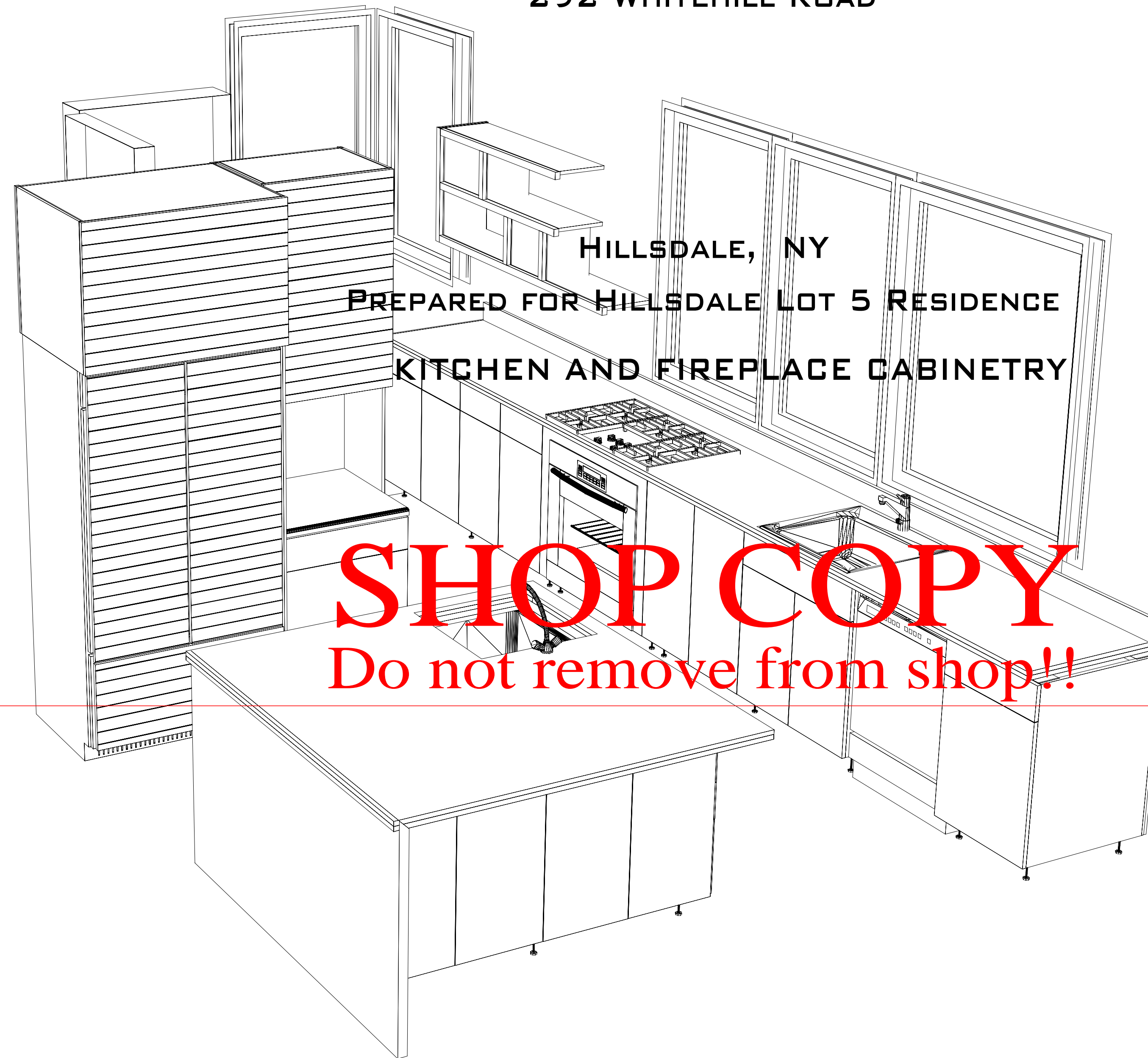


KITCHEN CABINETS

292 WHITEHILL ROAD



HILLSDALE, NY

PREPARED FOR HILLSDALE LOT 5 RESIDENCE

KITCHEN AND FIREPLACE CABINETS

APPROVED BY: _____

DATE: _____

Taghkanic Woodworking
 3144 RT 55
 Ramfang, NY 12564
 Phone: 845-855-5018 Fax: 845-855-5021
 Email: taghkanic@comcast.net

Name: Hillsdale Lot 5 Residence
 Address: 292 Whitehill Road
 City: Hillsdale State: NY

MAPLE INTERIORS RIFT
 WHITE OAK EXTERIORS.
 OAK EXTERIOR FINISH TO
 MATCH CLIENTS SAMPLE
 100LBS FULL EXTENSION
 UNDER MOUNT DRAWER
 SLIDES
 GRASS 110 DEG. EURO
 HINGE
 PULL OUT HARDWARE
 REV-A-SHELF PREMEIR
 SERIES
 COUNTERS BY OTHERS
 CORK BY OTHERS
 VINTAGE OAK AT SUB ZERO
 ELEVATION SUPPLIED BY
 OTHERS DOORS AND
 PANELS MANUFACTURED
 BY TAGHKANIC

Revisions:

6/9/09	

Job Title: COVER PAGE
 Kitchen cabinetry

Print Date:
 06/12/09

Job #: _____ Sheet #: **Sheet 1**

Taghkanic Woodworking

3144 RT 55
 Pawling, NY 12564
 Phone: 845-855-5018 Fax: 845-855-5021
 Email: taghkanic@comcast.net

Name: Hillsdale Lot 5 Residence
 Address: 292 Whitehill Road
 City: Hillsdale State: NY

- MAPLE INTERIORS RIFT WHITE OAK EXTERIORS.
- OAK EXTERIOR FINISH TO MATCH CLIENTS SAMPLE
- 100LBS FULL EXTENSION UNDER MOUNT DRAWER SLIDES
- GRASS 110 DEG. EURO HINGE
- PULL OUT HARDWARE REV-A-SHELF PREMIER SERIES
- COUNTERS BY OTHERS
- CORK BY OTHERS
- VINTAGE OAK AT SUB ZERO ELEVATION SUPPLIED BY OTHERS DOORS AND PANELS MANUFACTURED BY TAGHKANIC

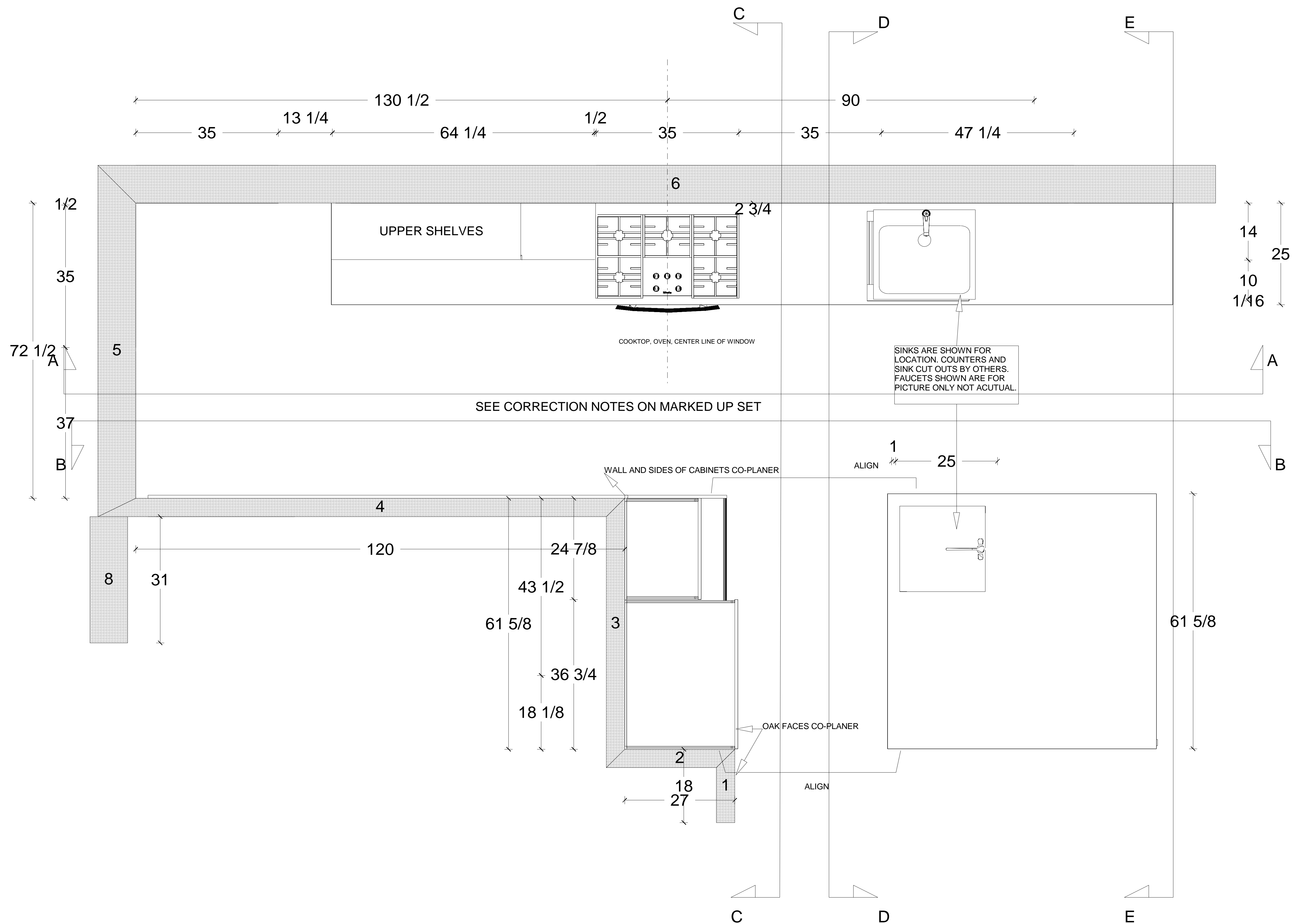
Revisions:

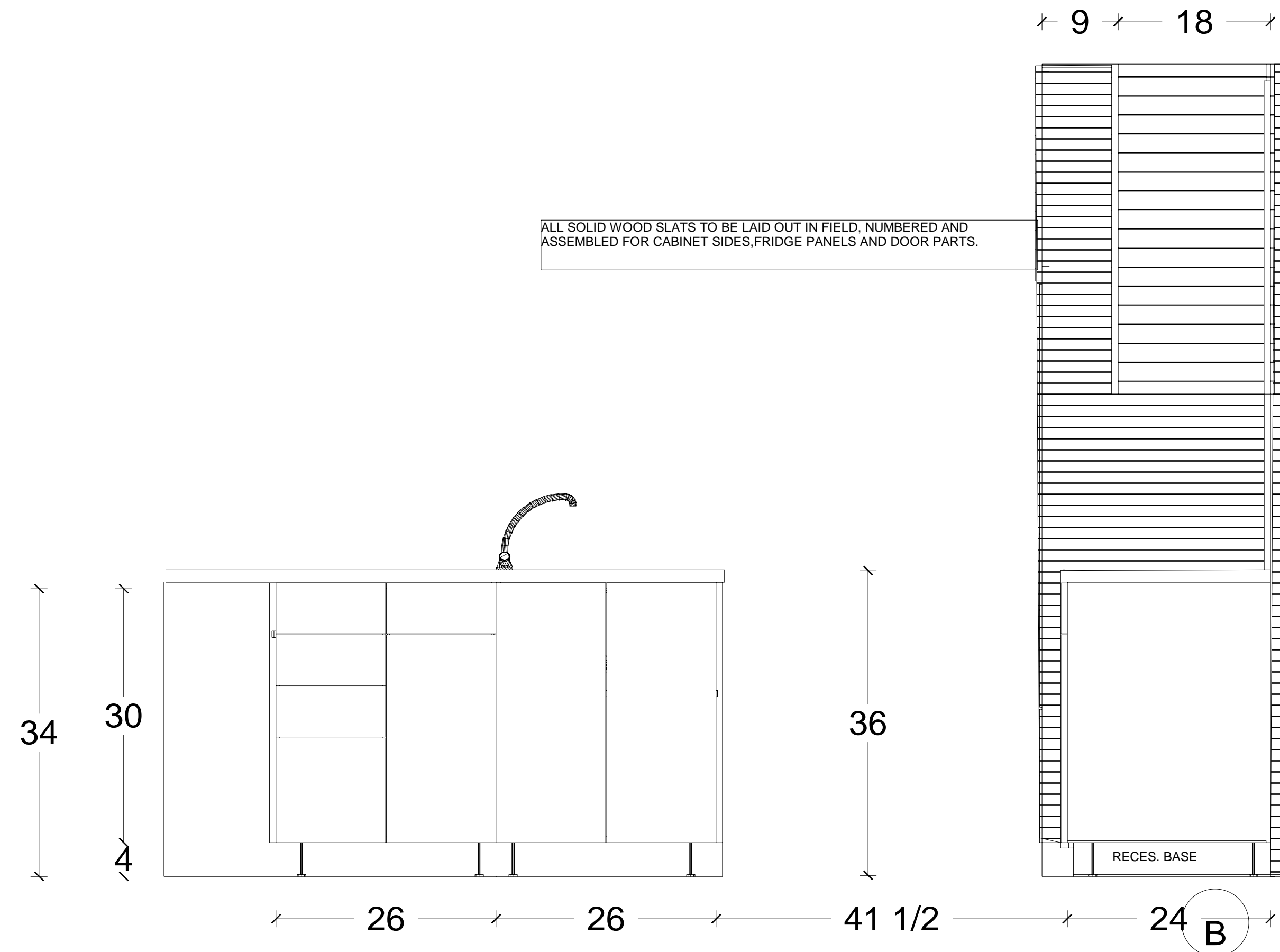
5/18/09	
6/9/09	

Job Title: PLAN VIEW AT KITCHEN
 Kitchen cabinetry

Print Date: 06/12/09

Job #: Sheet #: Sheet 2





Taghkanic Woodworking

3144 RT 55
 Pawling, NY 12564
 Phone: 845-855-5018 Fax: 845-855-5021
 Email: taghkanic@comcast.net

Name: Hillsdale Lot 5 Residence
 Address: 292 Whitehill Road
 City: Hillsdale State: NY

- MAPLE INTERIORS RIFT WHITE OAK EXTERIORS.
- OAK EXTERIOR FINISH TO MATCH CLIENTS SAMPLE
- 100LBS FULL EXTENSION UNDER MOUNT DRAWER SLIDES
- GRASS 110 DEG. EURO HINGE
- PULL OUT HARDWARE REV-A-SHELF PREMIER SERIES
- COUNTERS BY OTHERS
- CORK BY OTHERS
- VINTAGE OAK AT SUB ZERO ELEVATION SUPPLIED BY OTHERS DOORS AND PANELS MANUFACTURED BY TAGHKANIC

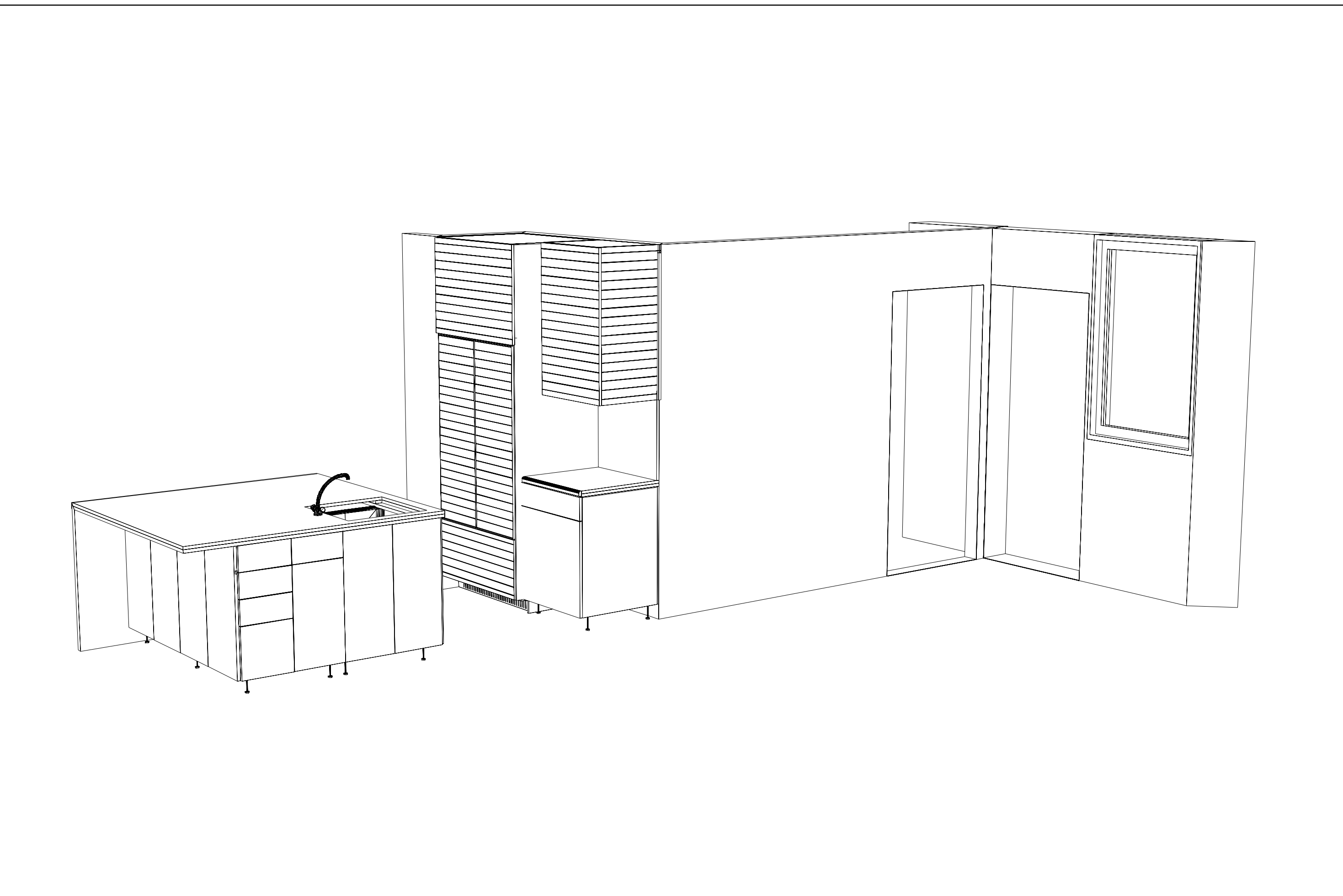
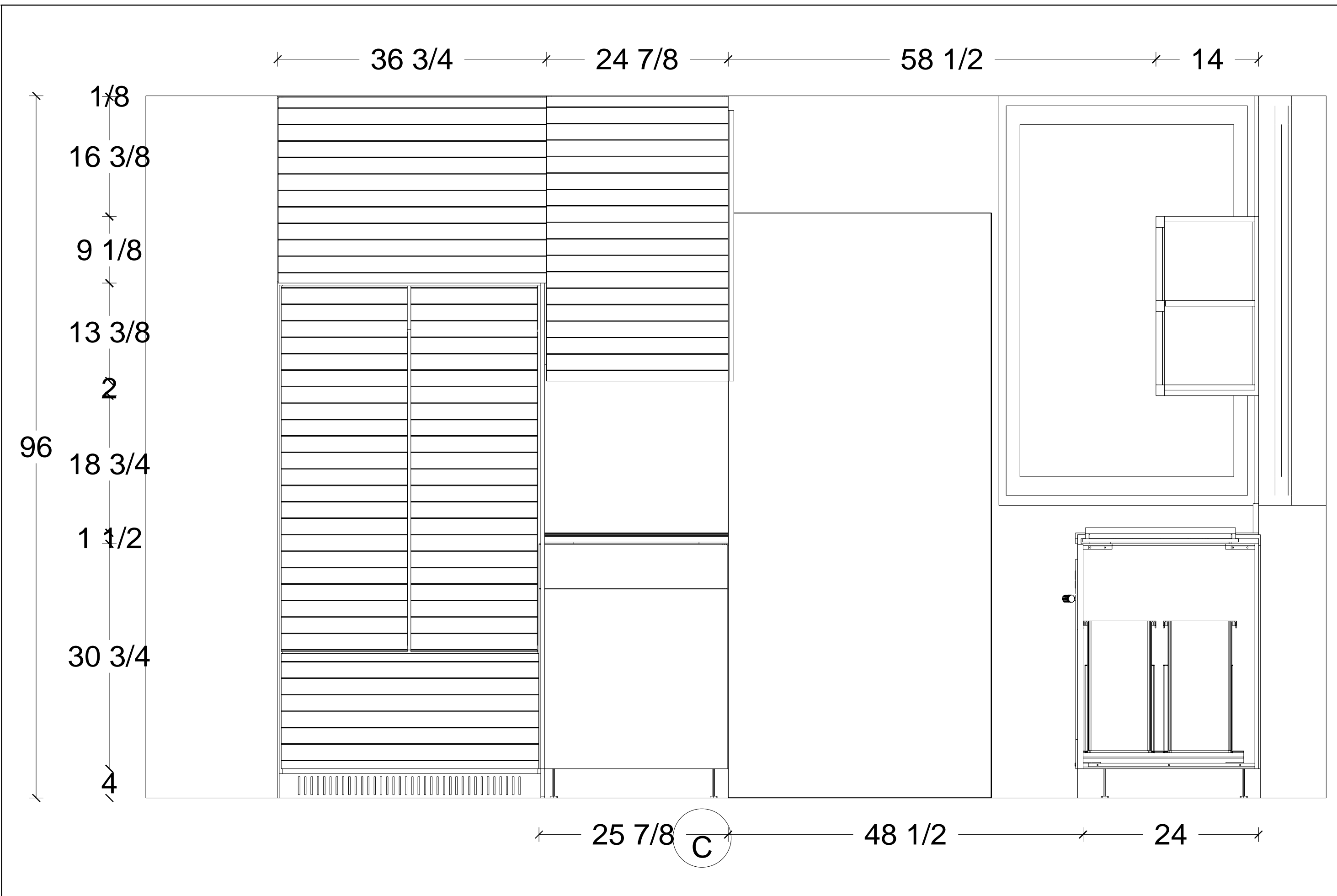
Revisions:

5/18/09	
6/9/09	

Job Title: ROOM ELEVATIONS
 Kitchen cabinetry

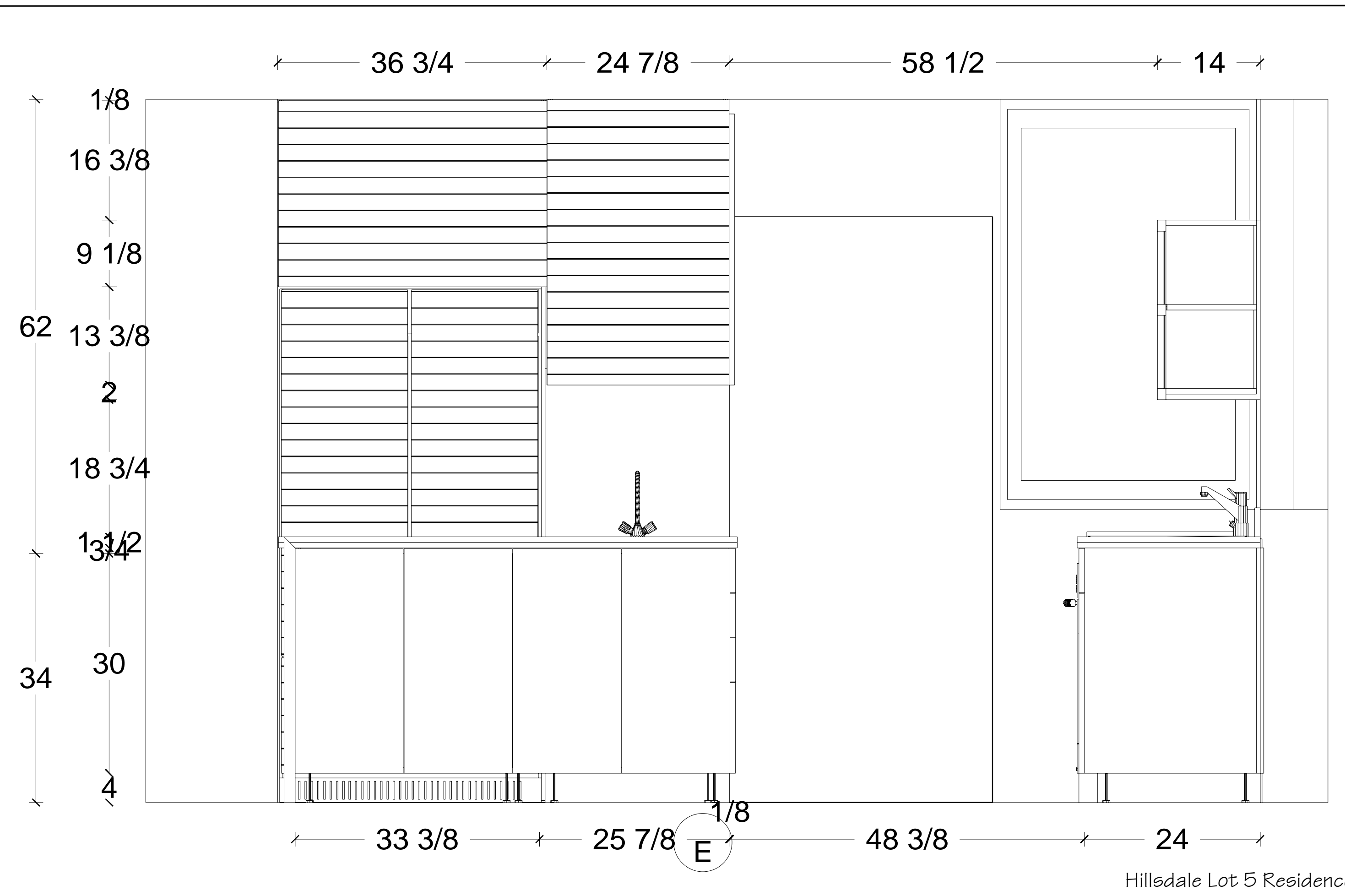
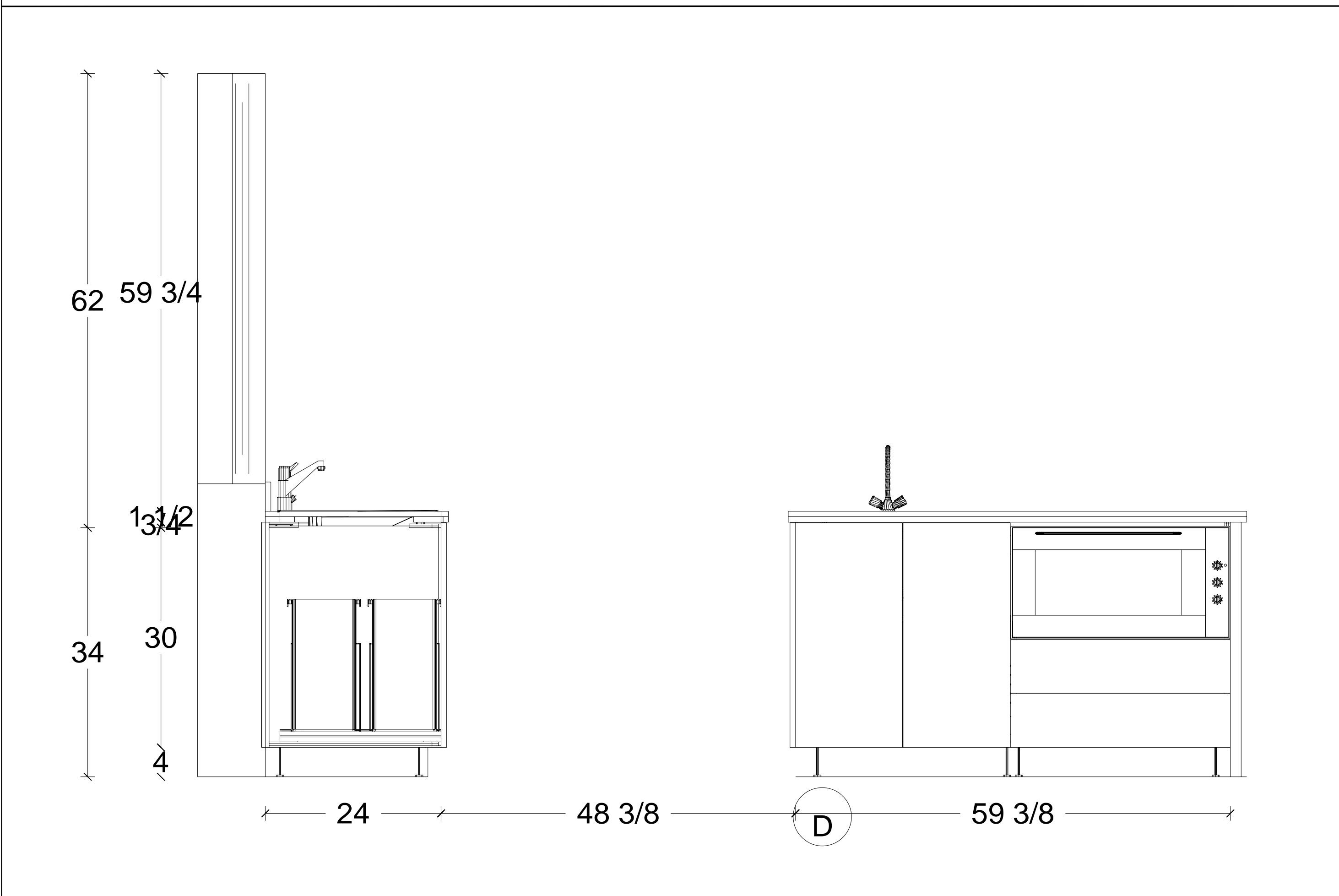
Print Date: 06/12/09

Job #: Sheet #: Sheet 3



Taghkanic Woodworking

3144 RT 55
 Pawling, NY 12564
 Phone: 845-855-5018 Fax: 845-855-5021
 Email: taghkanic@comcast.net



Name: Hillsdale Lot 5 Residence
 Address: 292 Whitehill Road
 City: Hillsdale State: NY

MAPLE INTERIORS RIFT
 WHITE OAK EXTERIORS.
 OAK EXTERIOR FINISH TO
 MATCH CLIENTS SAMPLE
 100LBS FULL EXTENSION
 UNDER MOUNT DRAWER
 SLIDES
 GRASS 110 DEG. EURO
 HINGE
 PULL OUT HARDWARE
 REV-A-SHELF PREMEIR
 SERIES
 COUNTERS BY OTHERS
 CORK BY OTHERS
 VINTAGE OAK AT SUB ZERO
 ELEVATION SUPPLIED BY
 OTHERS DOORS AND
 PANELS MANUFACTURED
 BY TAGHKANIC

Revisions:

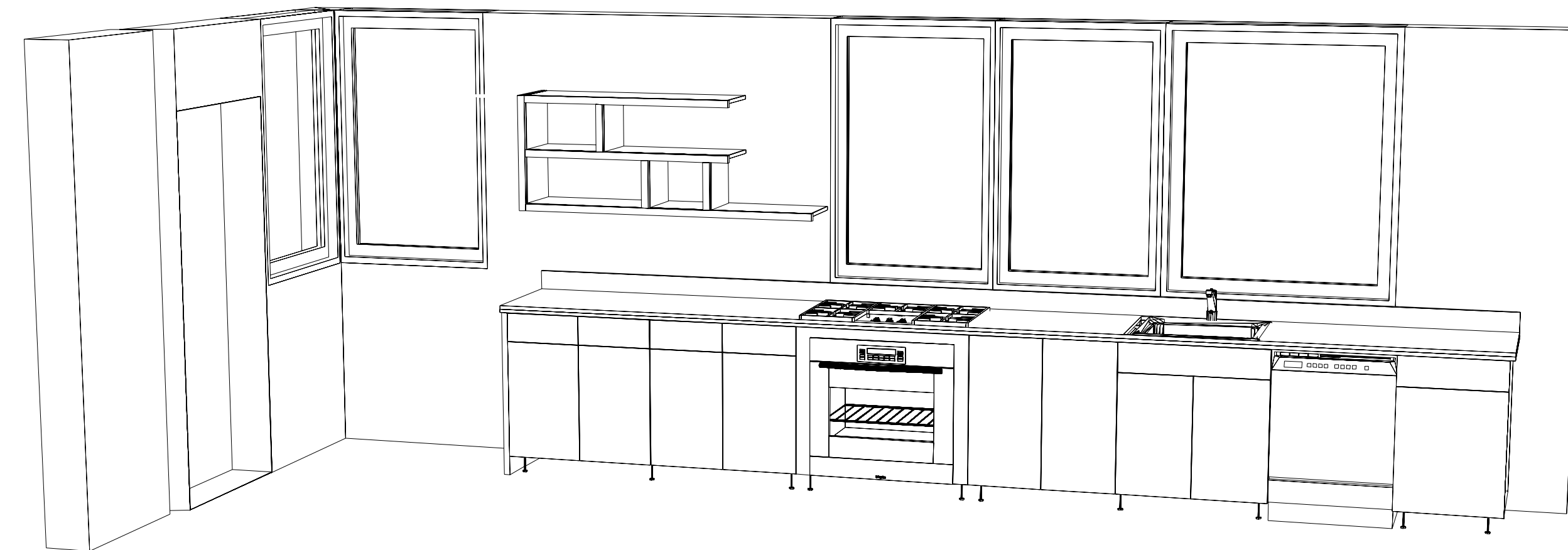
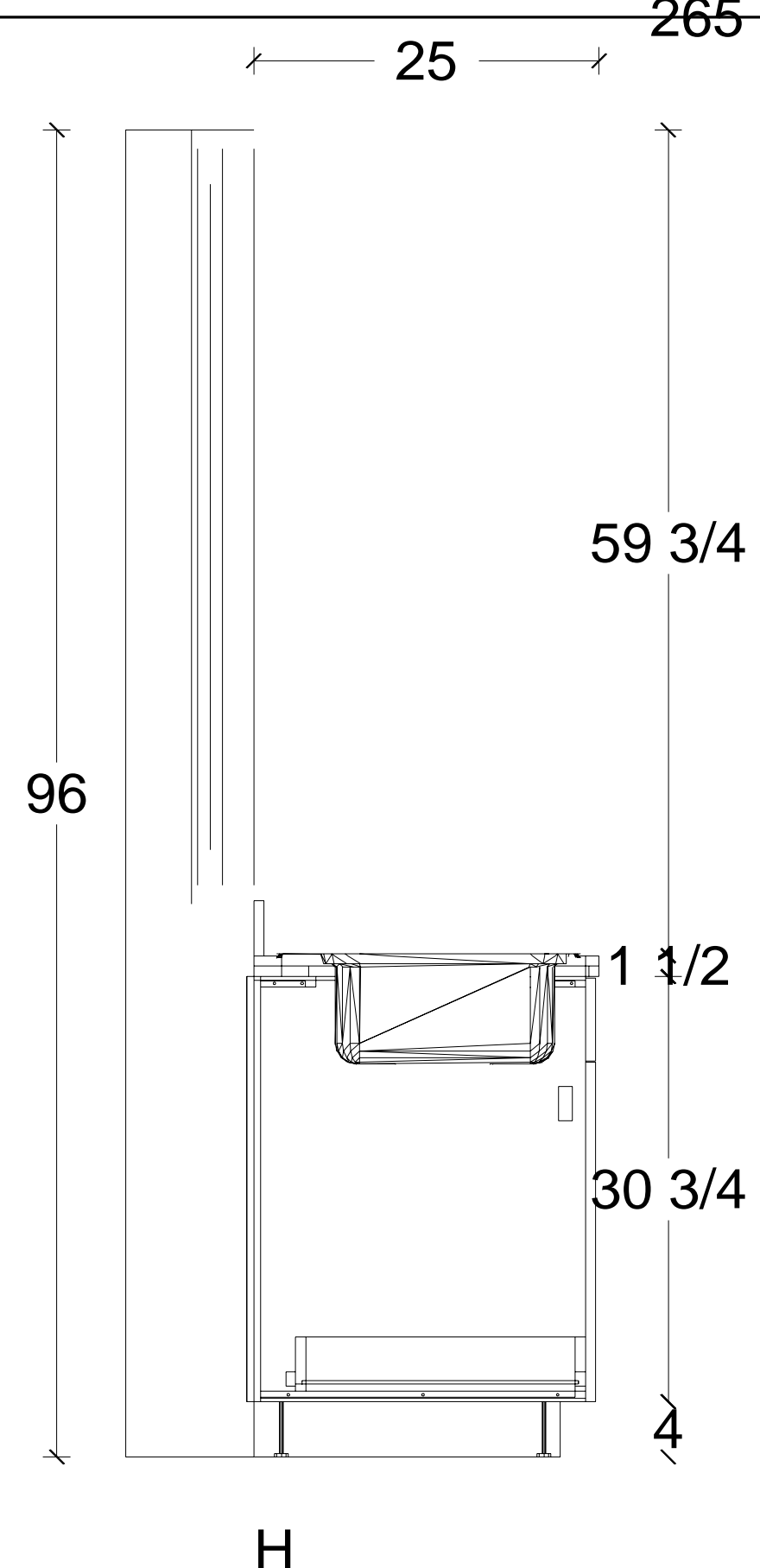
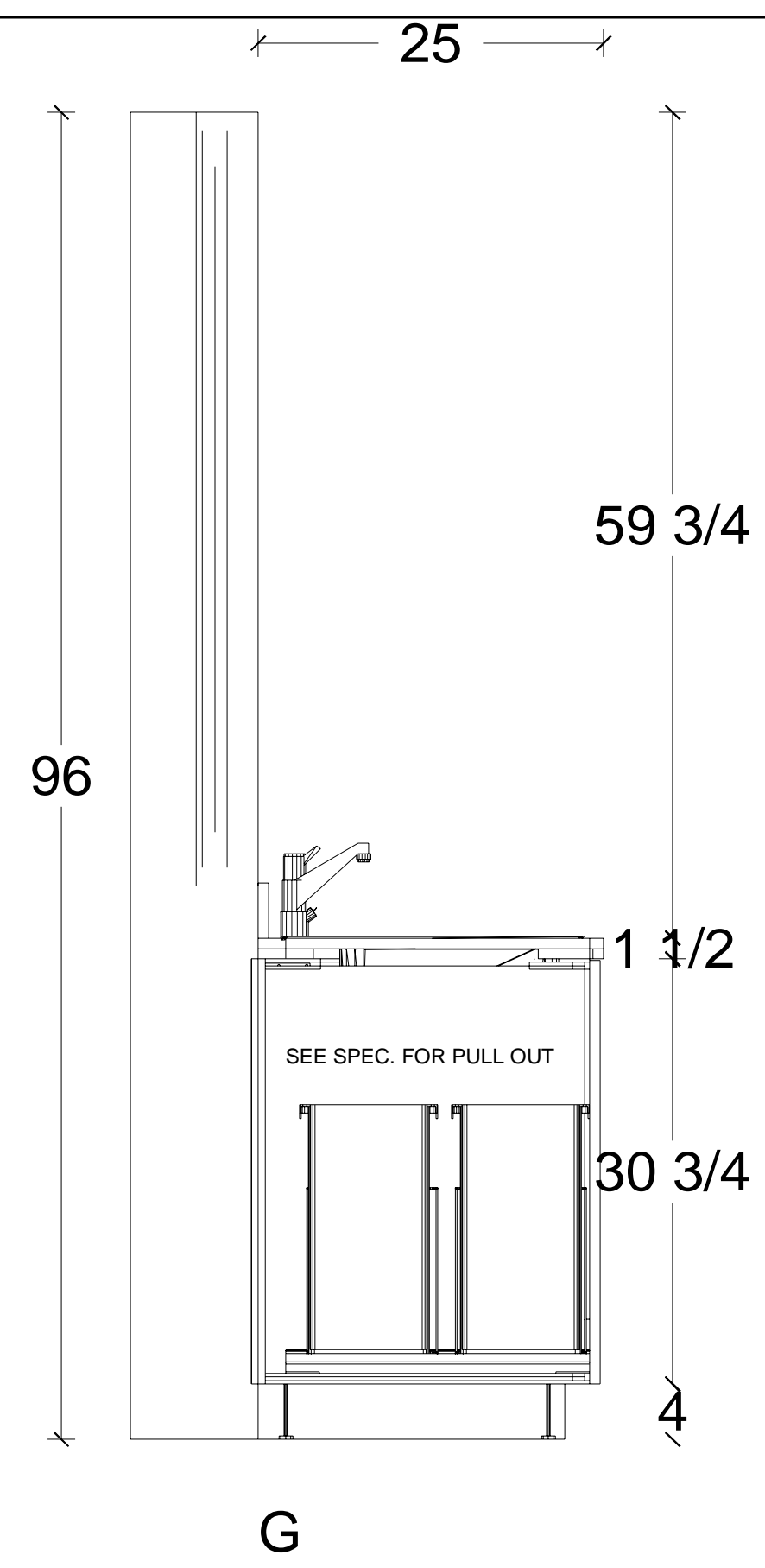
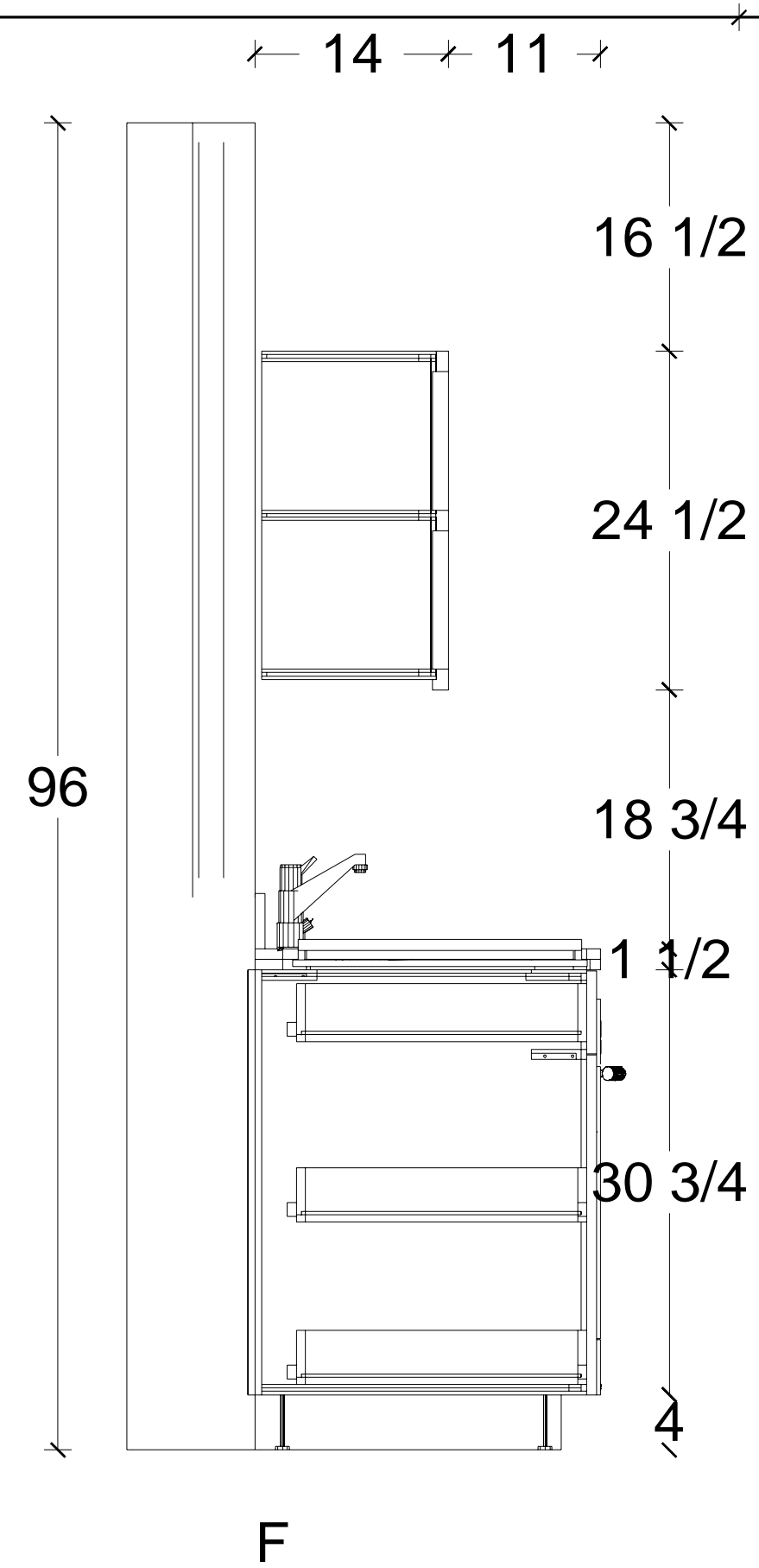
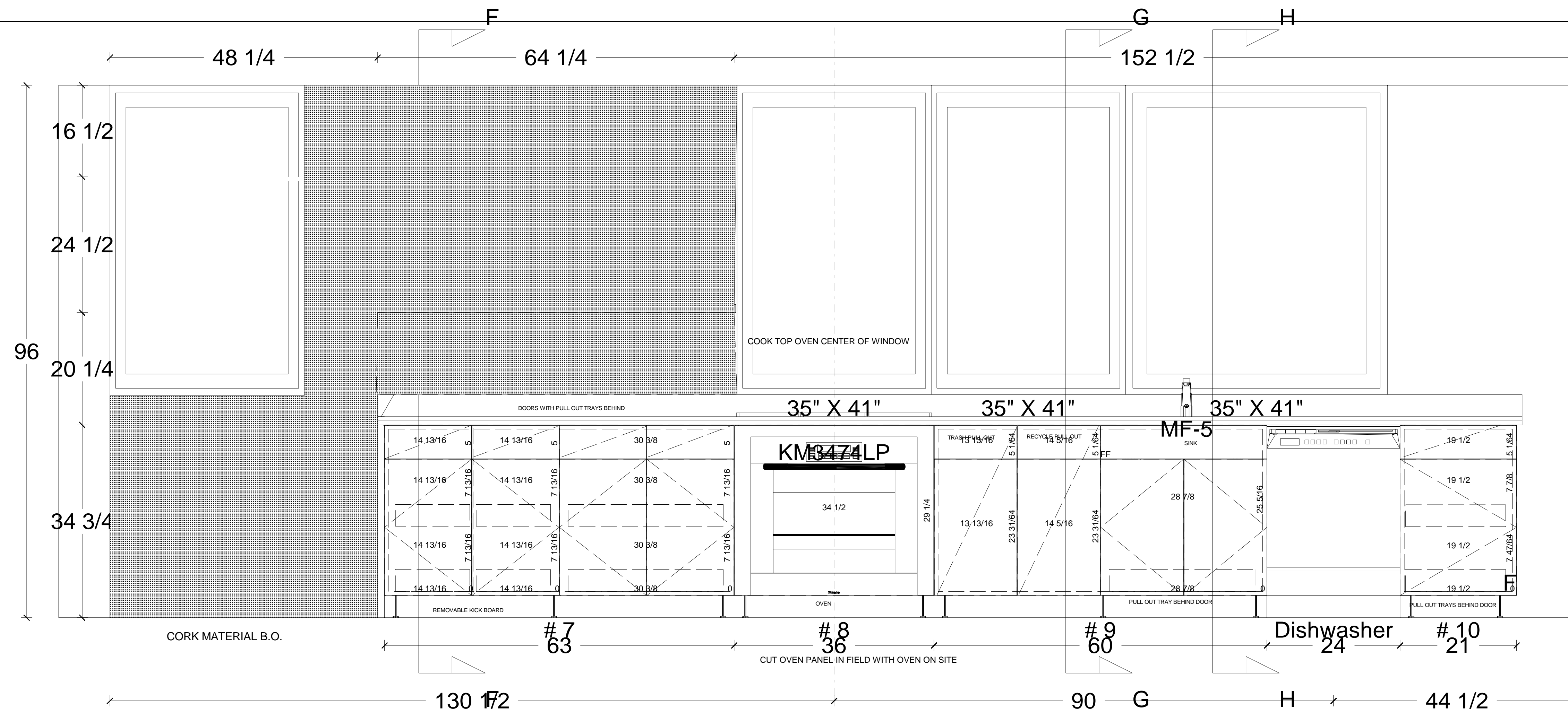
5/18/09	
6/9/09	

Job Title:
 ROOM ELEVATIONS AND 3-D
 Kitchen cabinetry

Print Date:
 06/12/09

Job #:
 Hillsdale Lot 5 Residence

Sheet #:
 Sheet 4



Taghkanic Woodworking
 3144 RT 55
 Ramfang, NY 12564
 Phone: 845-855-5018 Fax: 845-855-5021
 Email: taghkanic@comcast.net

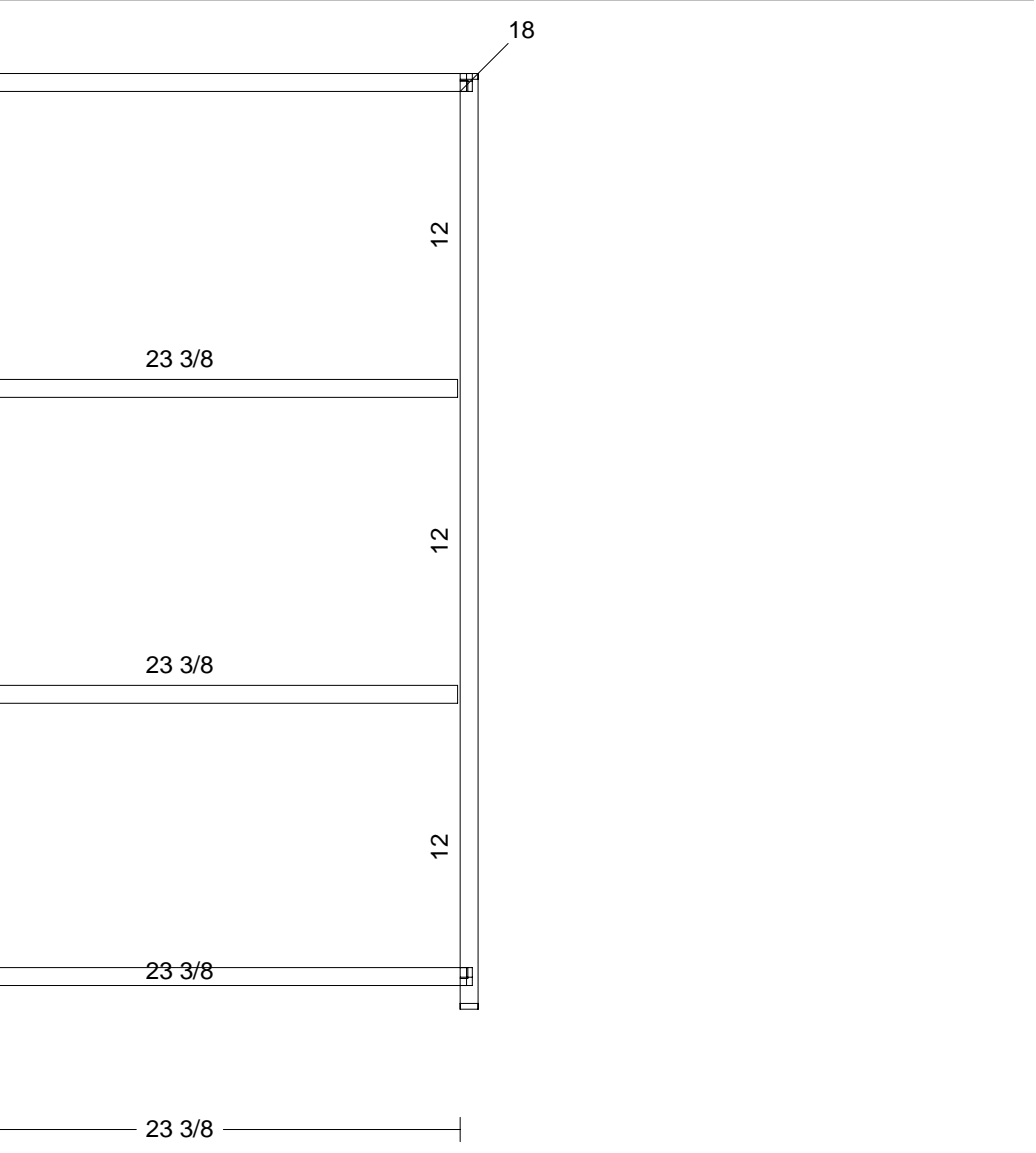
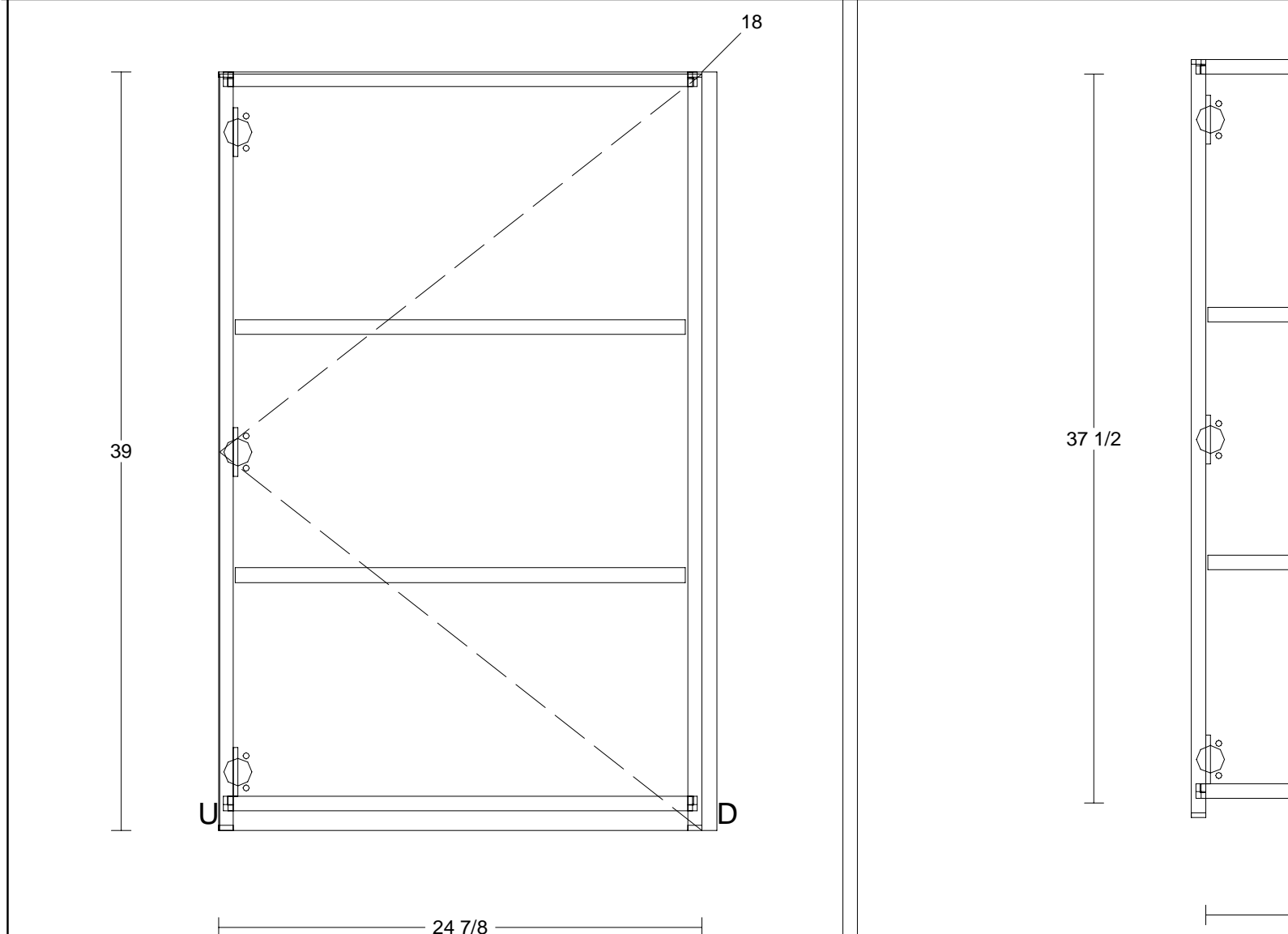
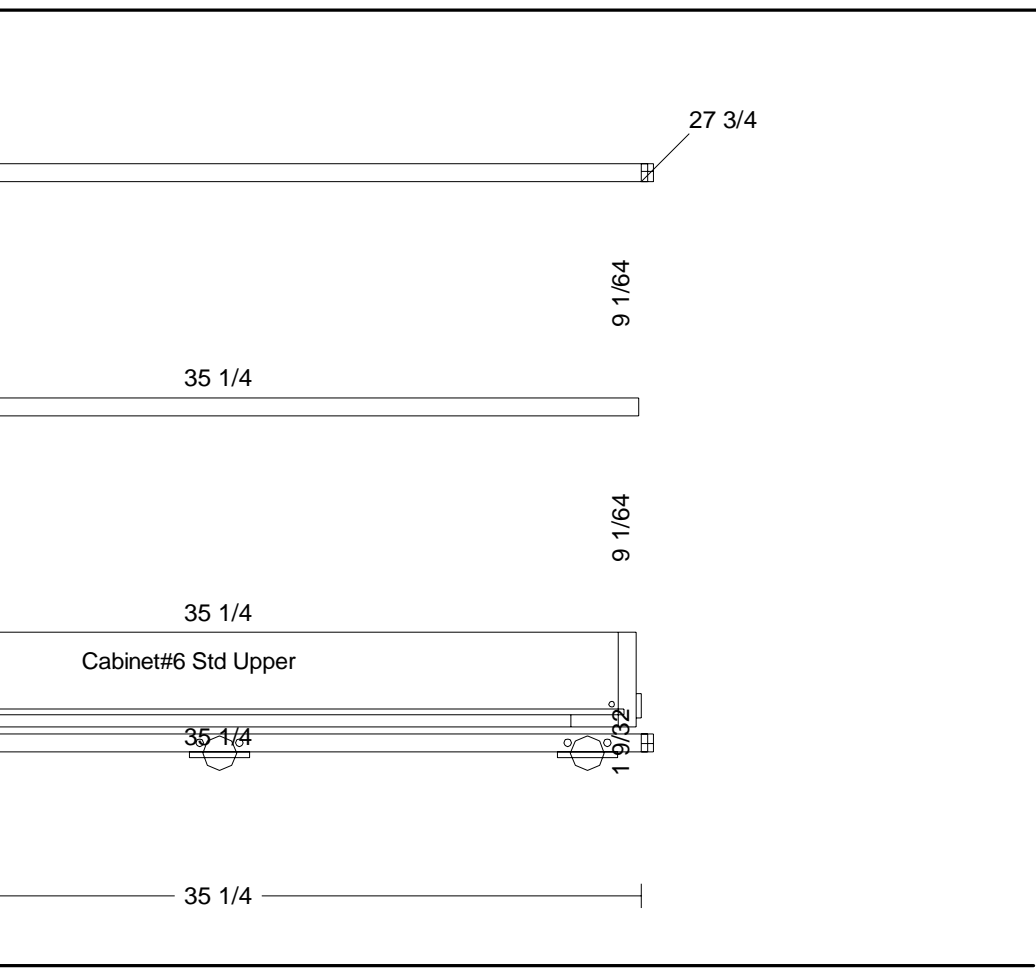
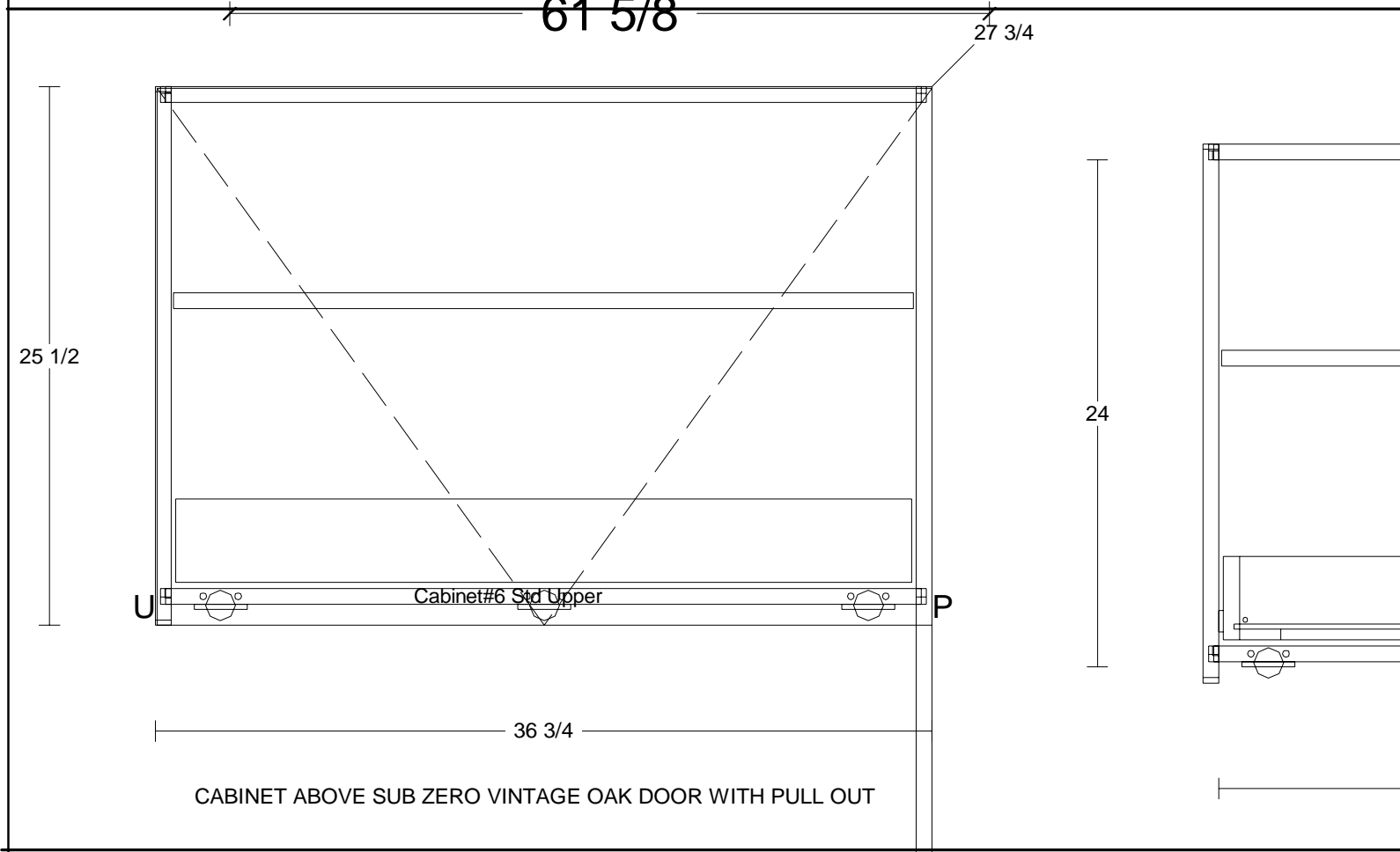
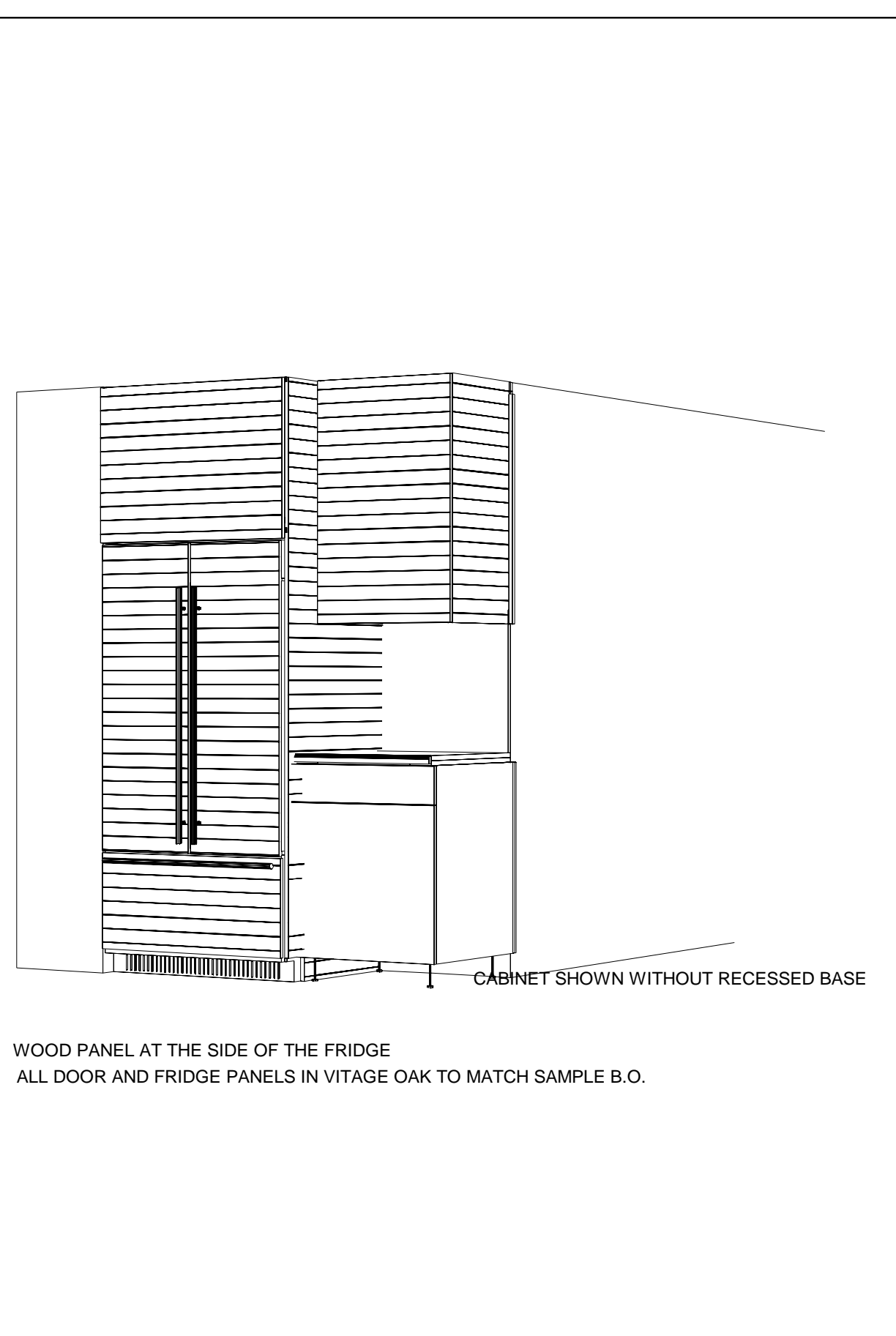
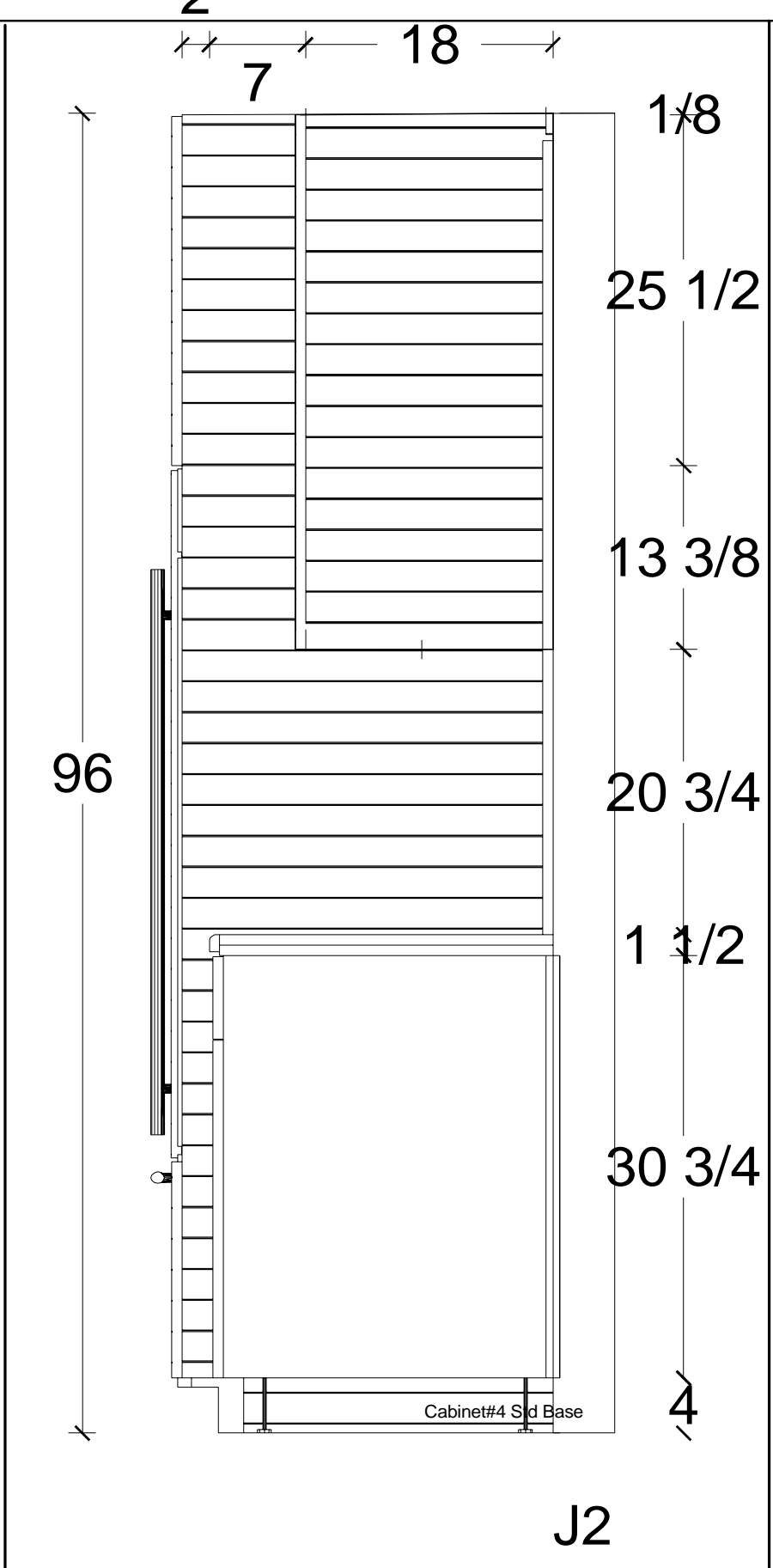
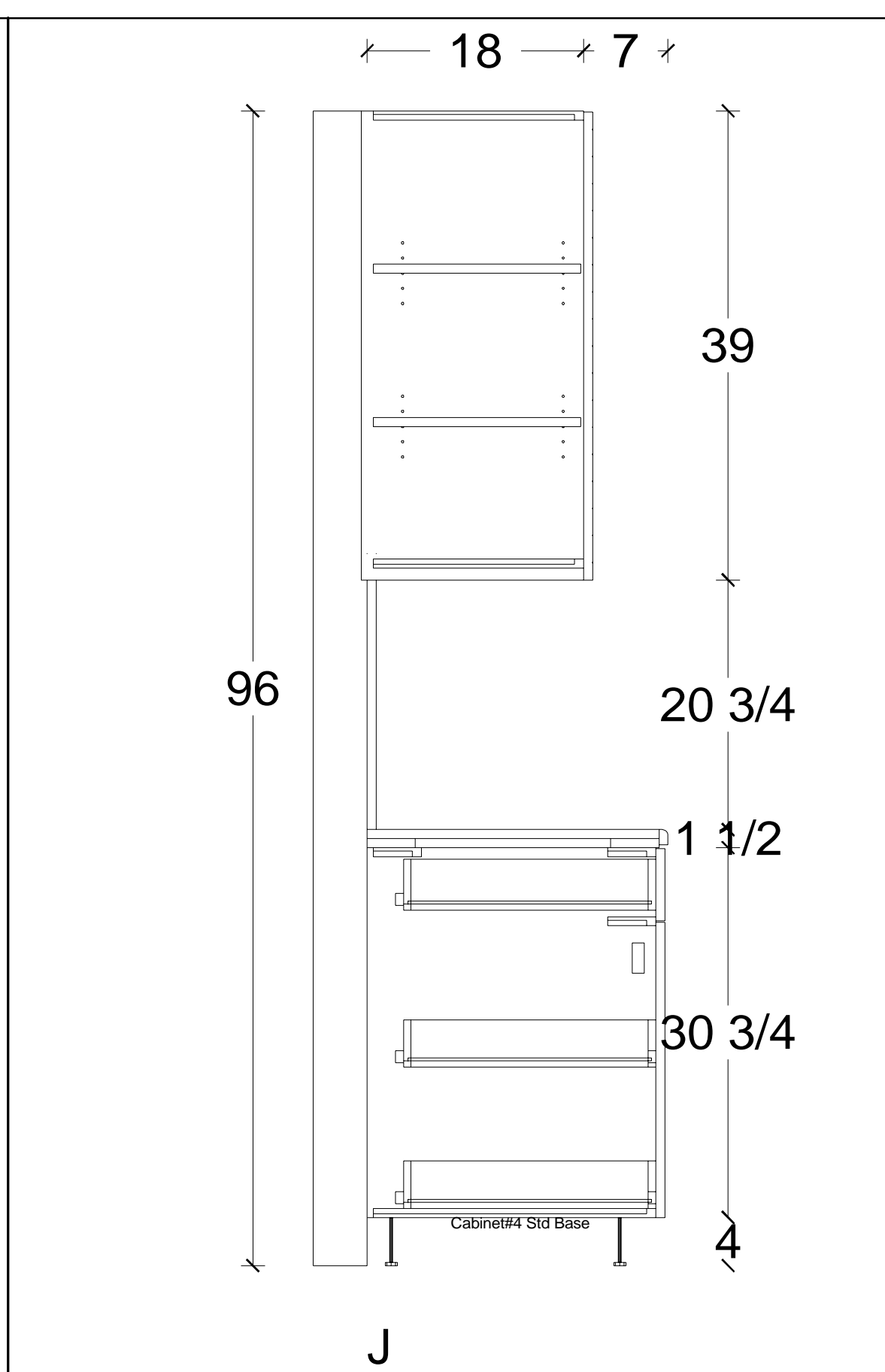
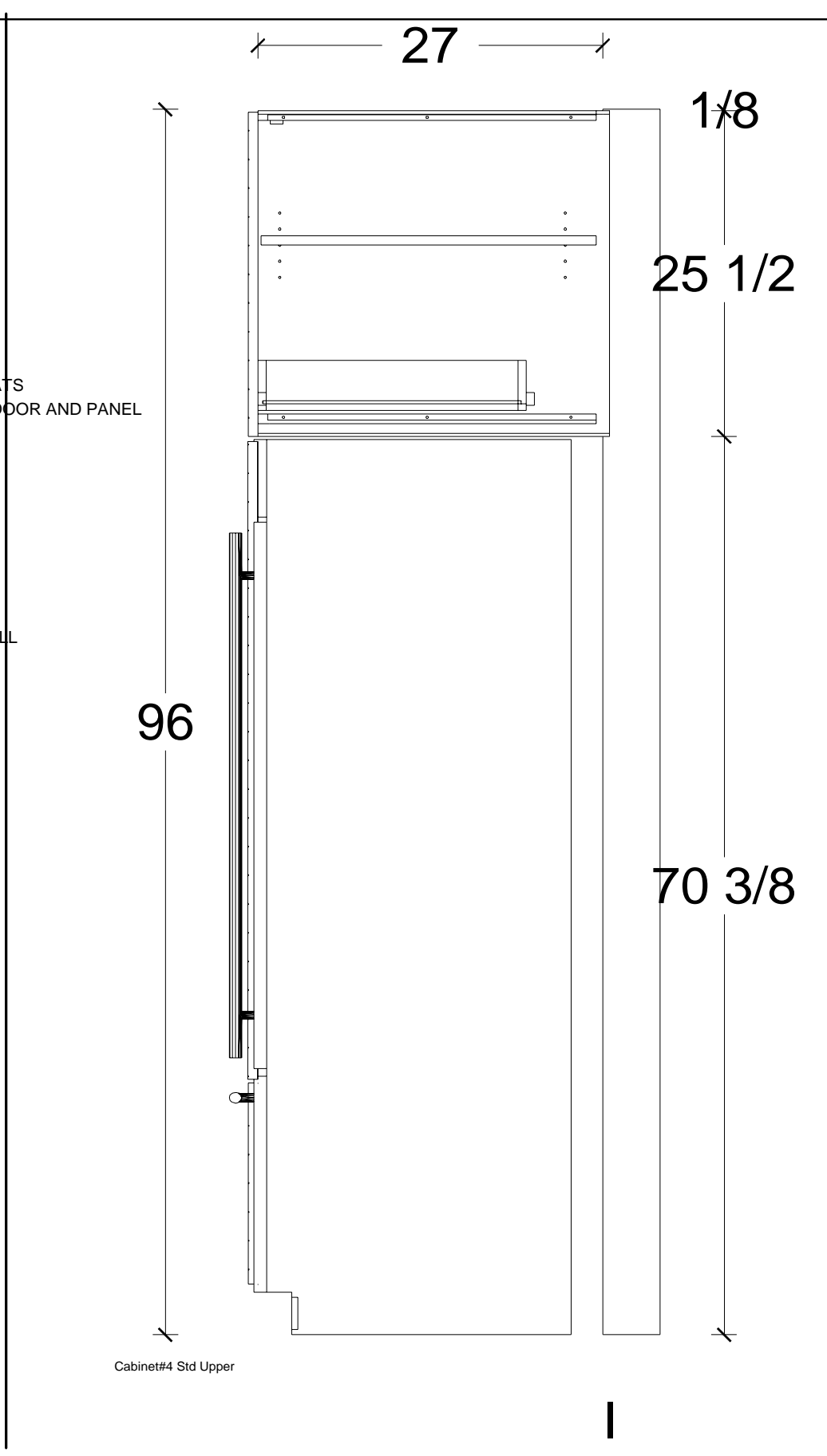
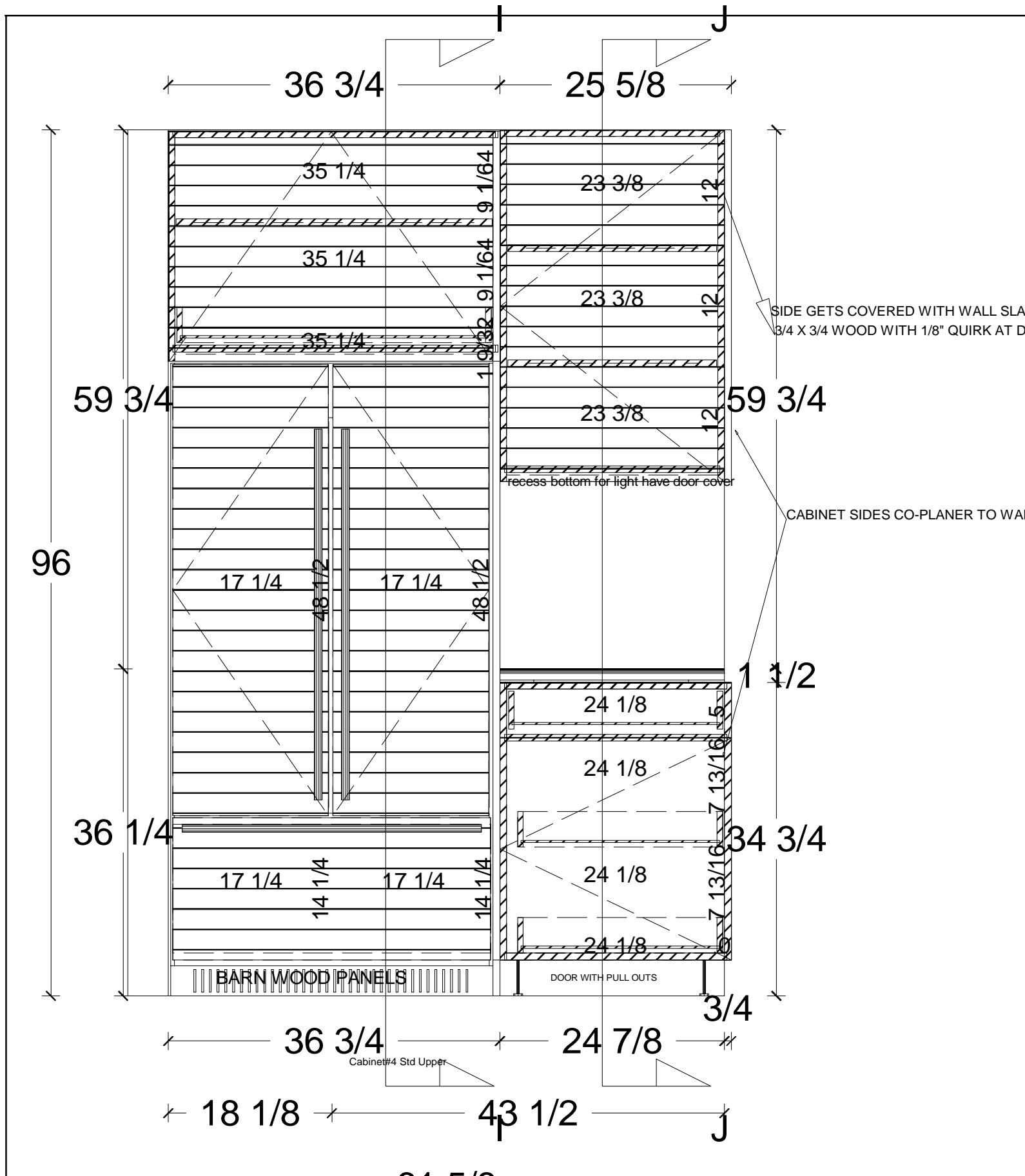
Name: Hillsdale Lot 5 Residence
 Address: 292 Whitehill Road
 City: Hillsdale State: NY

MAPLE INTERIORS RIFT WHITE OAK EXTERIORS.
 OAK EXTERIOR FINISH TO MATCH CLIENTS SAMPLE
 100LBS FULL EXTENSION UNDER MOUNT DRAWER SLIDES
 GRASS 110 DEG. EURO HINGE
 PULL OUT HARDWARE REV-A-SHELF PREMIER SERIES
 COUNTERS BY OTHERS
 CORK BY OTHERS
 VINTAGE OAK AT SUB ZERO ELEVATION SUPPLIED BY OTHERS DOORS AND PANELS MANUFACTURED BY TAGHKANIC

Revisions:

5/18/09	
6/9/09	

Job Title: WALL ELEVATIONS AND SEC.
 Kitchen cabinetry
 Print Date: 06/12/09
 Hillsdale Lot 5 Residence
 Sheet #: Sheet 5



Taghkanic Woodworking

3144 RT 55
 Pawling, NY 12564
 Phone: 845-855-5018 Fax: 845-855-5021
 Email: taghkanic@comcast.net

Name: Hillsdale Lot 5 Residence
 Address: 292 Whitehill Road
 City: Hillsdale State: NY

MAPLE INTERIORS RIFT
 WHITE OAK EXTERIORS.
 OAK EXTERIOR FINISH TO
 MATCH CLIENTS SAMPLE
 100LBS FULL EXTENSION
 UNDER MOUNT DRAWER
 SLIDES
 GRASS 110 DEG. EURO
 HINGE
 PULL OUT HARDWARE
 REV-A-SHELF PREMIER
 SERIES
 COUNTERS BY OTHERS
 CORK BY OTHERS
 VINTAGE OAK AT SUB ZERO
 ELEVATION SUPPLIED BY
 OTHERS DOORS AND
 PANELS MANUFACTURED
 BY TAGHKANIC

Revisions:

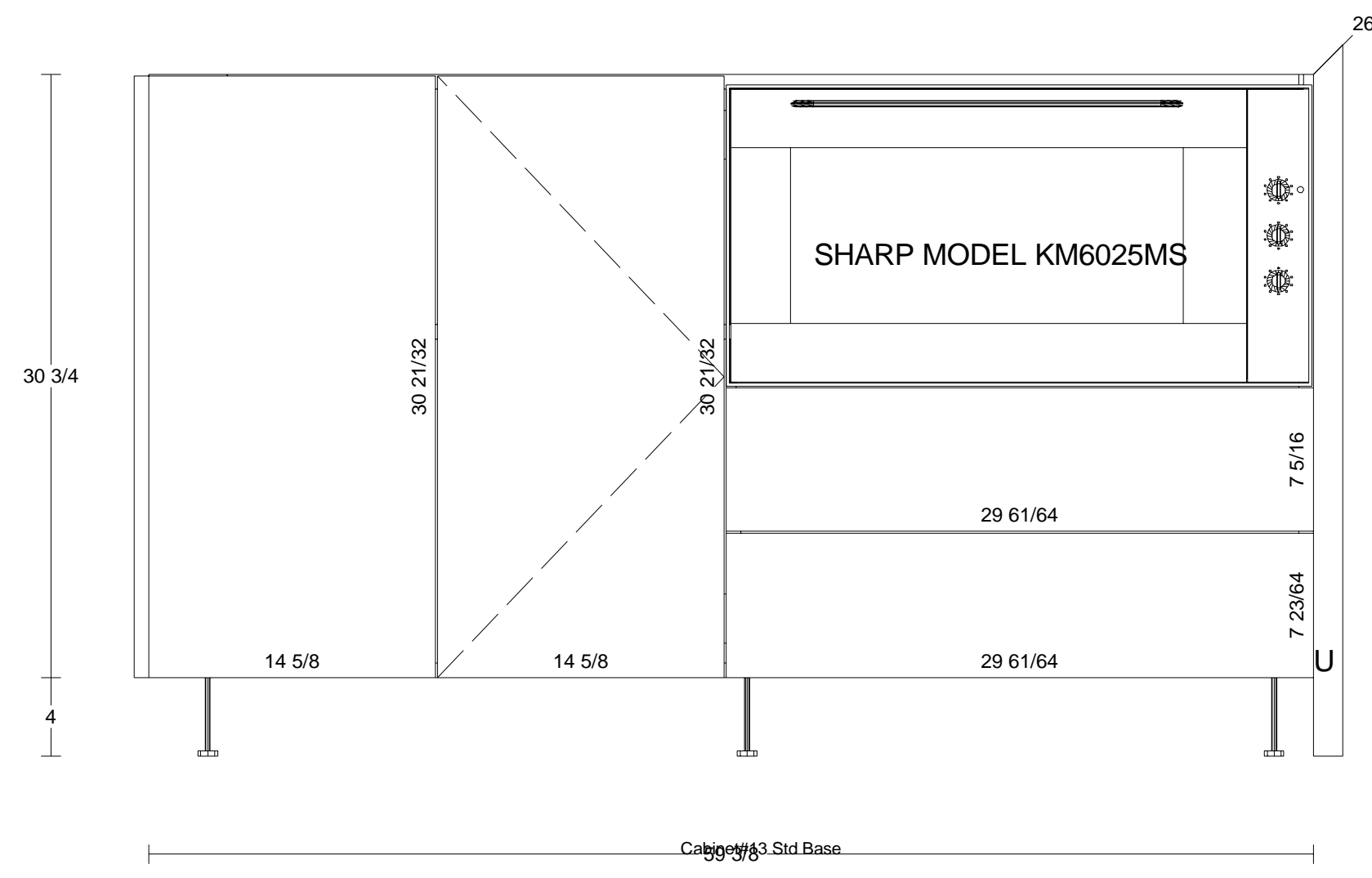
5/18/09	
6/9/09	

Job Title:
 WALL ELEVATIONS AND SEC.
 Kitchen cabinetry

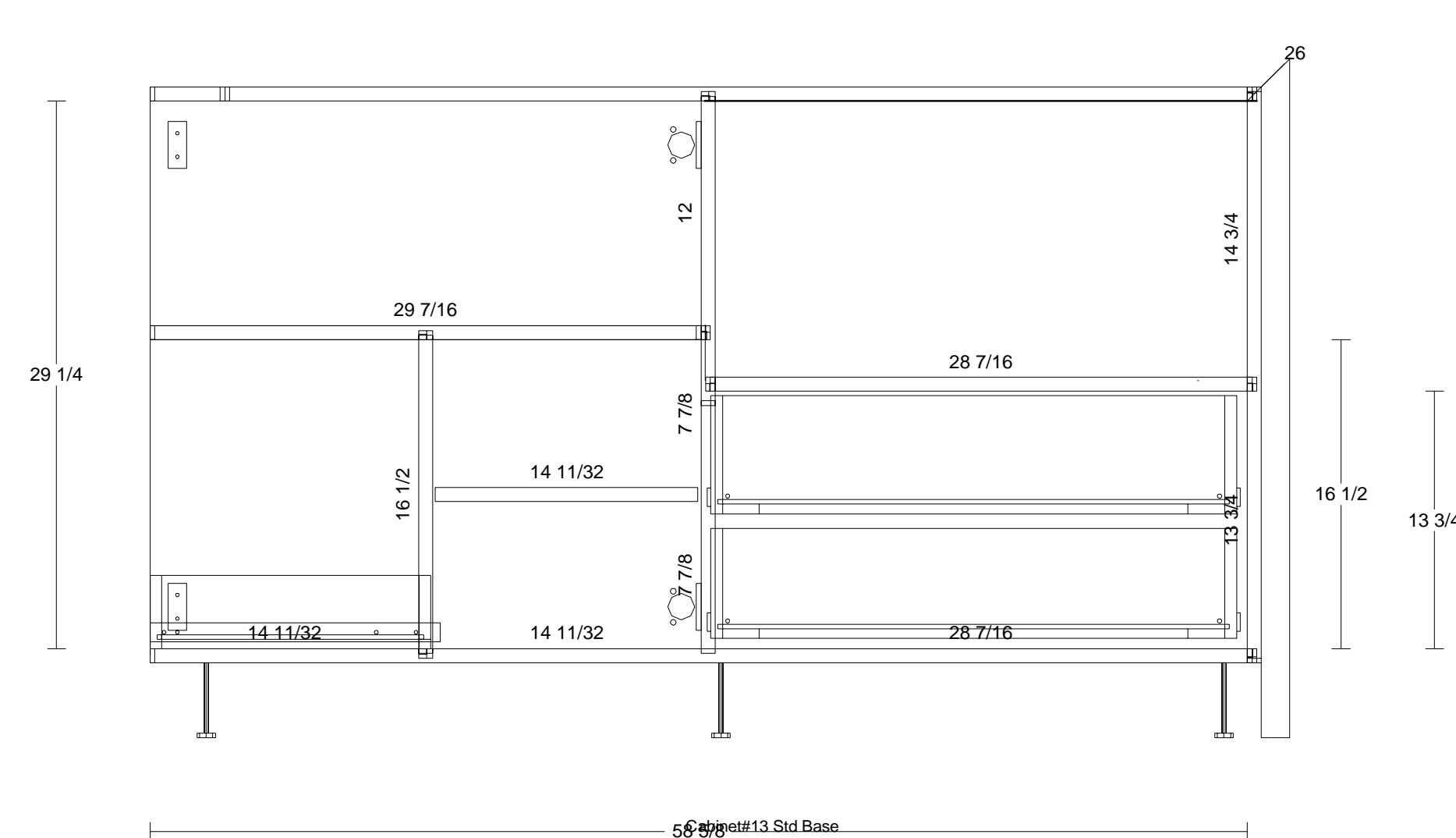
Print Date:
 06/12/09

Job #: Sheet #:
 Hillsdale Lot 5 Residence Sheet 6

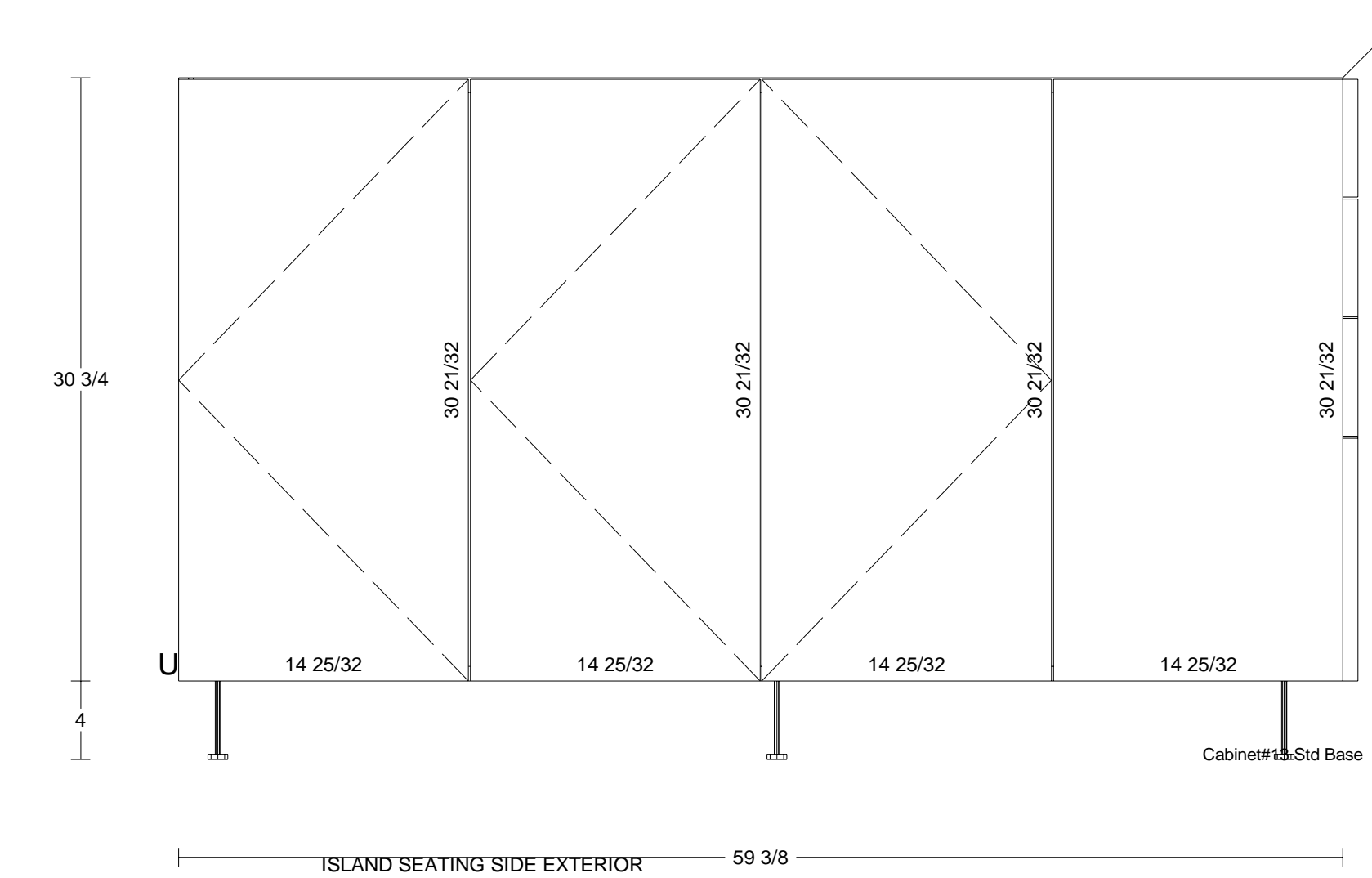
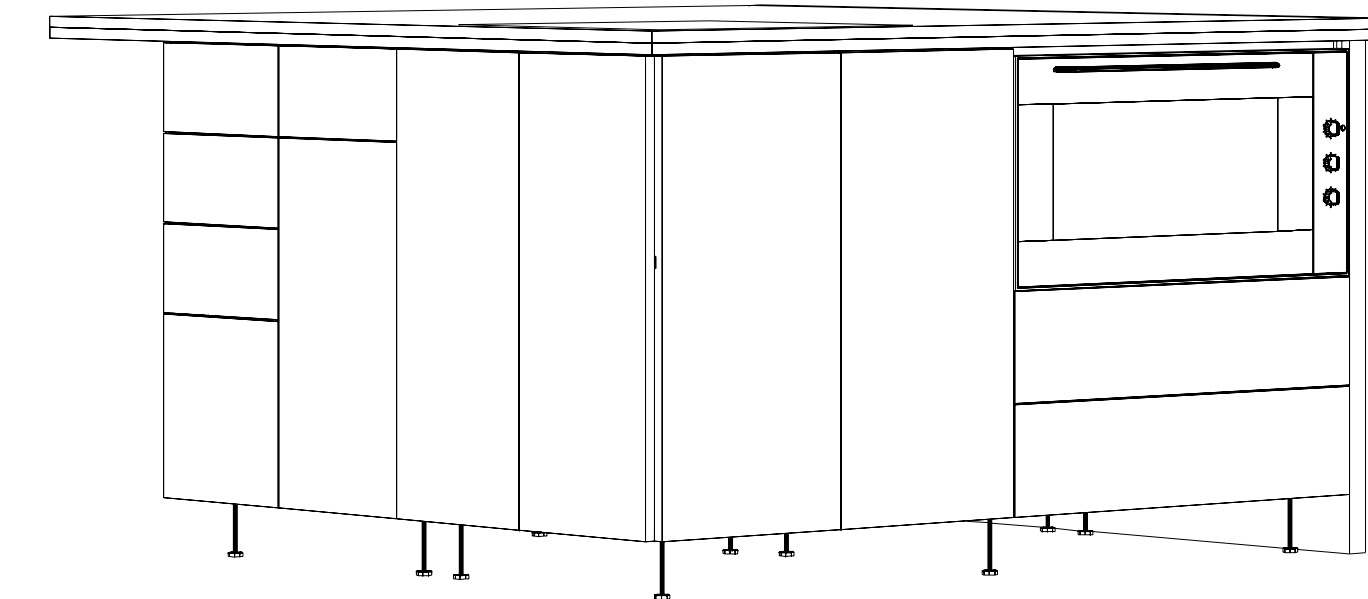
PLEASE SPECIFY MICROWAVE PULL OUT HARDWARE IF YOU HAVE SOMTHING IN MIND.



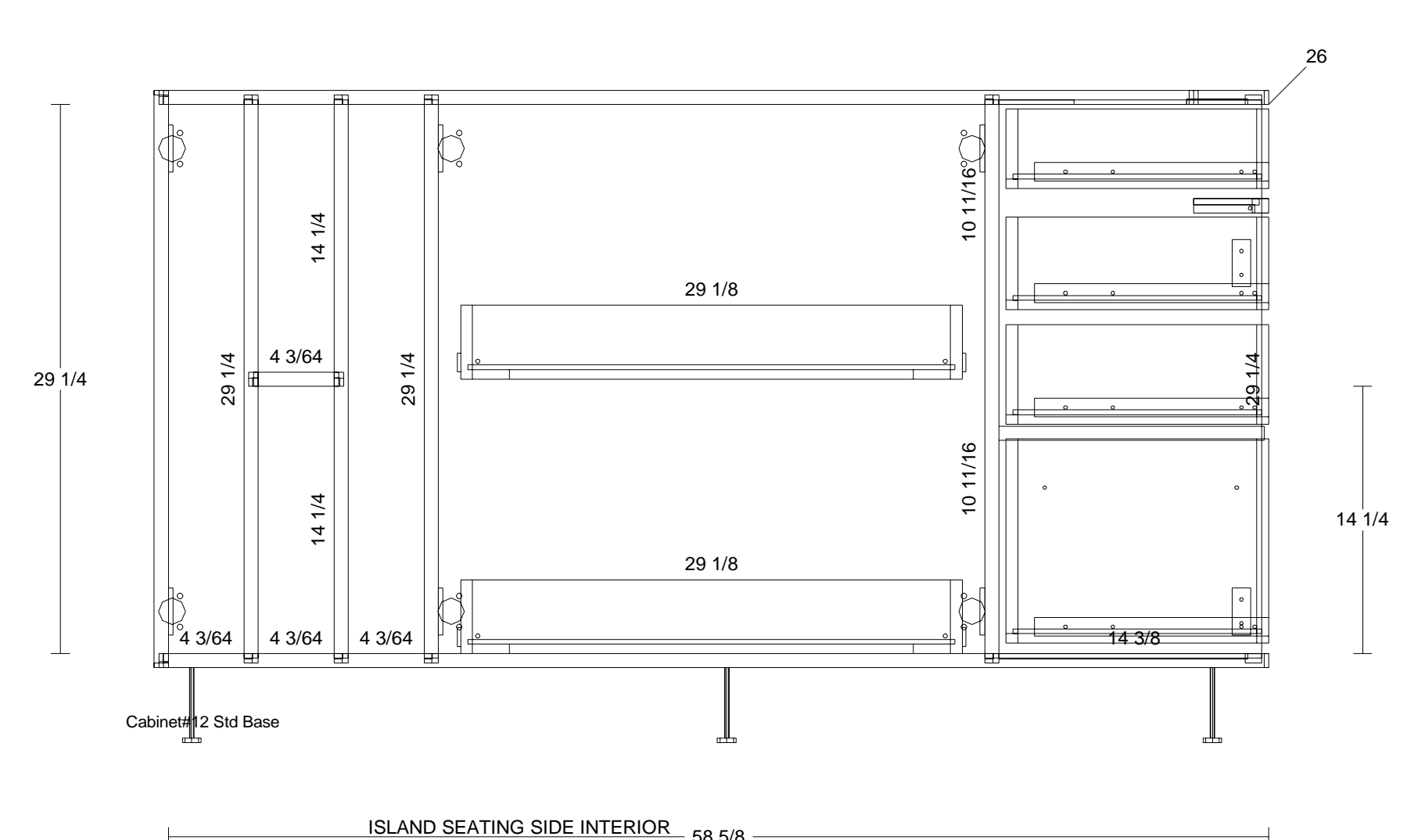
ISLAND MICROWAVE ELEVATION EXTERIOR



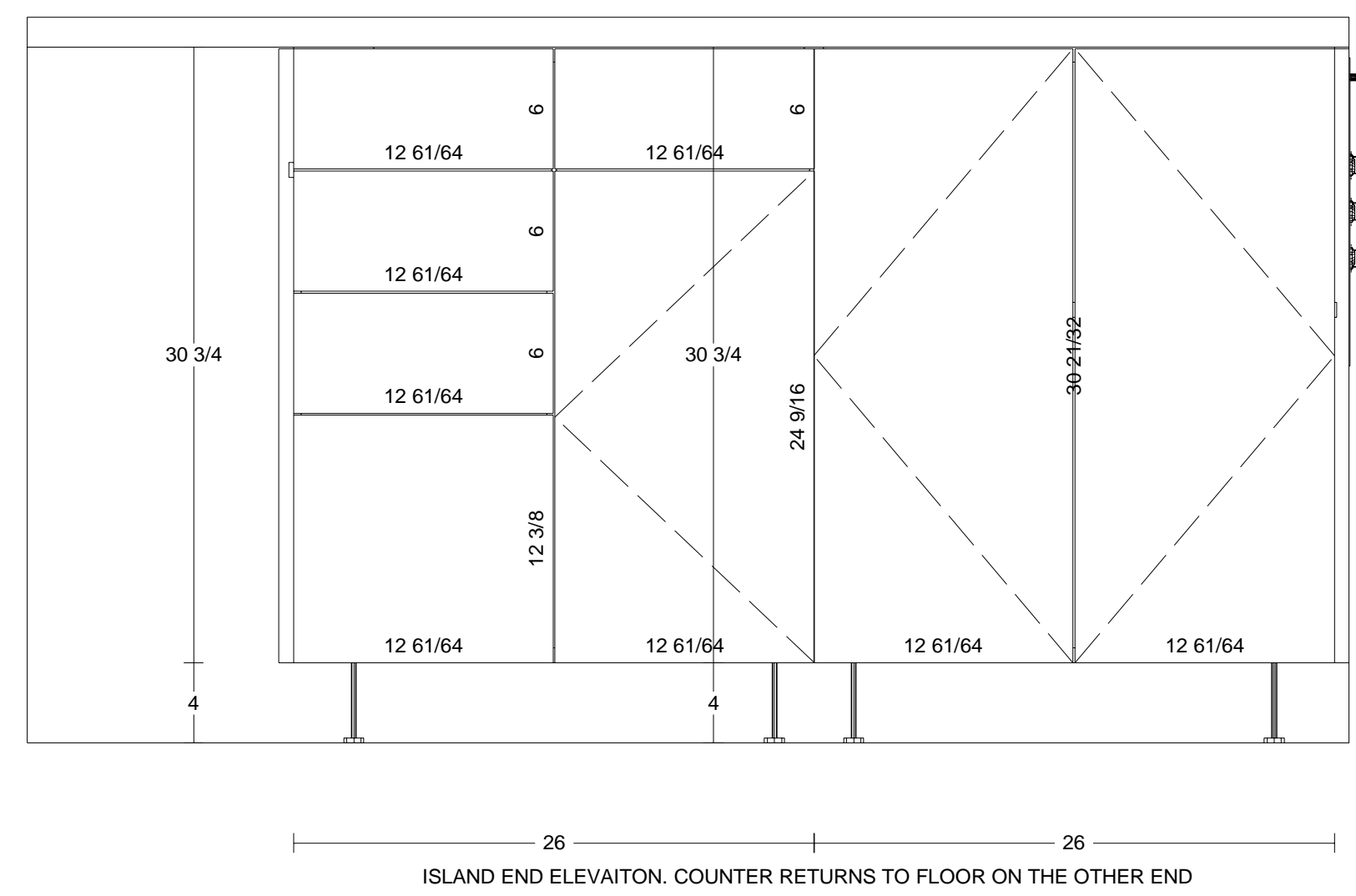
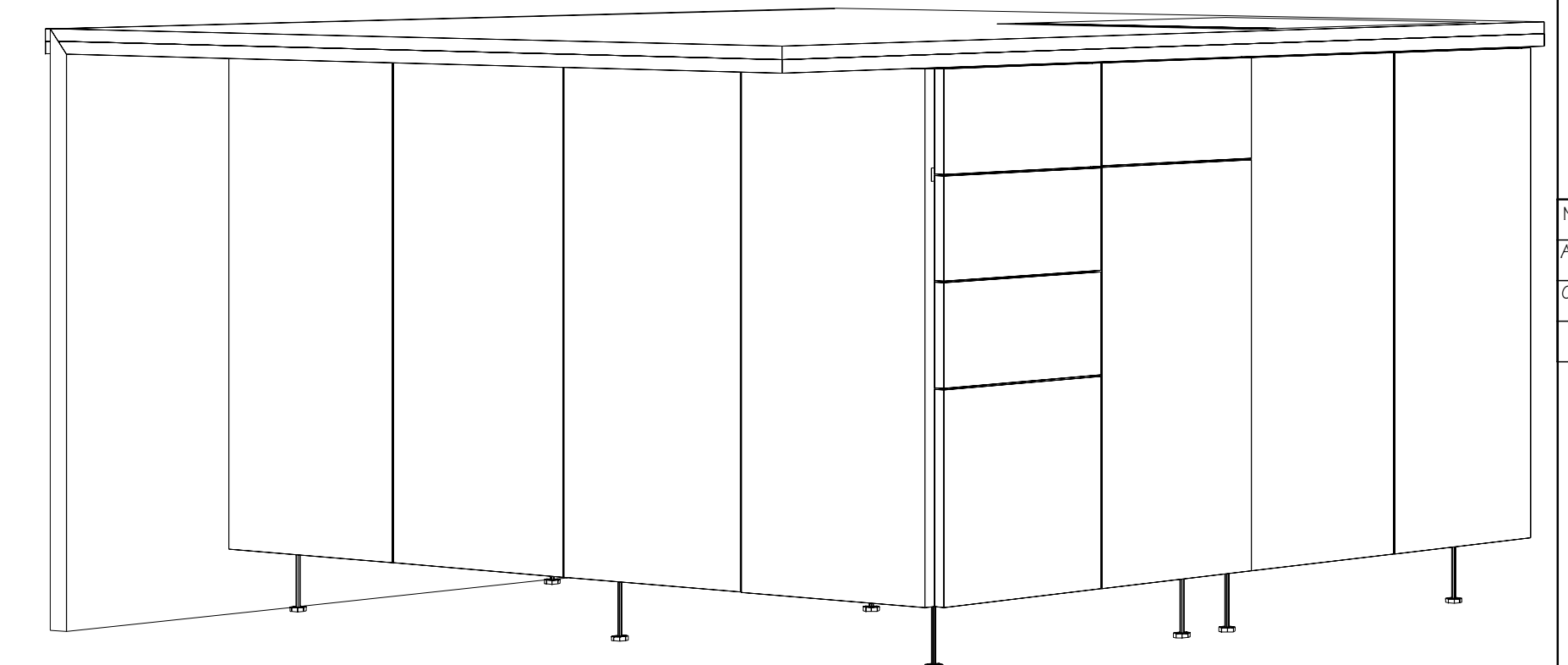
ISLAND MICROWAVE ELEVATION INTERIOR



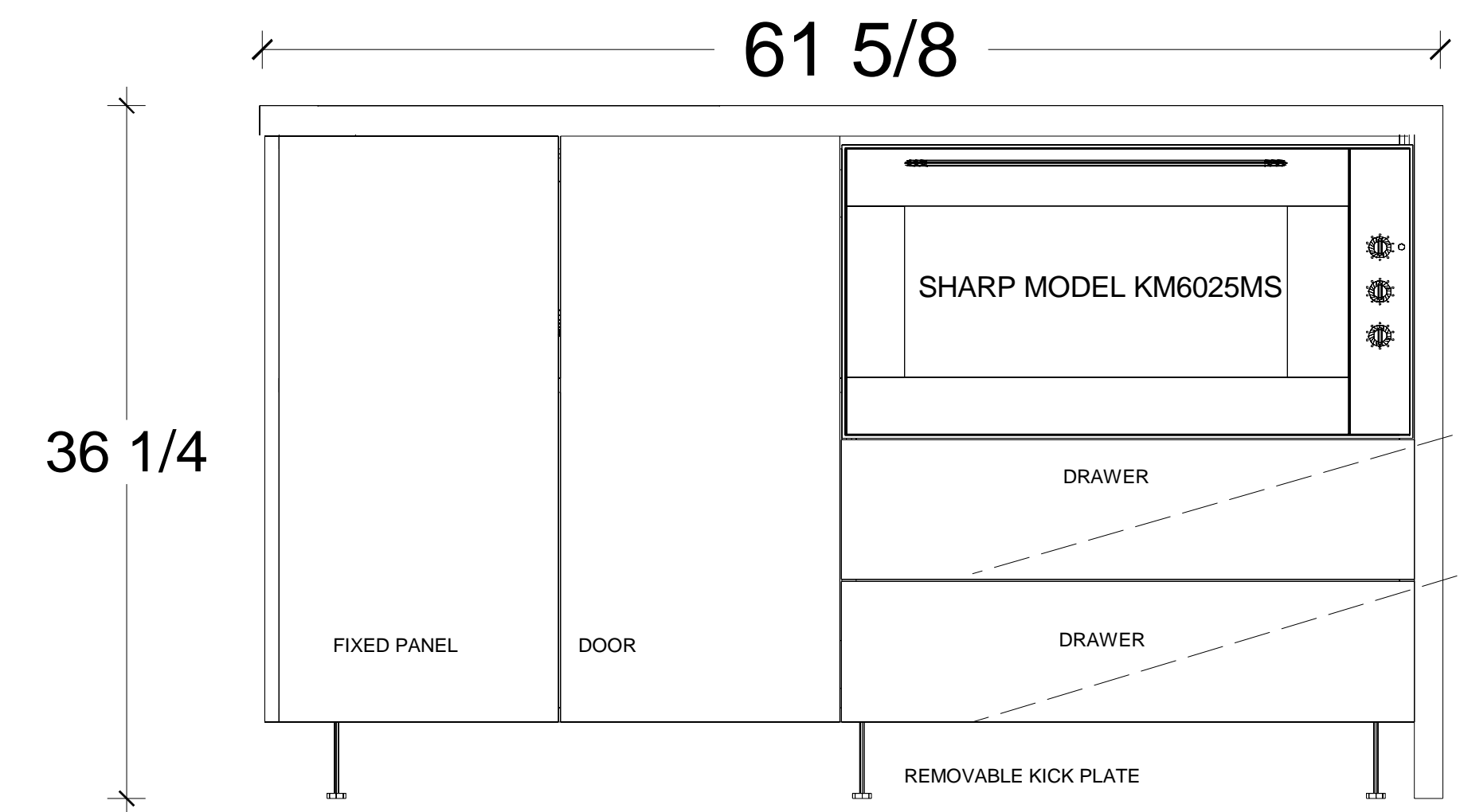
ISLAND SEATING SIDE EXTERIOR



ISLAND SEATING SIDE INTERIOR



ISLAND END ELEVATION. COUNTER RETURNS TO FLOOR ON THE OTHER END



Taghkanic Woodworking
 3144 RT 55
 Ramfing, NY 12564
 Phone: 845-855-5018 Fax: 845-855-5021
 Email: taghkanic@comcast.net

Name: Hillsdale Lot 5 Residence
 Address: 292 Whitehill Road
 City: Hillsdale State: NY

MAPLE INTERIORS RIFT WHITE OAK EXTERIORS.
 OAK EXTERIOR FINISH TO MATCH CLIENTS SAMPLE
 100LBS FULL EXTENSION UNDER MOUNT DRAWER SLIDES
 GRASS 110 DEG. EURO HINGE
 PULL OUT HARDWARE REV-A-SHELF PREMIER SERIES
 COUNTERTOPS BY OTHERS
 CORK BY OTHERS
 VINTAGE OAK AT SUB ZERO ELEVATION SUPPLIED BY OTHERS DOORS AND PANELS MANUFACTURED BY TAGHKANIC

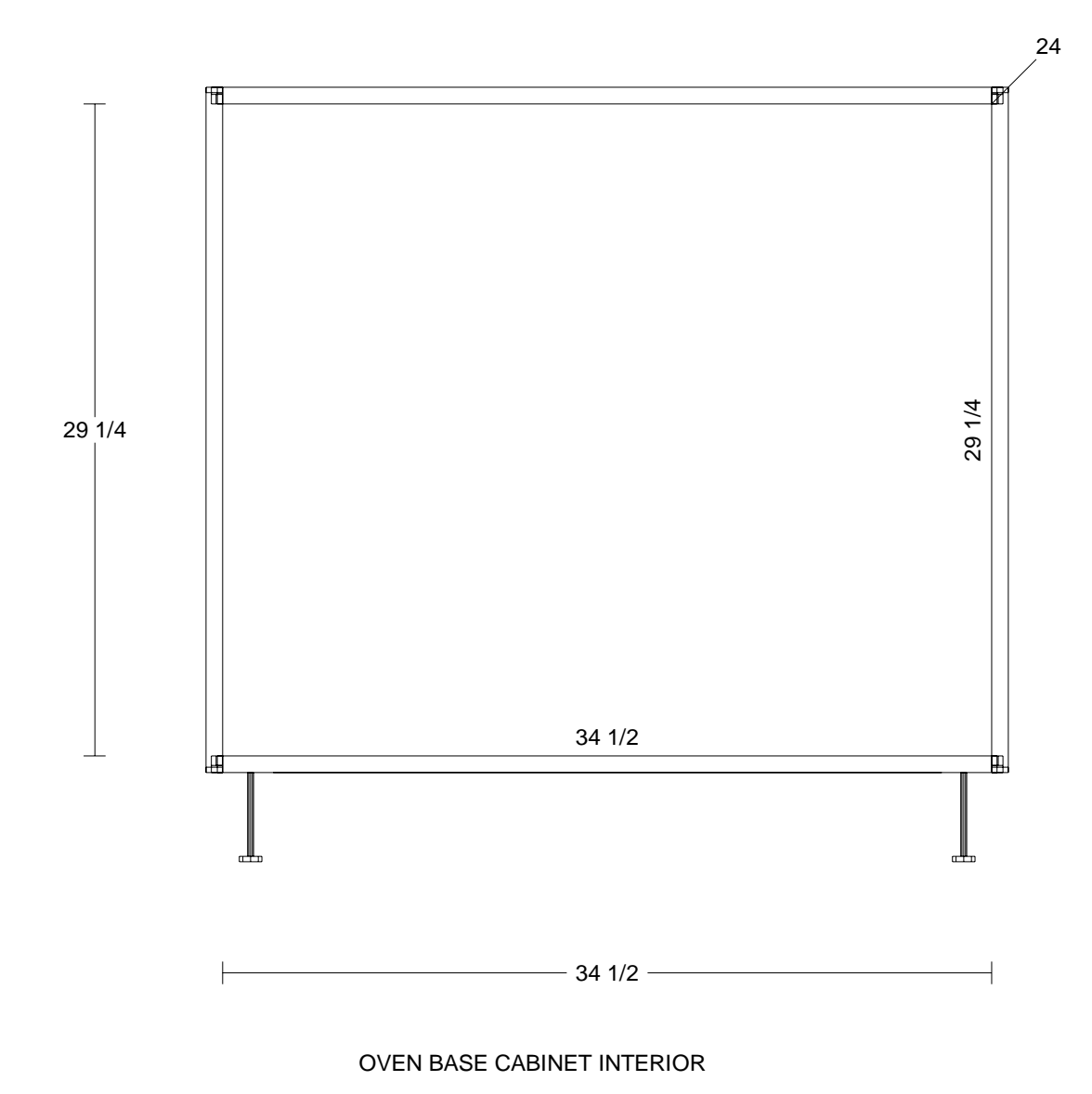
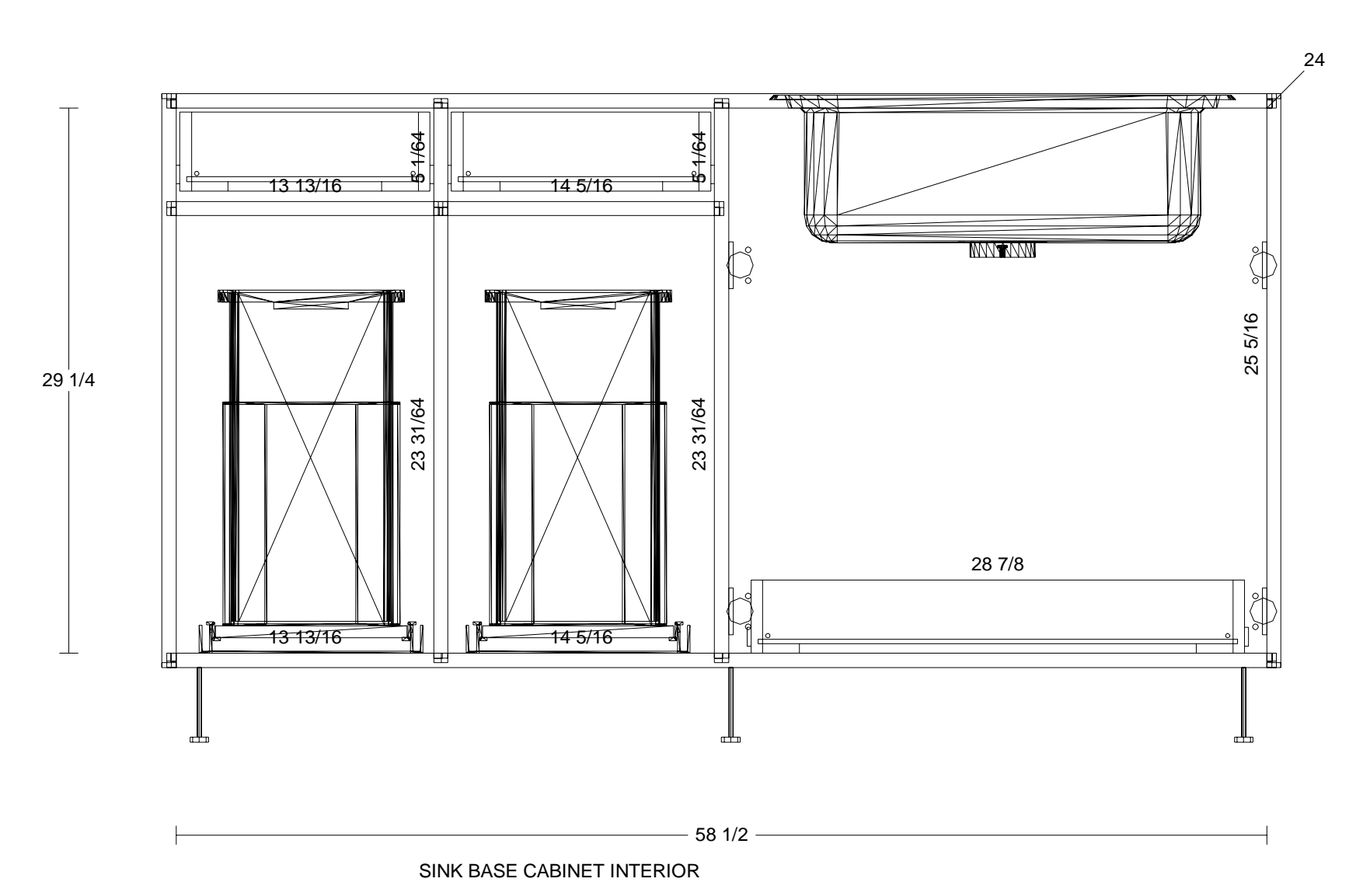
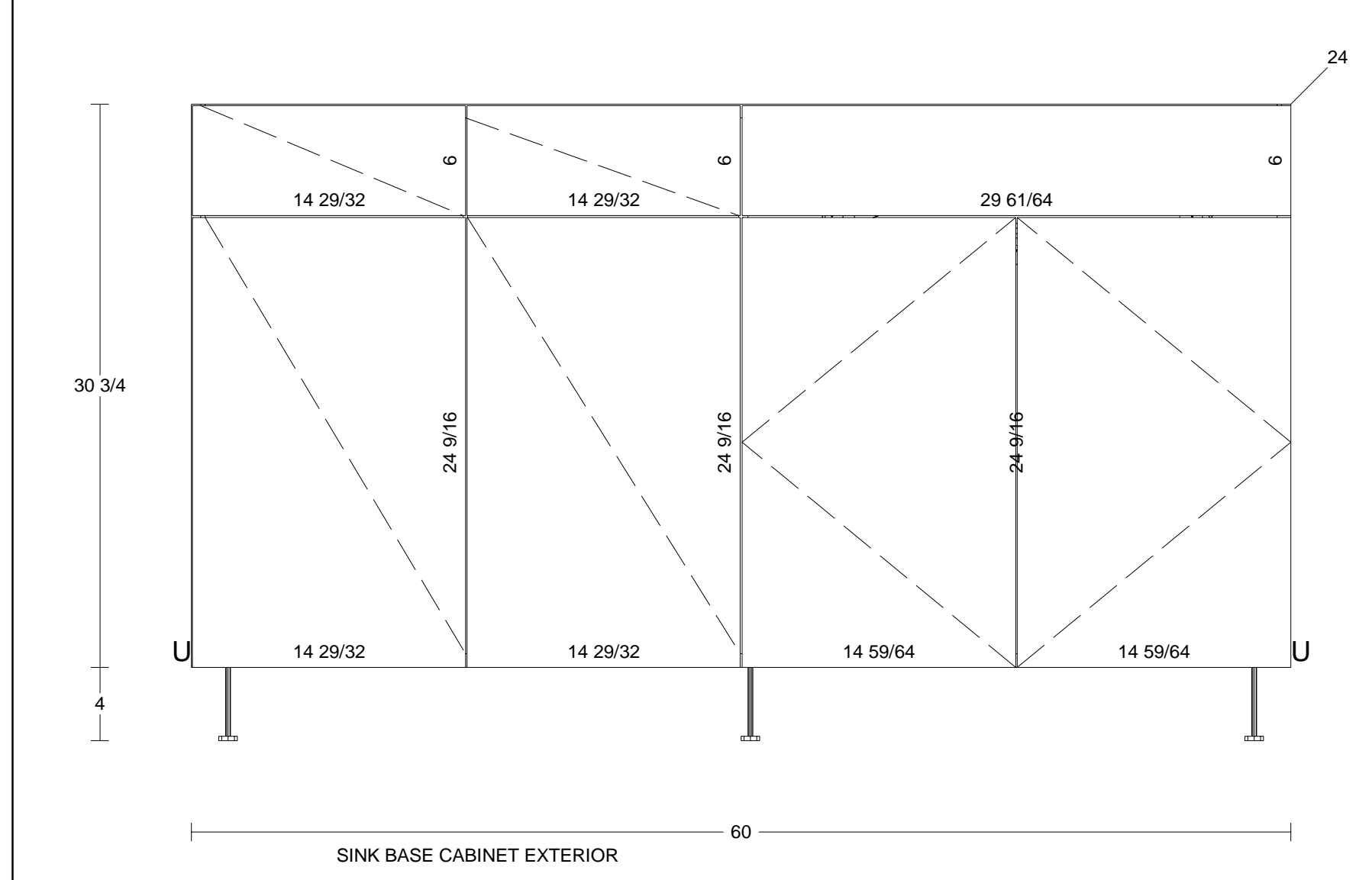
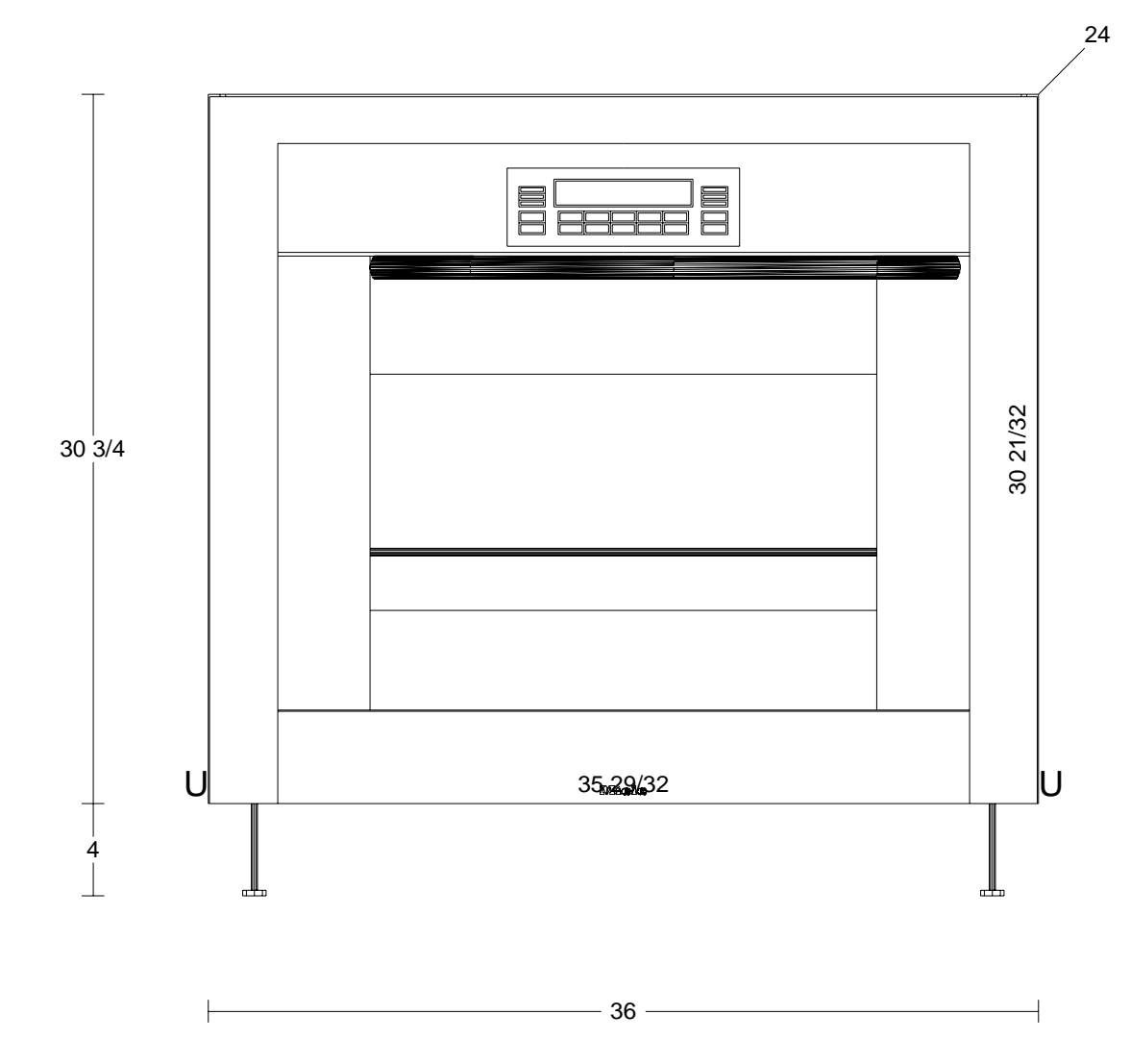
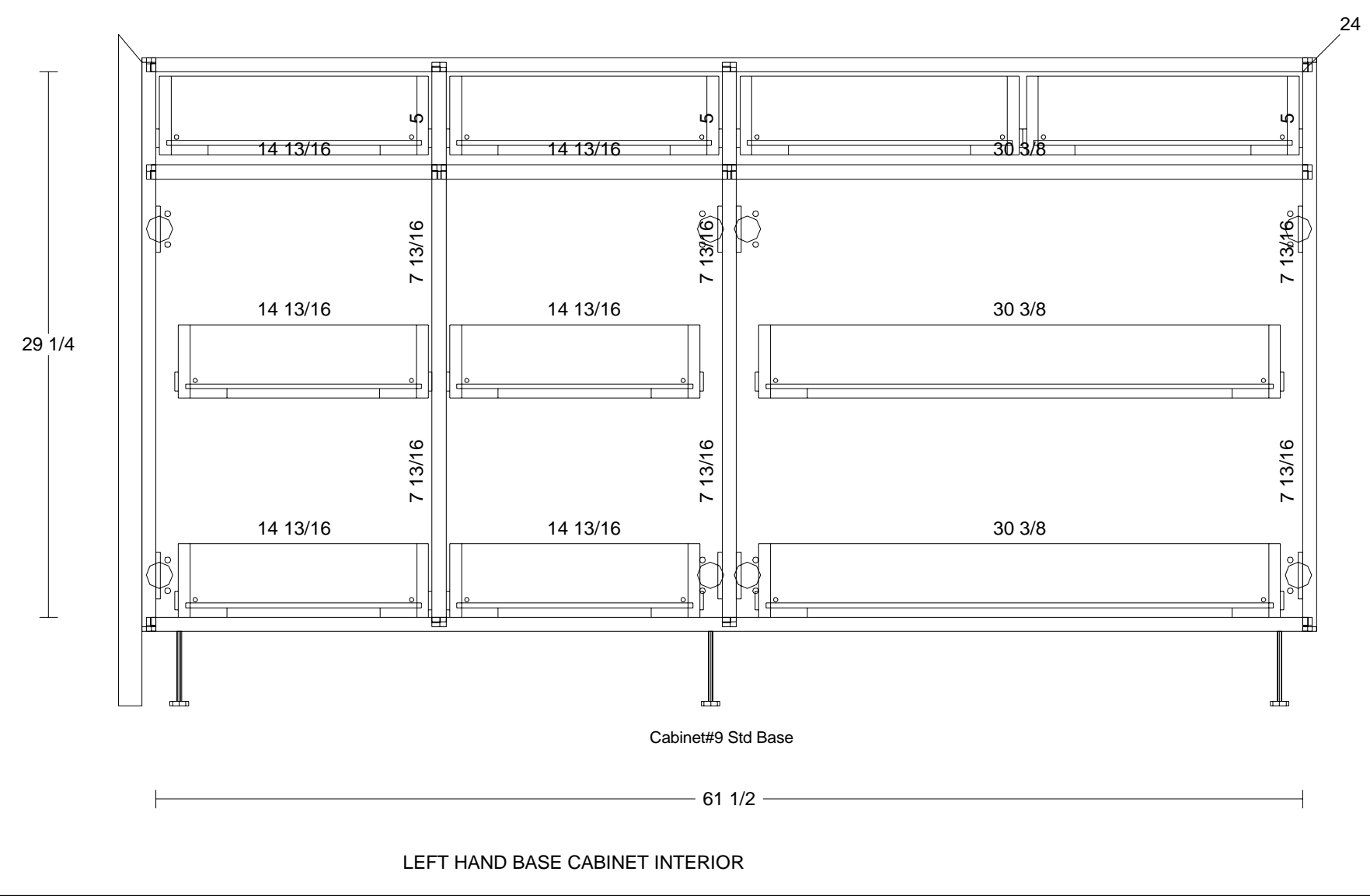
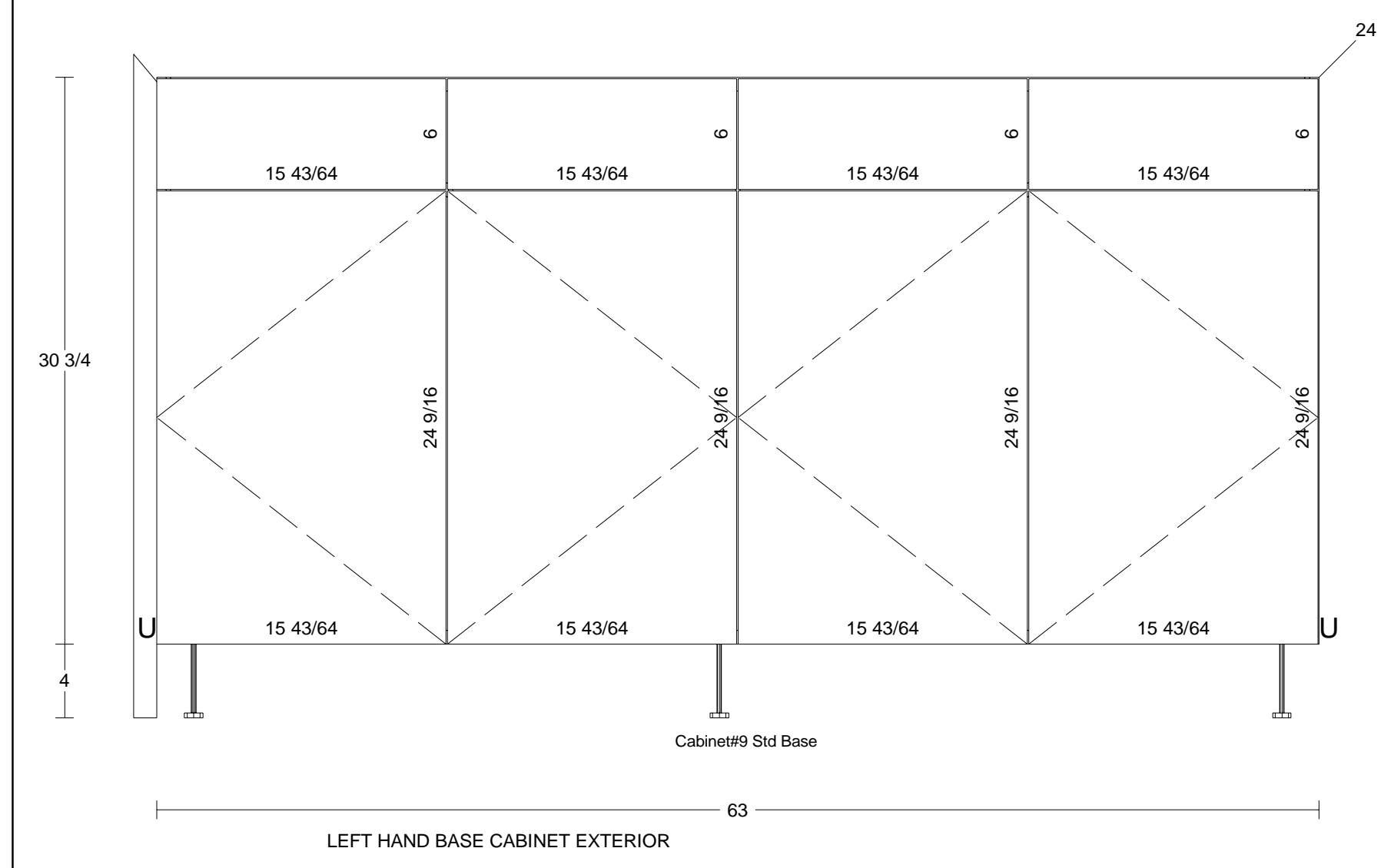
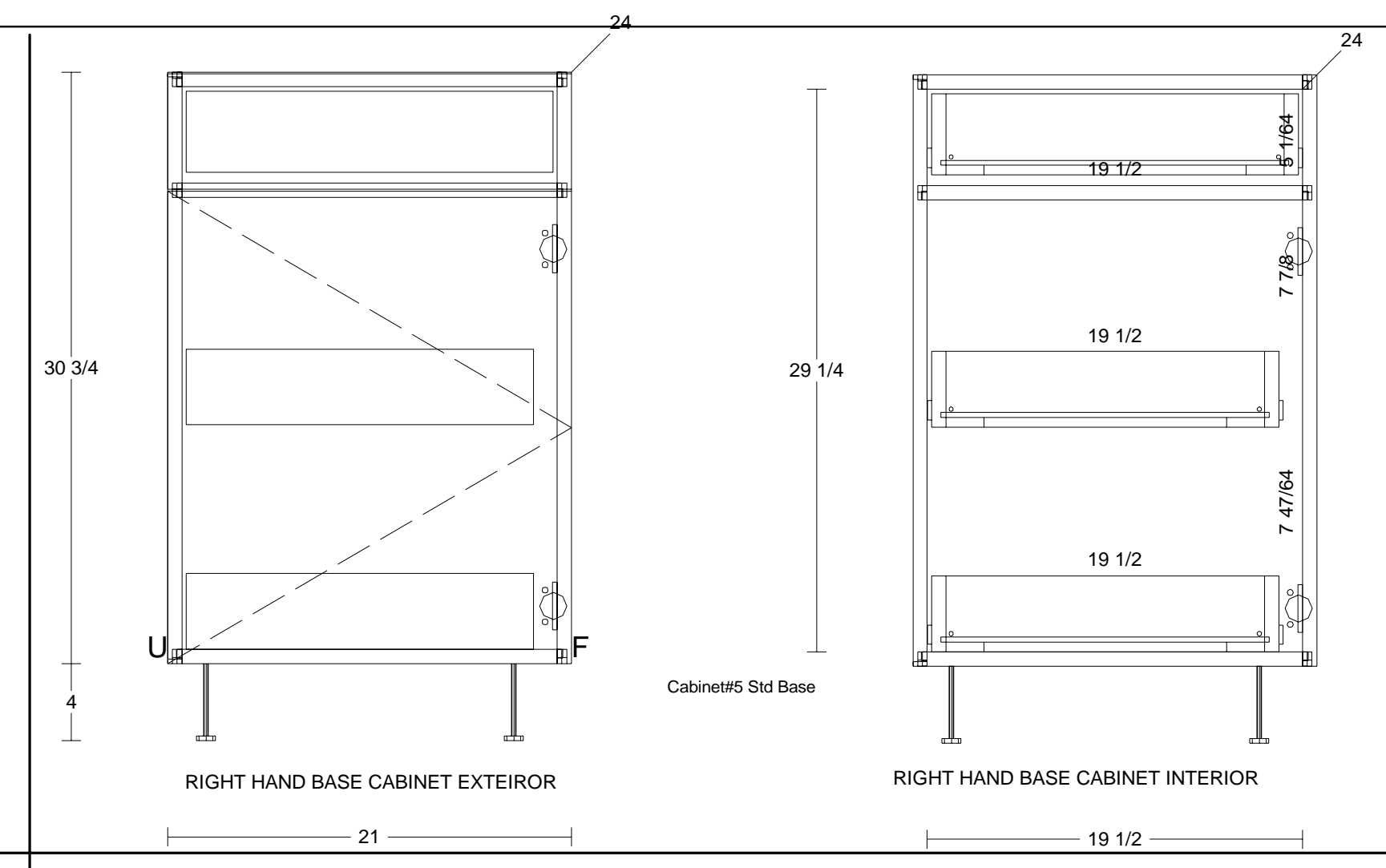
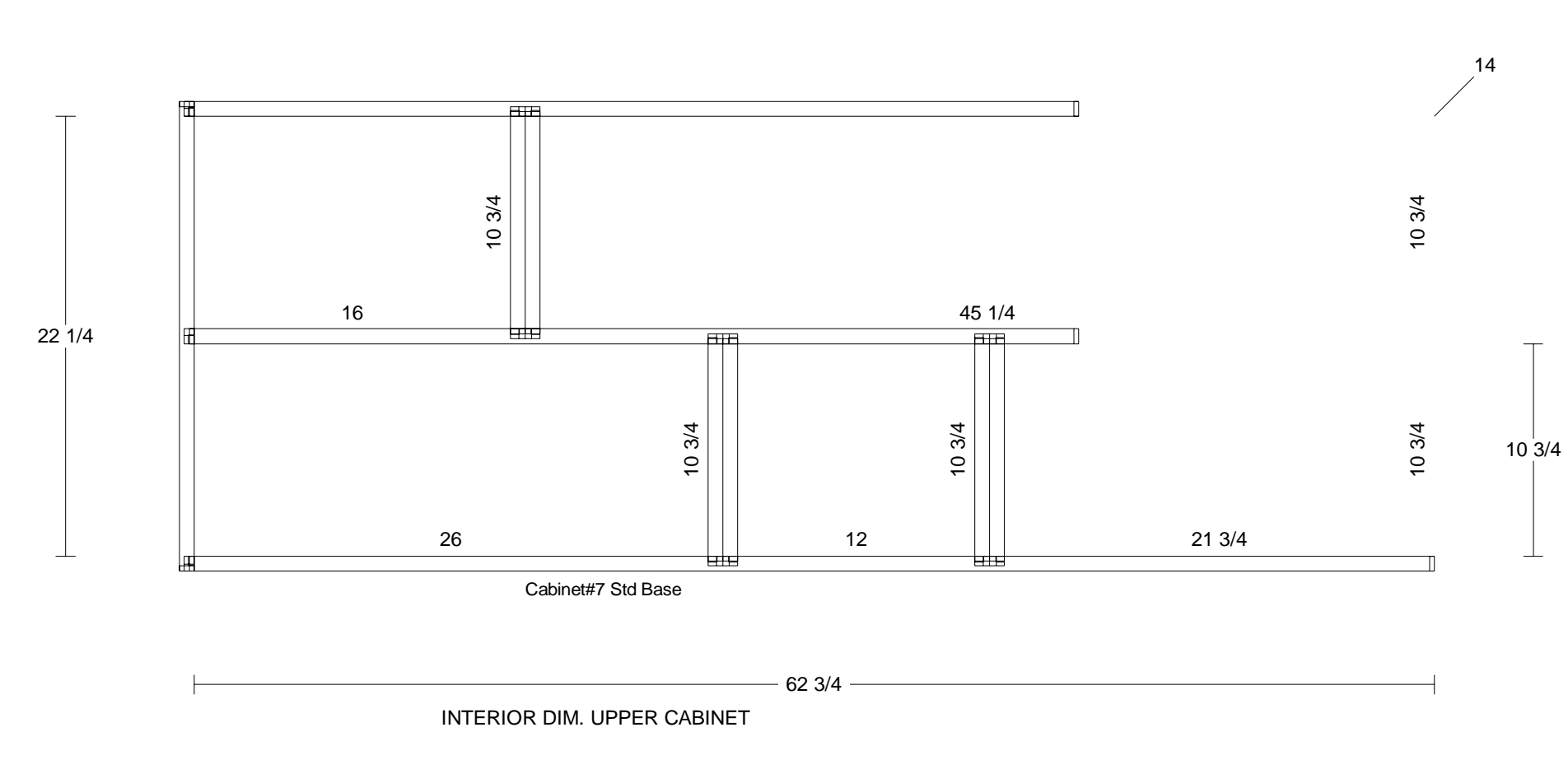
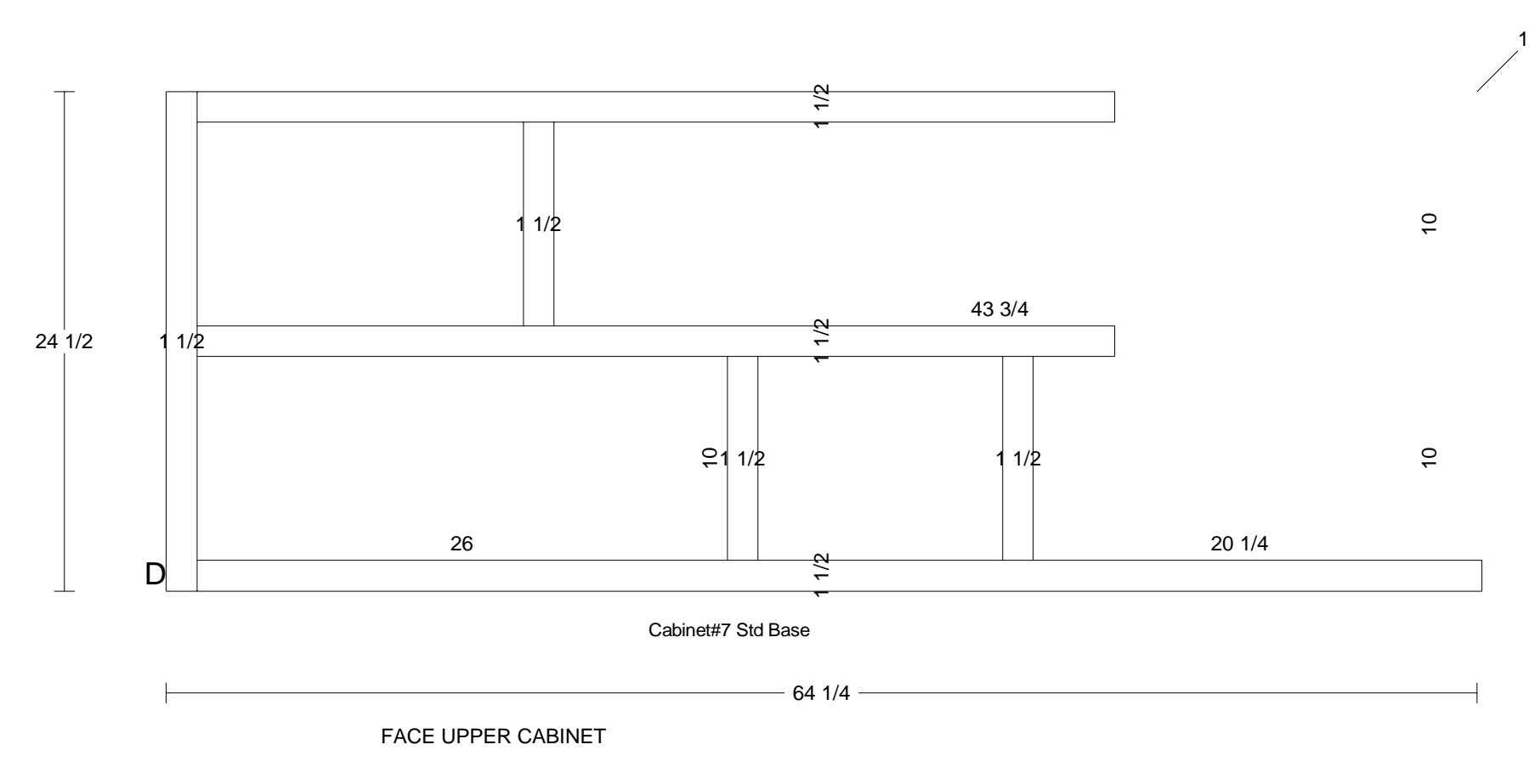
Revisions:

2.25.09	
6/9/09	

Job Title: ISLAND DETAILS AND 3-D Kitchen cabinetry

Print Date: 06/12/09

Job #: Sheet #: Hillsdale Lot 5 Residence Sheet 7



Taghkanic Woodworking
 3144 RT 55
 Pawling, NY 12564
 Phone: 845-855-5018 Fax: 845-855-5021
 Email: taghkanic@comcast.net

Name: Hillsdale Lot 5 Residence
 Address: 292 Whitehill Road
 City: Hillsdale State: NY

MAPLE INTERIORS RIFT WHITE OAK EXTERIORS.
 OAK EXTERIOR FINISH TO MATCH CLIENTS SAMPLE
 100LBS FULL EXTENSION UNDER MOUNT DRAWER SLIDES
 GRASS 110 DEG. EURO HINGE
 PULL OUT HARDWARE REV-A-SHELF PREMIER SERIES
 COUNTERTOPS BY OTHERS
 CORK BY OTHERS
 VINTAGE OAK AT SUB ZERO ELEVATION SUPPLIED BY OTHERS DOORS AND PANELS MANUFACTURED BY TAGHKANIC

Revisions:

5/18/09	
6/9/09	

Job Title: CABINET DETAILS INT. AND EXT Kitchen cabinetry

Print Date: 06/12/09

Job #: Sheet #: Sheet 8

FIREPLACE MILLWORK AND CABINETS

292 WHITEHILL ROAD



APPROVED BY: _____

DATE: _____

Taghkanic Woodworking

3144 RT 55
Ramfing, NY 12564
Phone: 845-855-5018 Fax: 845-855-5021
Email: taghkanic@comcast.net

Name: Hillsdale Lot 5 Residence
Address: 292 Whitehill Road
City: Hillsdale State: NY

FIRE PLACE CABINERY IN RIFT SAWN WHITE OAK ON INTERIORS, EXTERIOR PANELS ARE HAND PEENED RIFT SAWN WHITE OAK WITH CUSTOM FINISH AS PER SAMPLE. LIGHT DIFFUSER IS RIFT SAWN WHITE OAK. SEE NOTES ON PAGE 12 FOR PANEL AND FIRE PLACE STEEL INTERACTION. PANELS ON THE FACE OF THE FIRE BOX AND WOOD BOX WILL BE CUT IN FIELD ONCE STEEL MANTEL IS SET.

Revisions:

2.25.09	

Job Title:

FIREPLACE MILLWORK

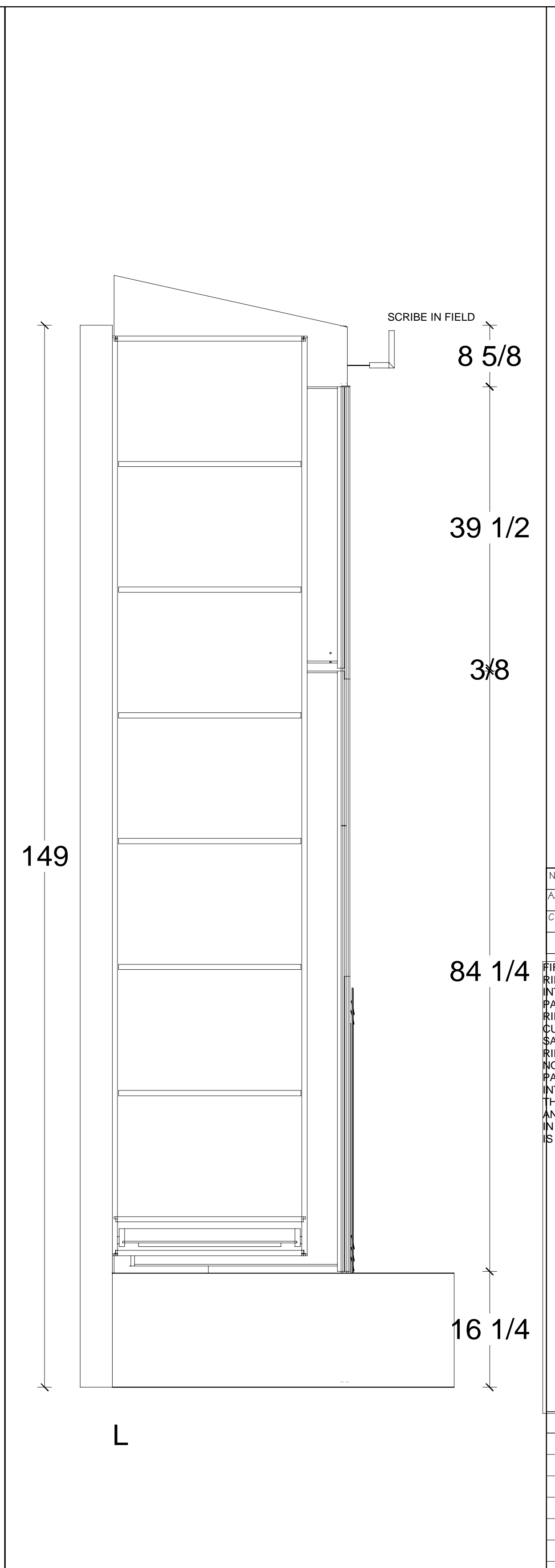
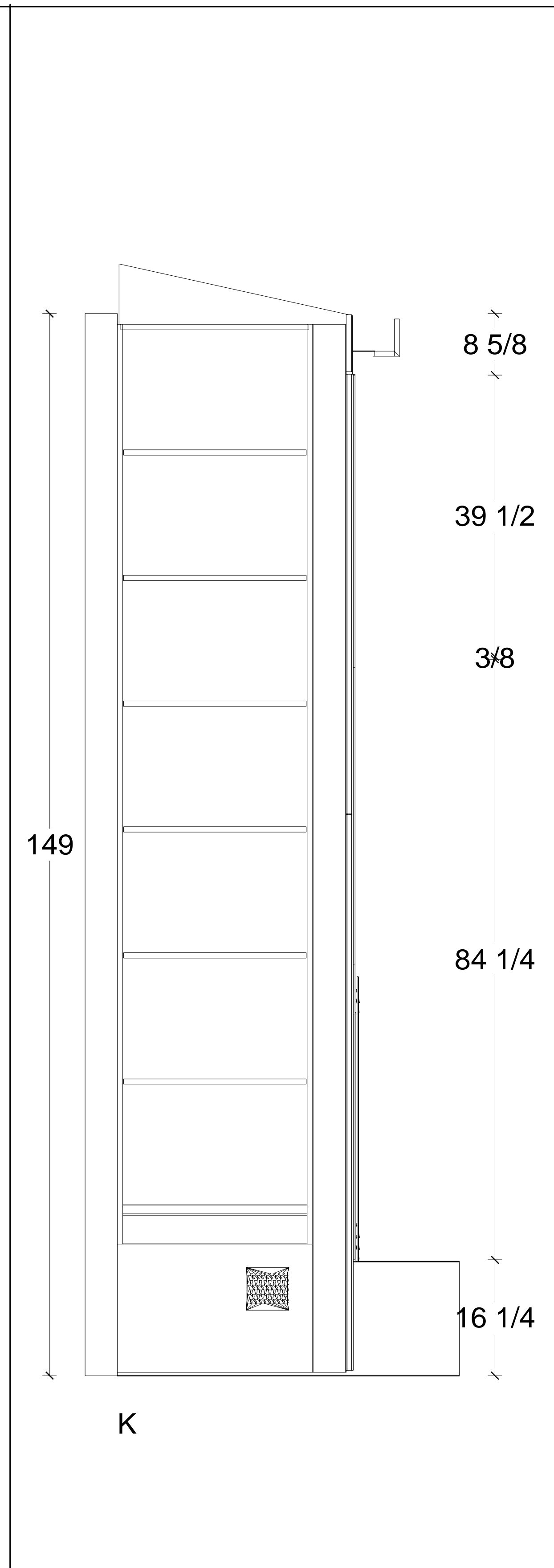
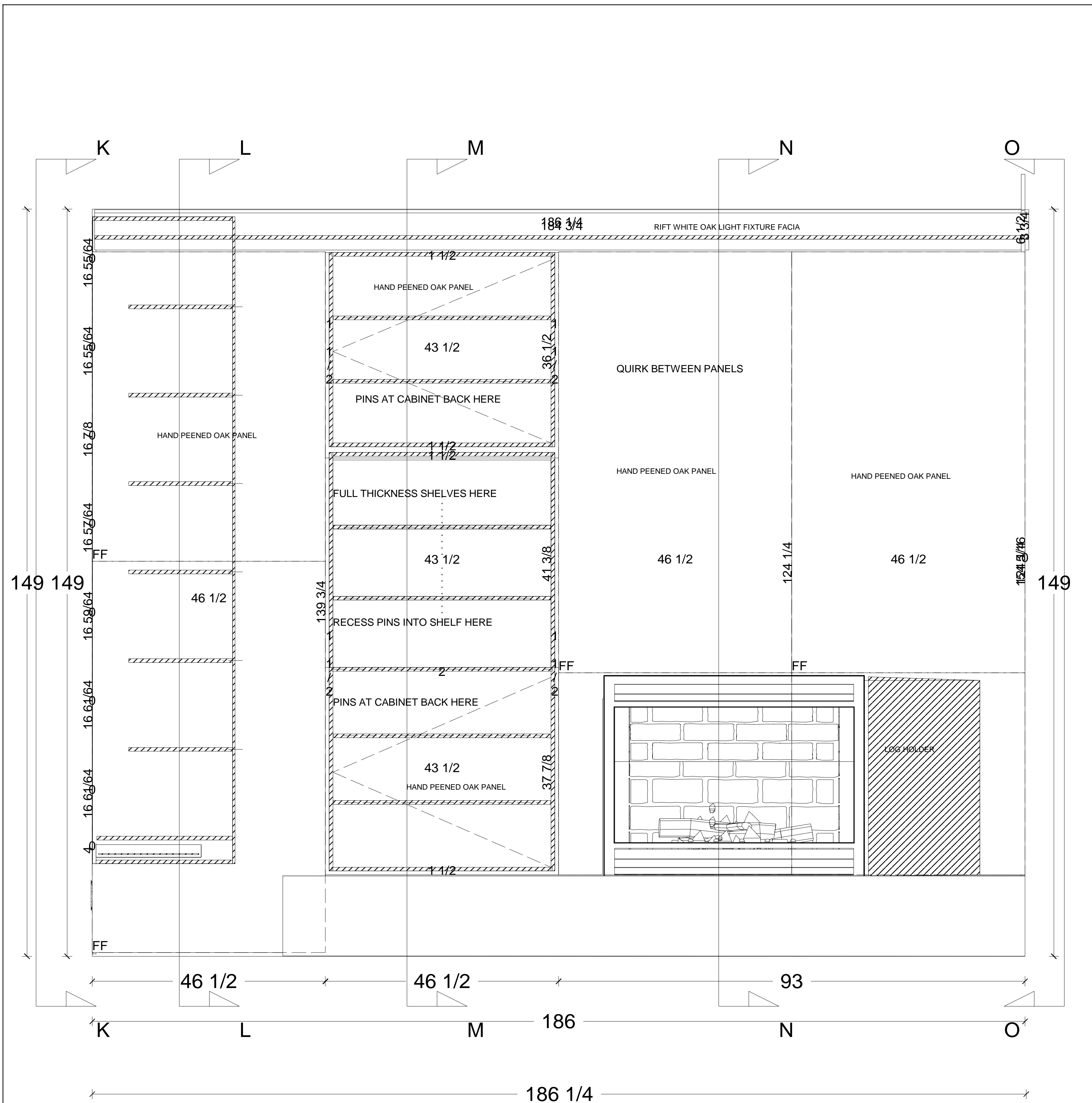
Print Date:

06/12/09

Job #: _____ Sheet #:

Hillsdale Lot 5 Residence

Sheet 9



Taghkanic Woodworking
 3144 RT 55
 Ramfing, NY 12564
 Phone: 845-855-5018 Fax: 845-855-5021
 Email: taghkanic@comcast.net

Name: Hillsdale Lot 5 Residence
 Address: 292 Whitehill Road
 City: Hillsdale State: NY

FIRE PLACE CABINERY IN RIFT SAWN WHITE OAK ON INTERIORS. EXTERIOR PANELS ARE HAND PEENED RIFT SAWN WHITE OAK WITH CUSTOM FINISH AS PER SAMPLE. LIGHT DIFFUSER IS RIFT SAWN WHITE OAK. SEE NOTES ON PAGE 12 FOR PANEL AND FIRE PLACE STEEL INTERACTION. PANELS ON THE FACE OF THE FIRE BOX AND WOOD BOX WILL BE CUT IN FIELD ONCE STEEL MANTEL IS SET.

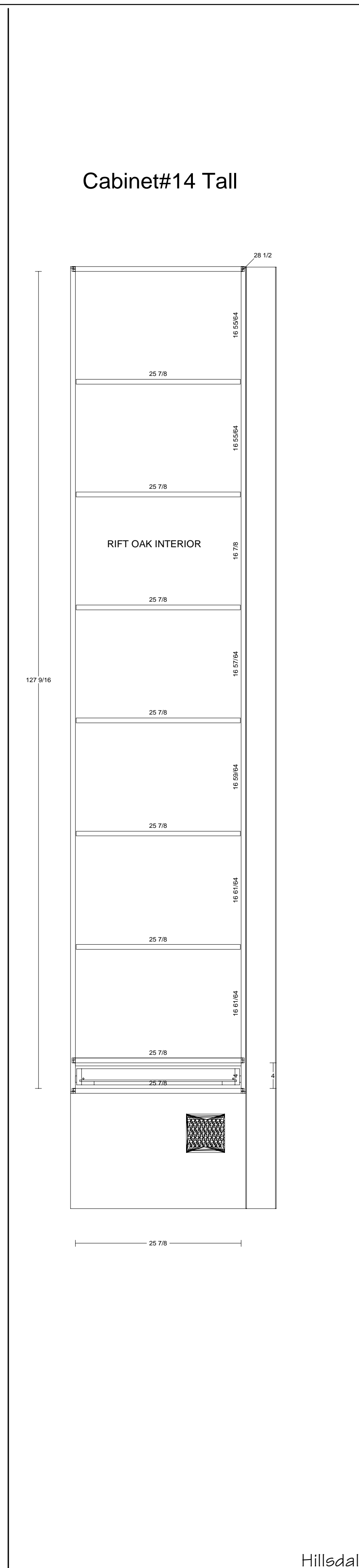
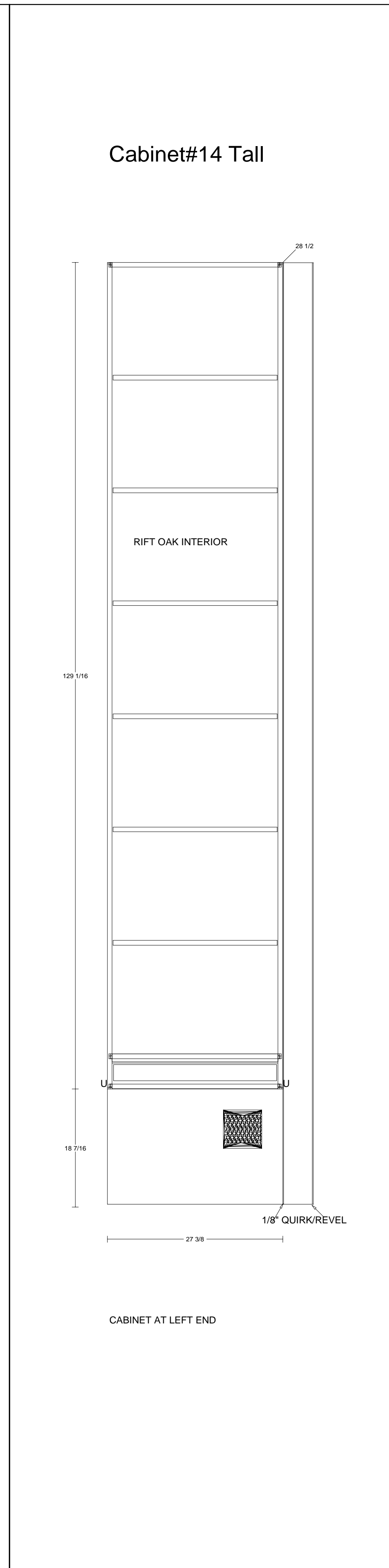
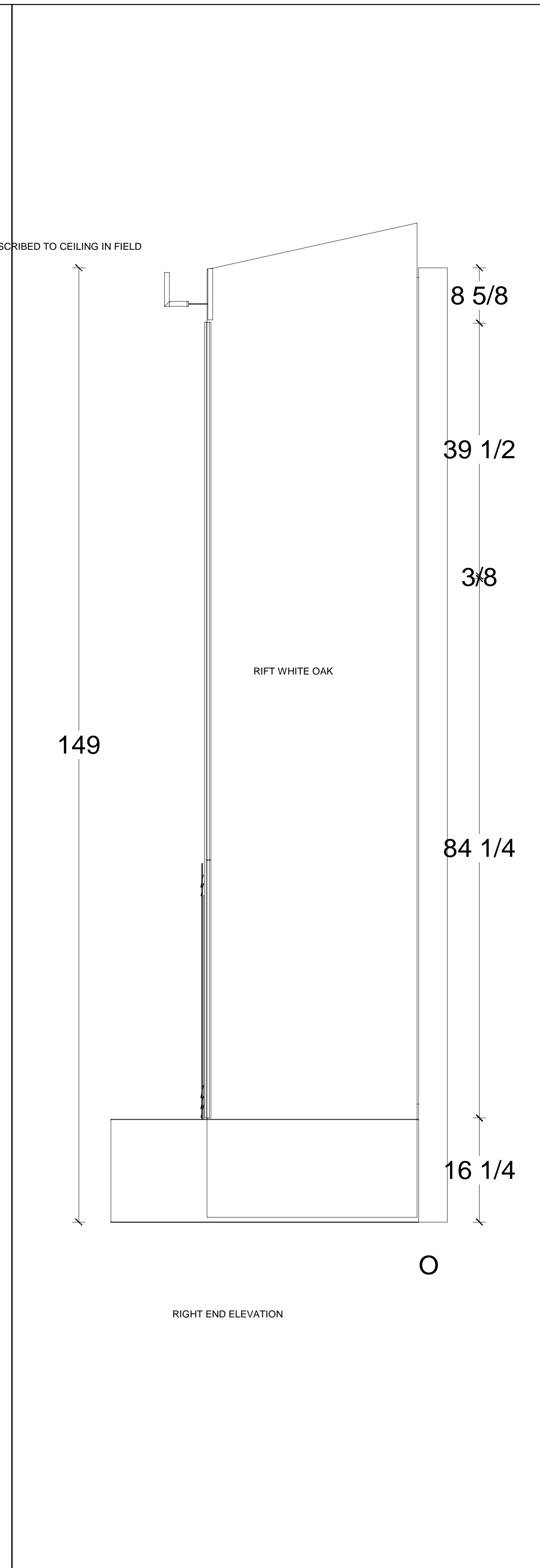
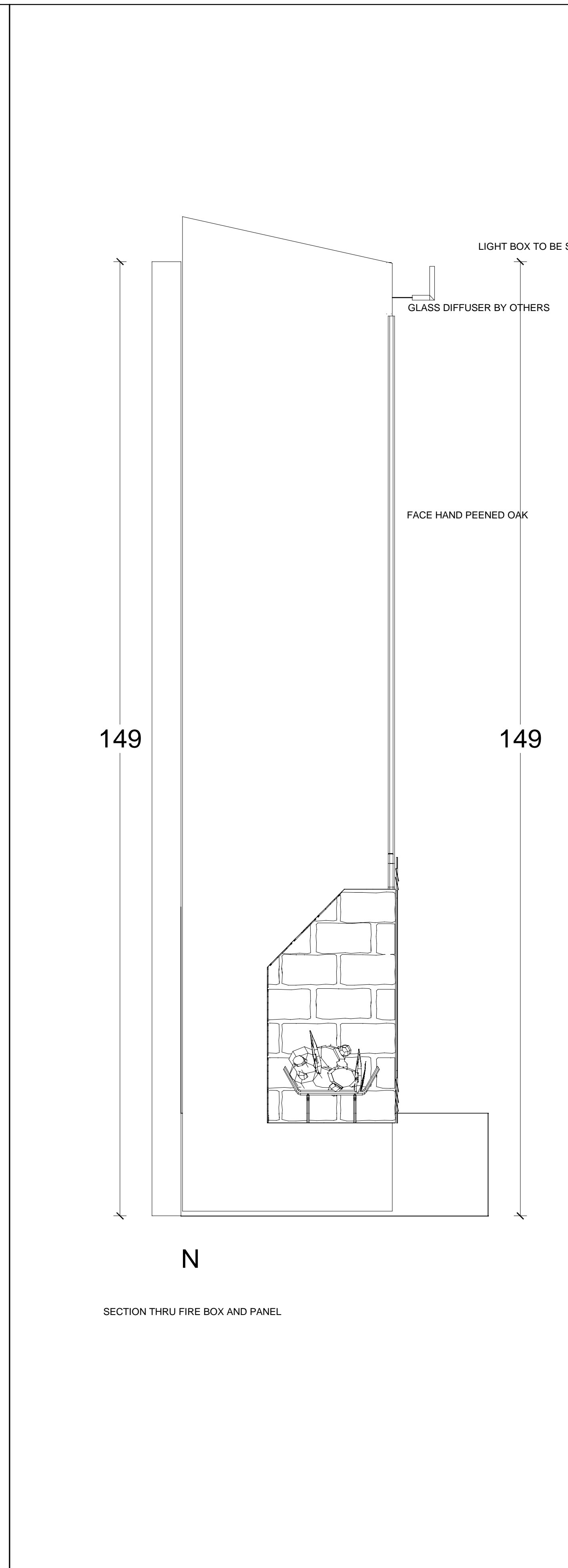
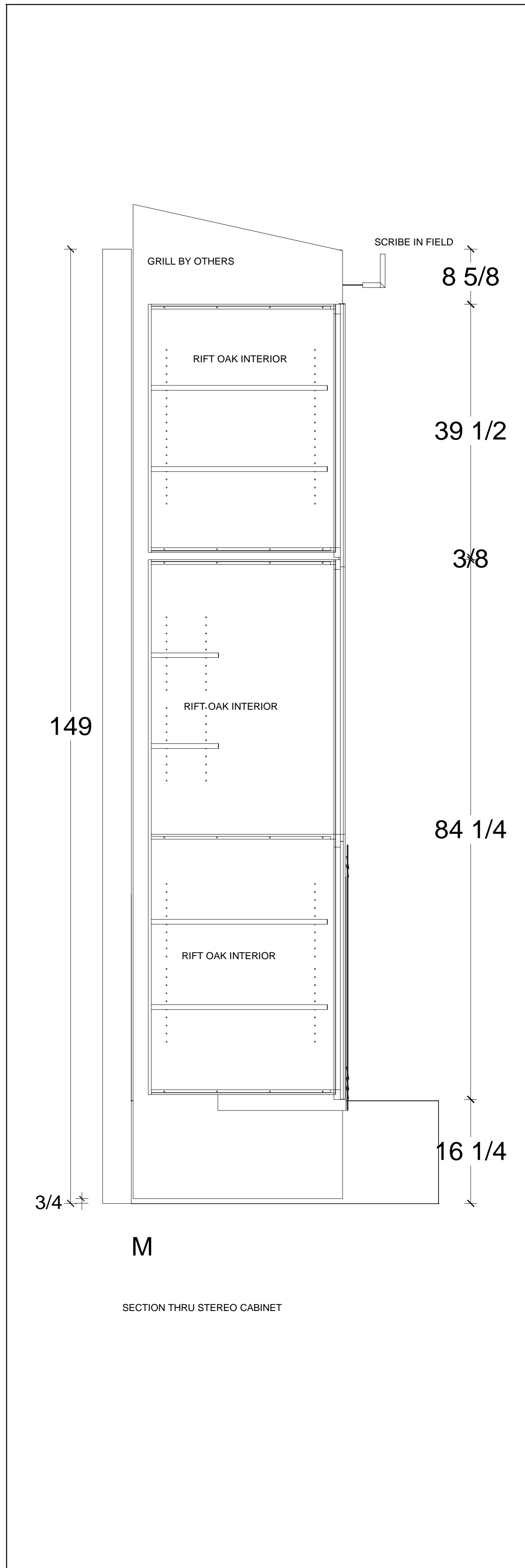
Revisions:

2.25.09	

Job Title: FIREPLACE MILLWORK

Print Date: 06/12/09

Job #: Sheet #: Hillsdale Lot 5 Residence Sheet 10



Taghkanic Woodworking
 3144 RT 55
 Pawling, NY 12564
 Phone: 845-855-5018 Fax: 845-855-5021
 Email: taghkanic@comcast.net

Name: Hillsdale Lot 5 Residence
 Address: 292 Whitehill Road
 City: Hillsdale State: NY

FIRE PLACE CABINETRY IN RIFT SAWN WHITE OAK ON INTERIORS. EXTERIOR PANELS ARE HAND PEENED RIFT SAWN WHITE OAK WITH CUSTOM FINISH AS PER SAMPLE. LIGHT DIFFUSER IS RIFT SAWN WHITE OAK. SEE NOTES ON PAGE 12 FOR PANEL AND FIRE PLACE STEEL INTERACTION. PANELS ON THE FACE OF THE FIRE BOX AND WOOD BOX WILL BE CUT IN FIELD ONCE STEEL MANTEL IS SET.

Revisions:

2.25.09	

Job Title: Kitchen cabinetry
 Print Date: 06/12/09
 Job #: Hillsdale Lot 5 Residence
 Sheet #: 1 of 1

Taghkanic Woodworking

3144 RT 55
 Pawling, NY 12564
 Phone: 845-855-5018 Fax: 845-855-5021
 Email: taghkanic@comcast.net

Name: Hillsdale Lot 5 Residence
 Address: 292 Whitehill Road
 City: Hillsdale State: NY

FIRE PLACE CABINETS IN RIFT SAWN WHITE OAK ON INTERIORS. EXTERIOR PANELS ARE HAND PEENED RIFT SAWN WHITE OAK WITH CUSTOM FINISH AS PER SAMPLE. LIGHT DIFFUSER IS RIFT SAWN WHITE OAK. SEE NOTES ON PAGE 12 FOR PANEL AND FIRE PLACE STEEL INTERACTION. PANELS ON THE FACE OF THE FIRE BOX AND WOOD BOX WILL BE CUT IN FIELD ONCE STEEL MANTEL IS SET.

Revisions:

2.25.09	
Job Title:	Kitchen cabinetry
Print Date:	06/12/09
Job #:	Sheet #:
	5

Hillsdale Lot 5 Residence

Sheet 12

