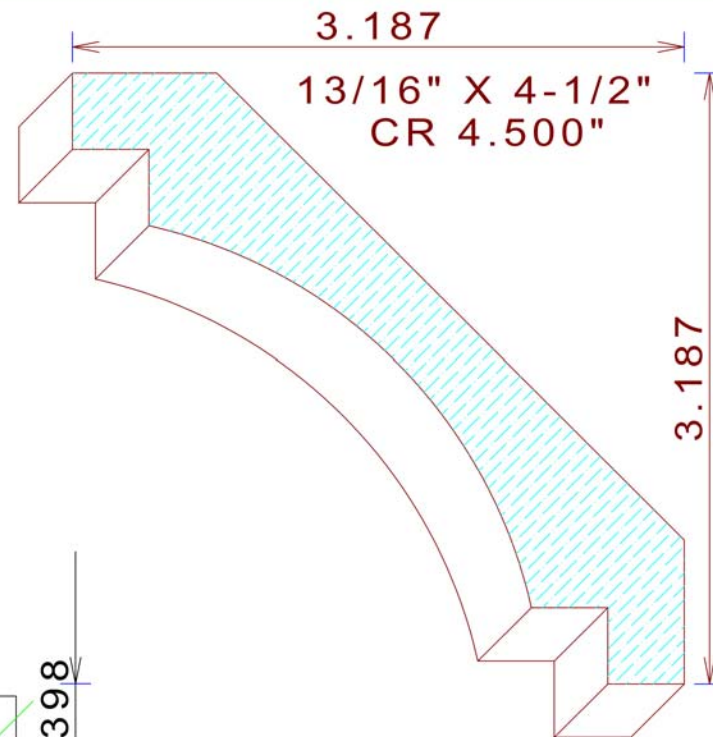
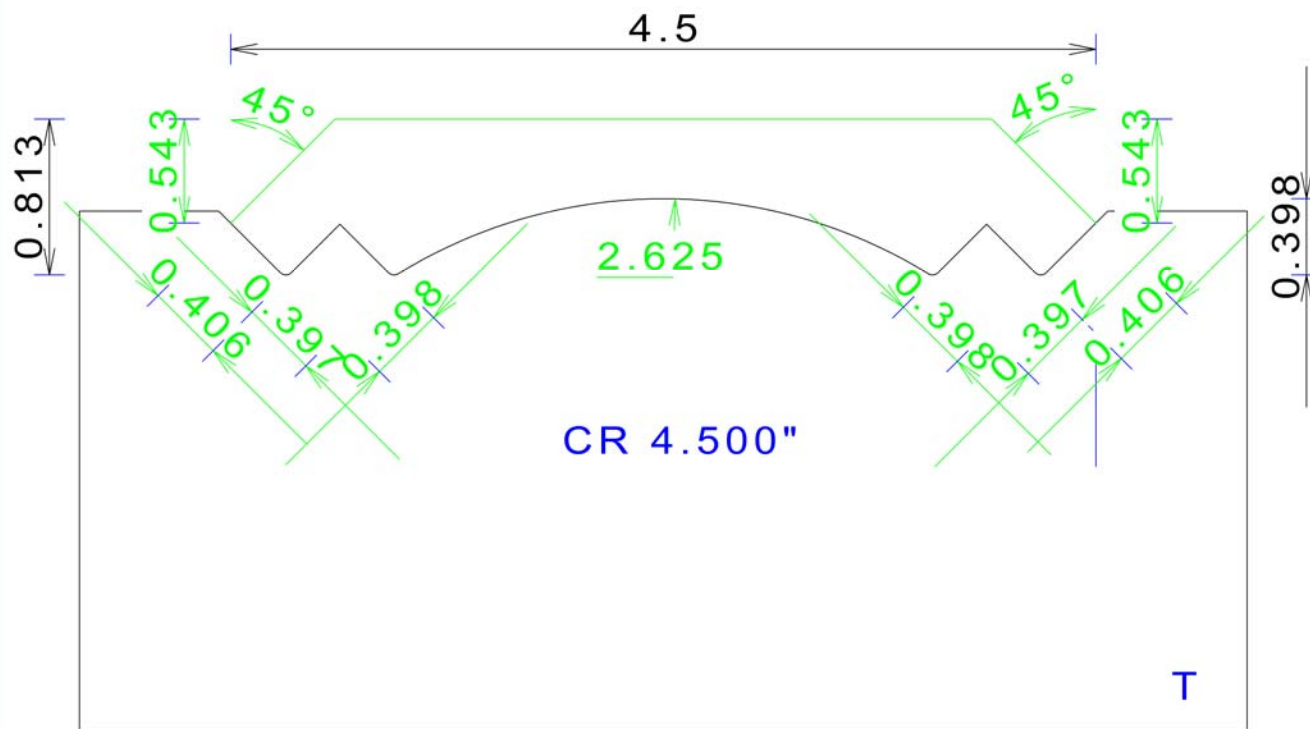




**Mirror Reflections Inc.**

1588 South 250 East - Kaysville Utah 84037  
 Phone / Fax (801)-451-5987  
 www.mirror-reflections.com



Cut steel size @ 5.250"L X 2.000"W

PLEASE SIGN OR MAKE CORRECT CHANGES. ~~X~~

KNIFE GRIND NEEDED ? Yes No Please Circle One Choice

Customer	Scale <b>FULL</b>	Part # <b>CR 4.500"</b>	Date <b>11-30-2012</b>	Priority Overnight	FedEX Standard Overnight 2 Day	UPS Red Blue Ground
----------	----------------------	----------------------------	---------------------------	-----------------------	--------------------------------------	------------------------