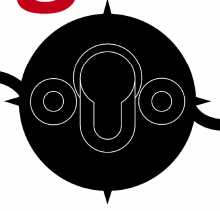


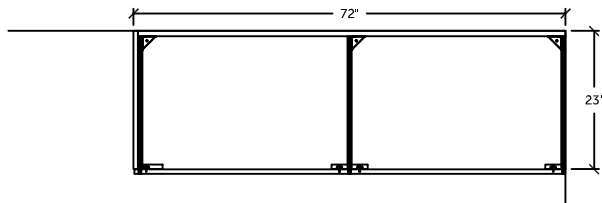
Star Hanger systems

"Your Innovative
Panel Hanging Partner"

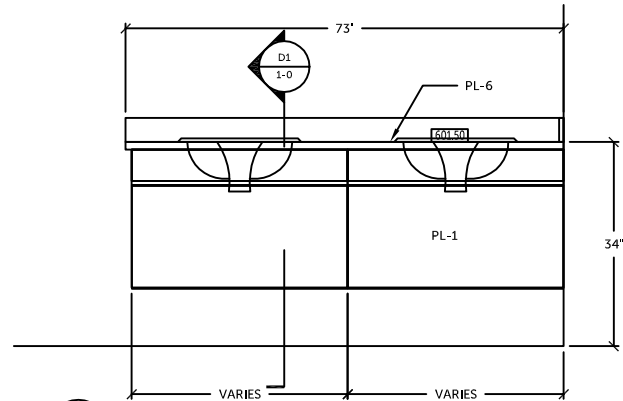


Star Hanger ADA Vanity Typical Details

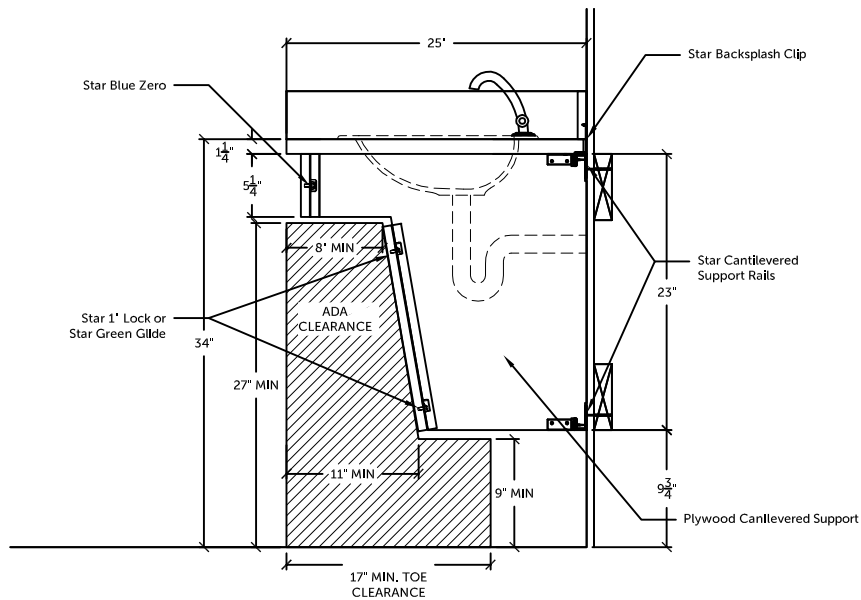
PRODUCT DRAWINGS



1 PLAN: Star Hanger ADA Vanity
Star Lock SCALE: 3/4" = 1'-0"
ARCH. REF:



A ELEVATION: Star Hanger ADA Vanity
Star Lock SCALE: 3/4" = 1'-0"
ARCH. REF:



D1 Section: Star Hanger ADA Vanity
Star Lock SCALE: 1-1/2" = 1'-0"
ARCH. REF:

PRODUCT DESCRIPTION

THE STAR HANGER ADA VANITY DESIGN MAKES USE OF STAR HANGER'S EXCLUSIVE PRODUCT LINE TO CREATE A STRONGER, SIMPLER ADA ACCESSIBLE VANITY PRODUCT THAT REQUIRES LESS MATERIALS, AND FABRICATES AND INSTALLS QUICKER THAN THE TYPICAL SHOP BUILT DESIGNS.