

## Table of Contents

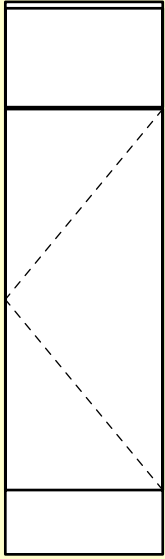


## Universal Boring Pattern

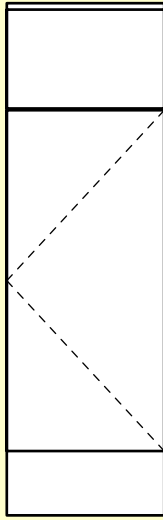
Standardization for efficient cabinet production

- One line bore pattern works with all eight of Blum's drawer systems.
- Hinge drilling positions are balanced on all doors.
- Drawer front heights are optimized.
- Cross rails can be placed between all drawers.
- 3/4" or 5/8" panel thickness can be used.
- Clearance for BLUMOTION closing mechanisms on TANDEM and TANDEMBOX drawers is provided.

Cabinet type	Runner system	Description	Page
34-1/2" base	All	Line bore pattern for all base cabinets	1
34-1/2" base	All	Base types with cross rail positions	2
34-1/2" base	All	Base door and drawer front heights	3
34-1/2" base	METABOX	Base pattern: all 320M drawers	4
34-1/2" base	METABOX	Base pattern: 320M & 320H drawers	5
34-1/2" base	TANDEM / SOLO	Base pattern: 4" & 8" drawers	6
34-1/2" base	STANDARD	Base pattern: 4" & 8" drawers	7
34-1/2" base	TANDEMBOX	Base pattern: 358M drawers	8
	TANDEMBOX	Bottom drawer template instructions	9
32" vanity	All	Line bore pattern for all vanity cabinets	10
32" vanity	All	Vanity types with cross rail positions	11
32" vanity	All	Vanity door and drawer front heights	12
32" vanity	METABOX	Vanity pattern: 320M drawers	13
32" vanity	METABOX	Vanity pattern: 320M & 320H drawers	14
32" vanity	TANDEM / SOLO	Vanity pattern: 4" & 8" drawers	15
32" vanity	STANDARD	Vanity pattern: 4" & 8" drawers	16
32" vanity	TANDEMBOX	Vanity pattern: 358M drawers	17
28-1/4" desk	All	Line bore pattern for all desk cabinets	18
28-1/4" desk	All	Desk types with cross rail positions	19
28-1/4" desk	All	Desk door and drawer front heights	20
28-1/4" desk	METABOX	Desk pattern, 320H, 320M & 320N	21
28-1/4" desk	TANDEM / SOLO	Desk pattern: 3", 4", 8" & 10" drawers	22
28-1/4" desk	STANDARD	Desk pattern: 3", 4", 6" & 10" drawers	23
28-1/4" desk	TANDEMBOX	Desk pattern: 358M drawers	24
Wall cabinets		Wall pattern: 30-1/2", 28", 24-3/16"	25
Wall cabinets		Wall pattern: 20-7/16", 16-5/8", 12-7/8"	26



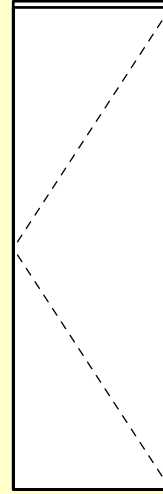
**Base**  
34-1/2"



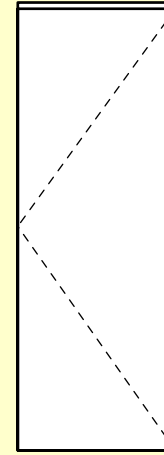
**Vanity**  
32"



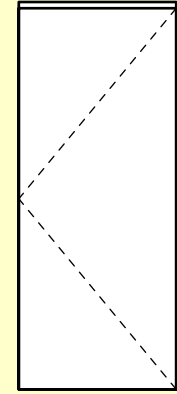
**Desk**  
28-1/4"



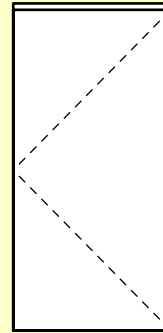
**Wall**  
30-1/2"



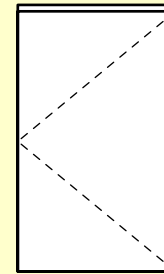
**Wall**  
28"



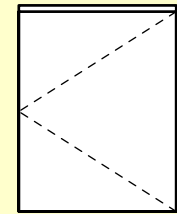
**Wall**  
24-3/16"



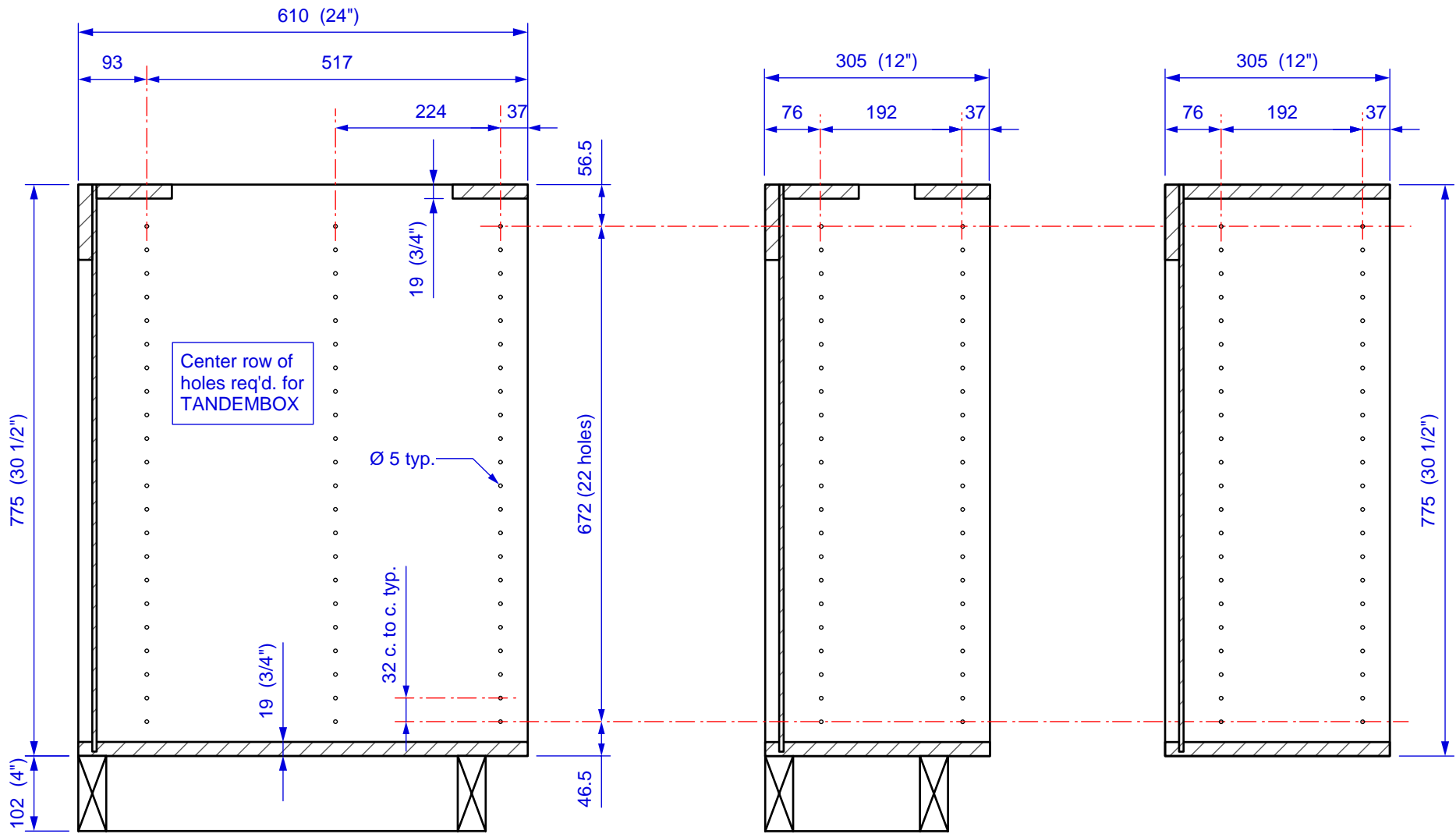
**Wall**  
20-7/16"



**Wall**  
16-5/8"



**Wall**  
12-7/8"



Standard 24" base cabinet

Shallow 12" base cabinet

30-1/2" wall cabinet



Blum, Inc  
 Stanley, NC 28164  
 1-800-438-6788

Description	Date	Author	Index	Scale	Drawing No.	Page No.
Base bore pattern for all Blum runners	3/25/03	MLY	02	1:8	BUS0126	1

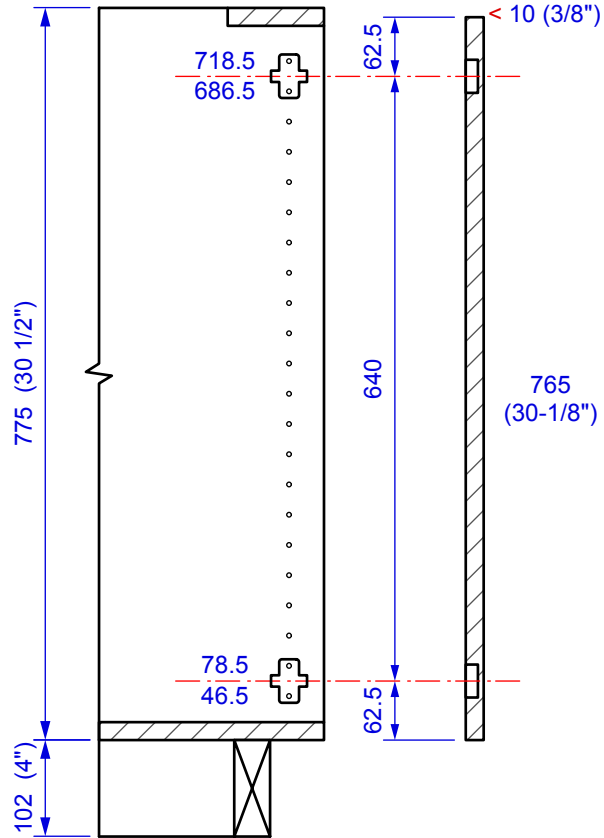
Subject to technical modifications without notice  
 Dimension in millimeters, inch equivalents as noted

System hole locations for hinge mounting plate  
- Measured from bottom of cabinet side

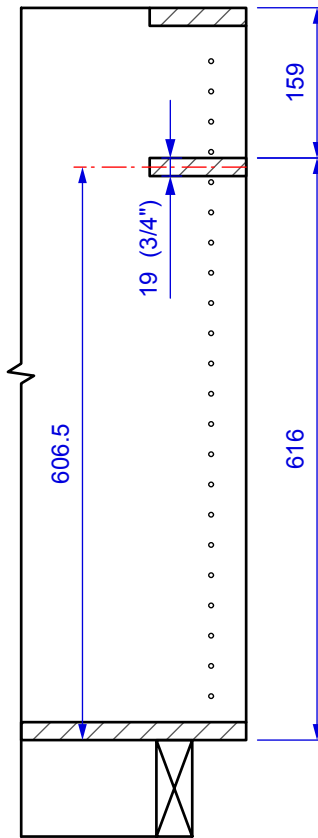
< Reveal dimensions  
Front dimensions

Cross rail positions

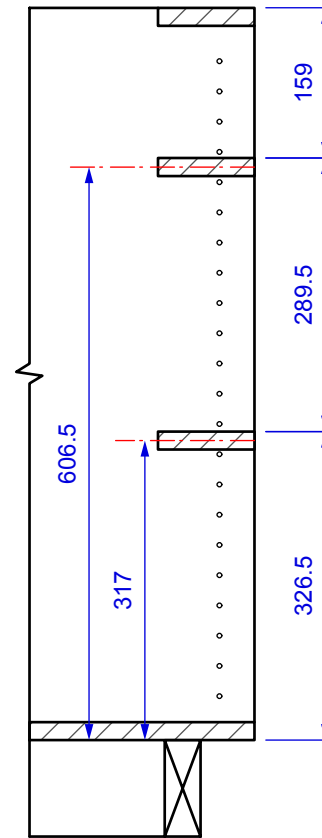
Centerline dimension of  
cross rails if material  
other than 3/4" is used



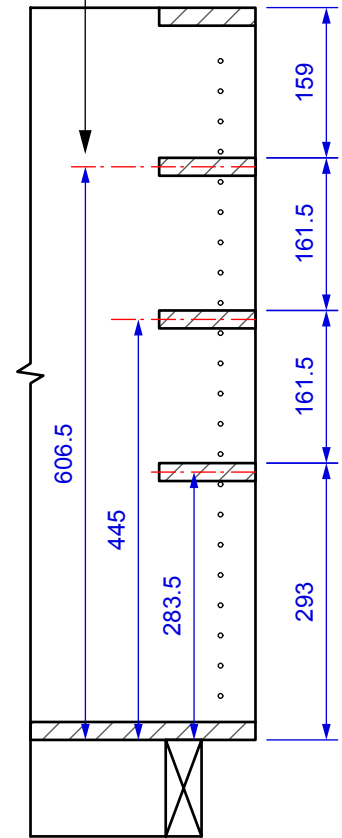
(A) 1 door



(B) 1 drawer, 1 door



(C) 3 drawers



(D) 4 drawers



Blum, Inc  
Stanley, NC 28164  
1-800-438-6788

Description

Base cabinet types

Date

3/25/04

Author

MLY

Index

02

Scale

1:8

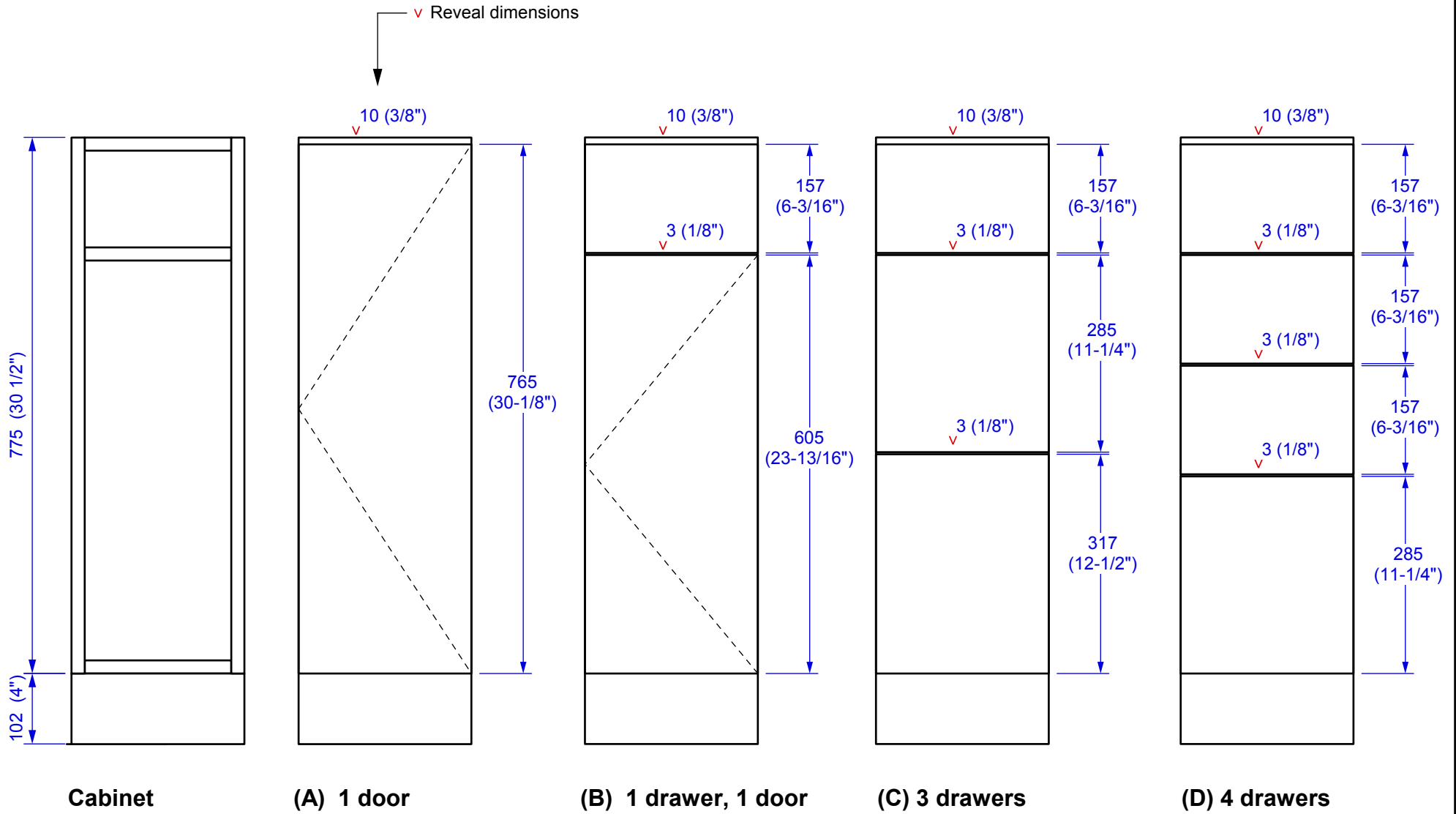
Drawing No.

BUS0126

Page No.

2

Subject to technical modifications without notice  
Dimension in millimeters, inch equivalents as noted



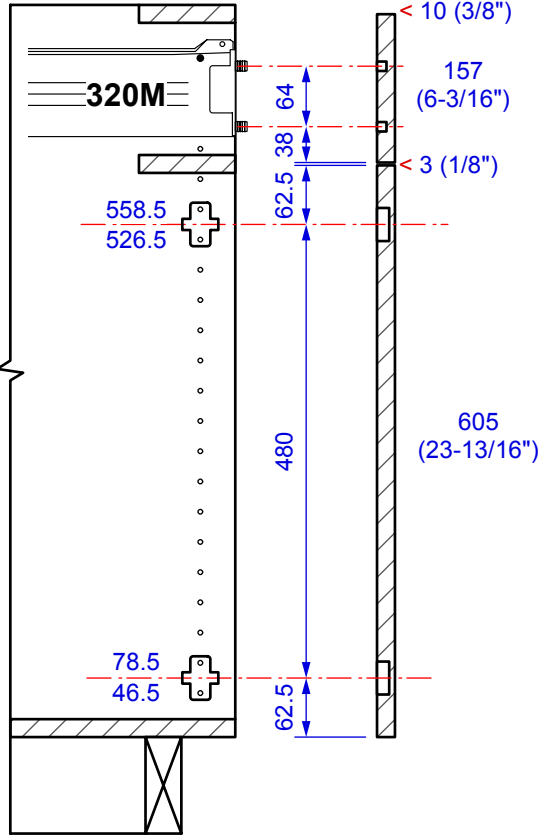
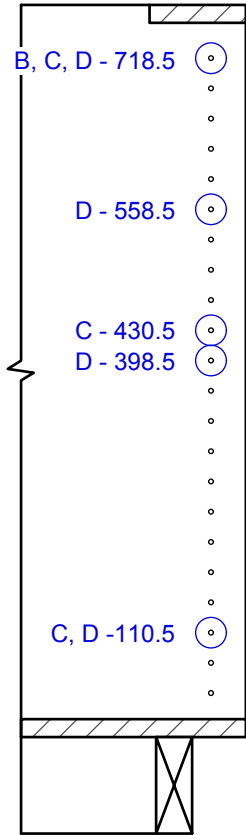
Blum, Inc  
 Stanley, NC 28164  
 1-800-438-6788

Description	Date	Author	Index	Scale	Drawing No.	Page No.
Base cabinet door & drawer front heights	2/21/03	MLY	01	1:8	BUS0126	3

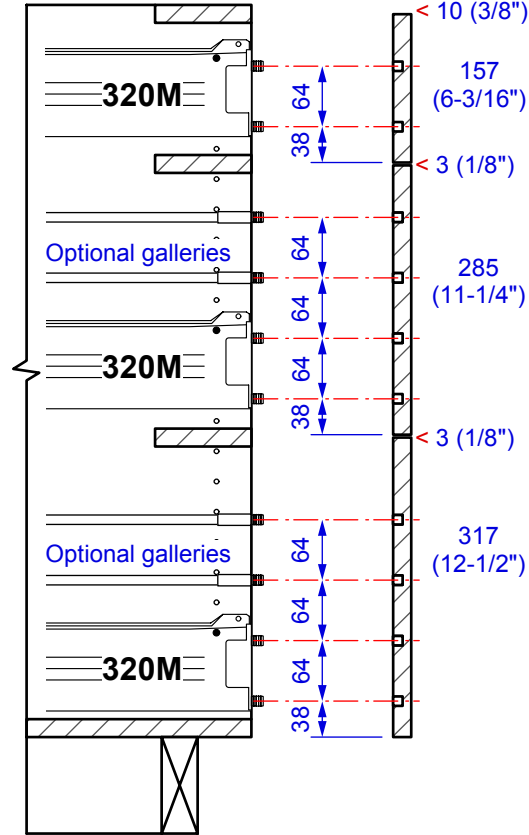
Subject to technical modifications without notice  
 Dimension in millimeters, inch equivalents as noted

System hole location for cabinet profile.  
 - Measured from bottom of cabinet side.  
 - To use 330 full extension versions, use next lowest hole

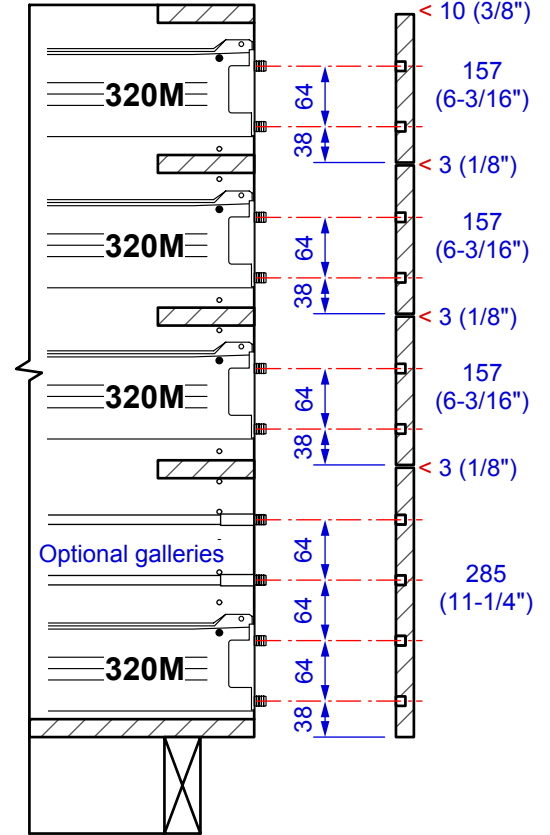
< Reveal dimensions  
 Front heights



(B) 1 drawer, 1 door



(C) 3 drawers



(D) 4 drawers



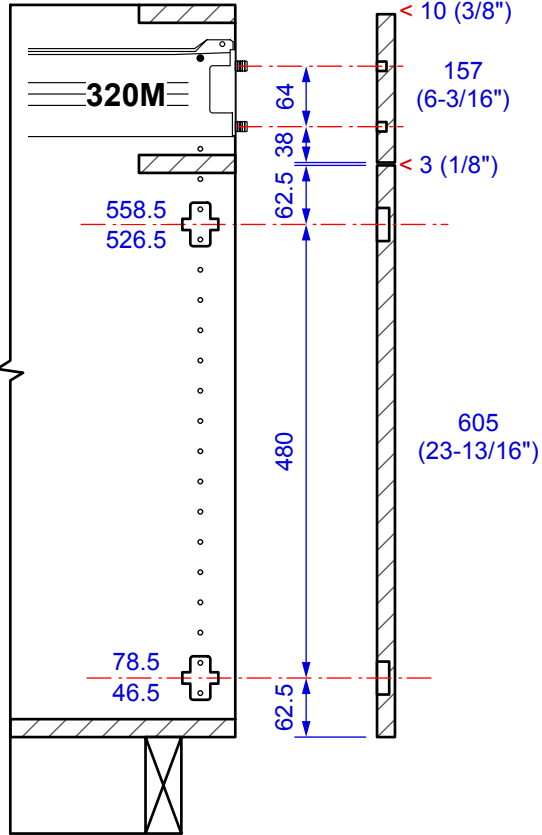
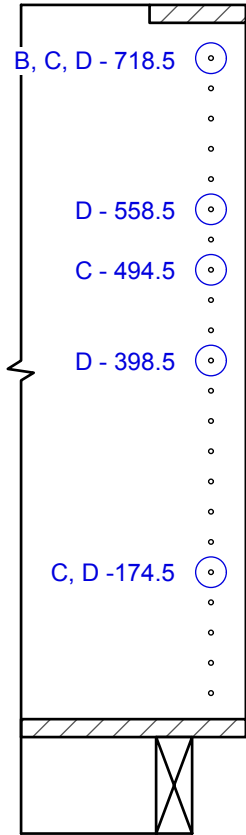
Blum, Inc  
 Stanley, NC 28164  
 1-800-438-6788

Description	Date	Author	Index	Scale	Drawing No.	Page No.
METABOX base pattern - all 320M	3/25/04	MLY	02	1:8	BUS0126	4

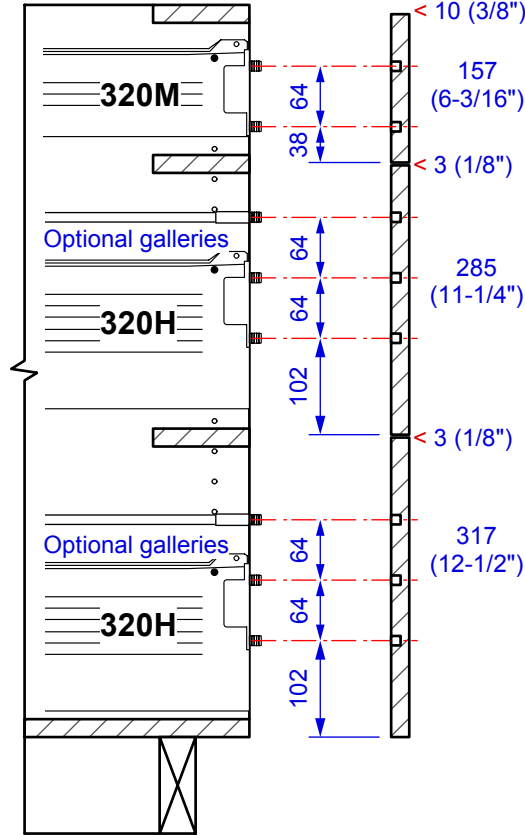
Subject to technical modifications without notice  
 Dimension in millimeters, inch equivalents as noted

System hole location for cabinet profile.  
 - Measured from bottom of cabinet side.  
 - To use 330 full extension versions, use next lowest hole

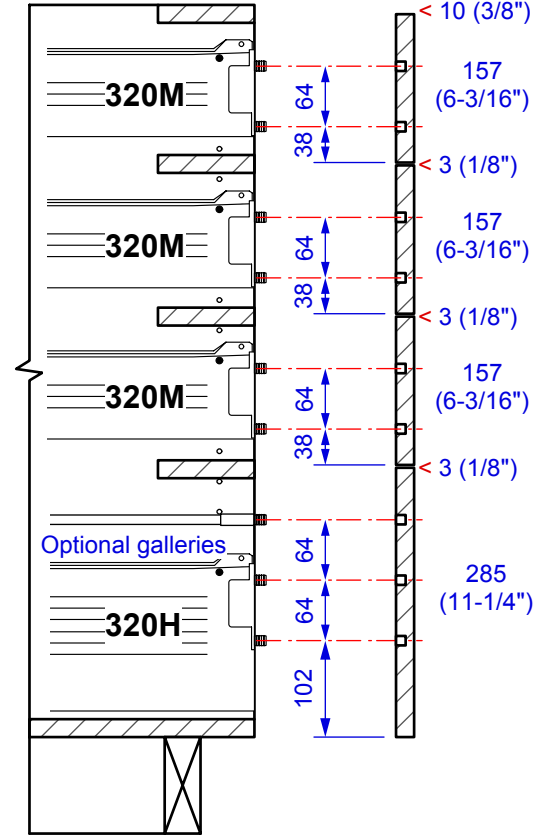
< Reveal dimensions  
 Front heights



(B) 1 drawer, 1 door



(C) 3 drawers



(D) 4 drawers



Blum, Inc  
 Stanley, NC 28164  
 1-800-438-6788

Description	Date	Author	Index	Scale	Drawing No.	Page No.
METABOX base pattern - 320M & 320H	3/25/04	MLY	02	1:8	BUS0126	5

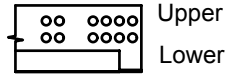
Subject to technical modifications without notice  
 Dimension in millimeters, inch equivalents as noted

System hole location for cabinet profile  
- Measured from bottom of cabinet side

Drawer box height  
Box to front dimension

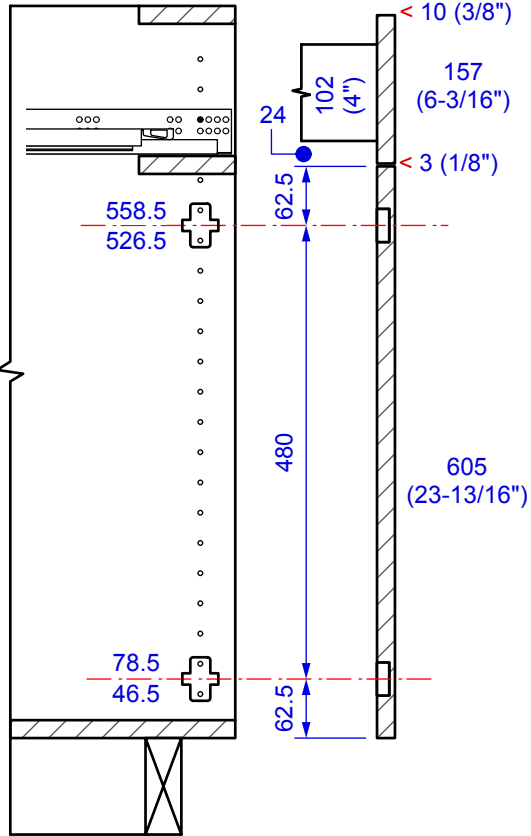
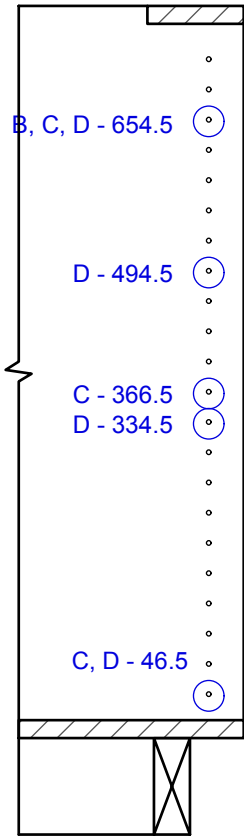
< Reveal dimensions  
Front heights

Runner mounting holes

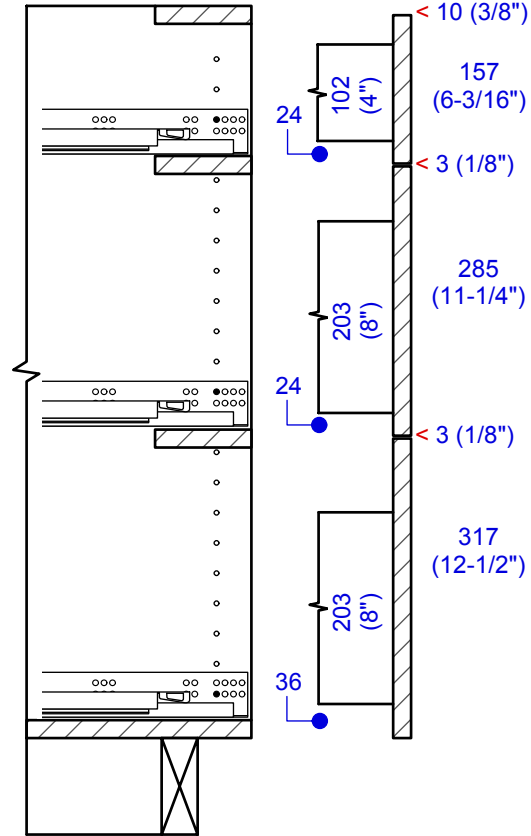


Upper  
Lower  
Use lower holes on  
bottom drawers only

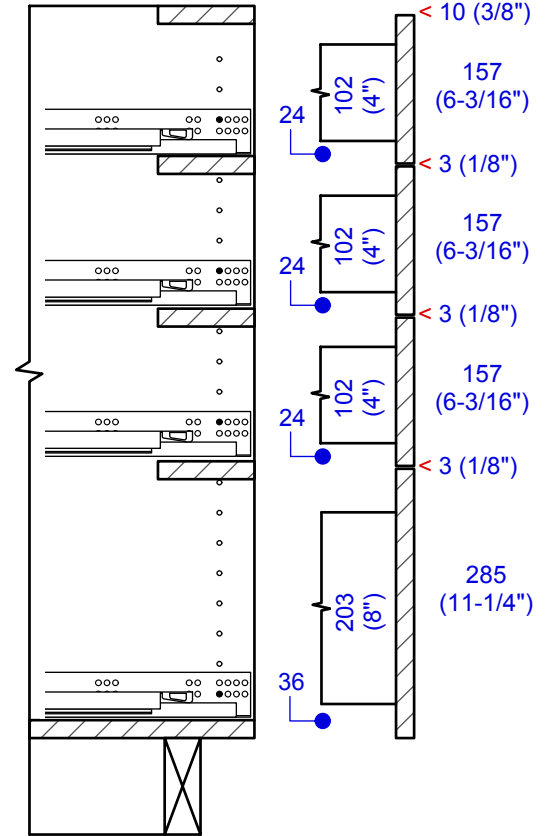
Tilt top drawer slightly to  
install & remove when  
using SOLO runners



(B) 1 drawer, 1 door



(C) 3 drawers



(D) 4 drawers



Blum, Inc  
Stanley, NC 28164  
1-800-438-6788

Description  
**TANDEM / SOLO pattern**

Date  
**3/25/04**

Author  
**MLY**

Index  
**02**

Scale  
**1:8**

Drawing No.  
**BUS0126**

Page No.  
**6**

Subject to technical modifications without notice  
Dimension in millimeters, inch equivalents as noted

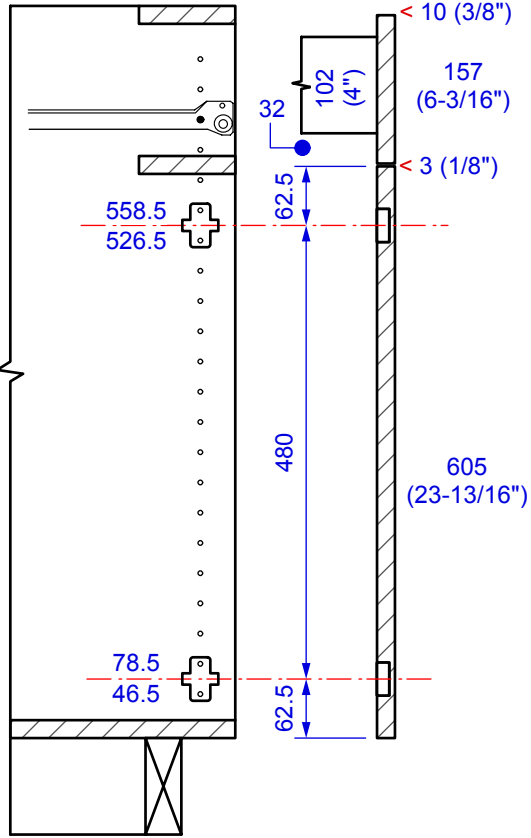
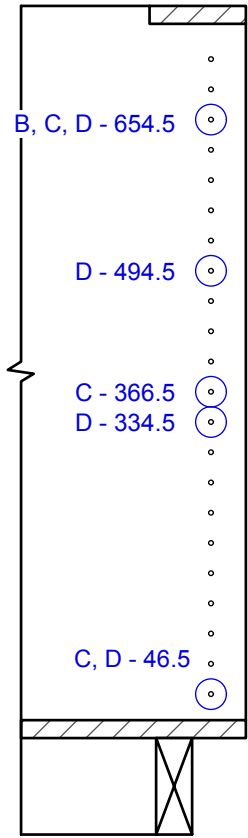


System hole location for cabinet profile  
 - Measured from bottom of cabinet side  
 - For 430 series use next highest hole

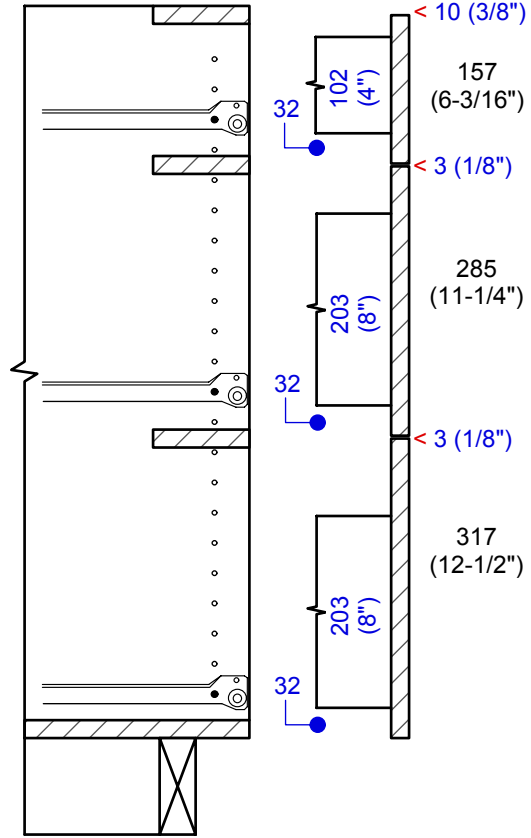
Drawer box height  
 Box to front dimension

< Reveal dimensions  
 Front heights

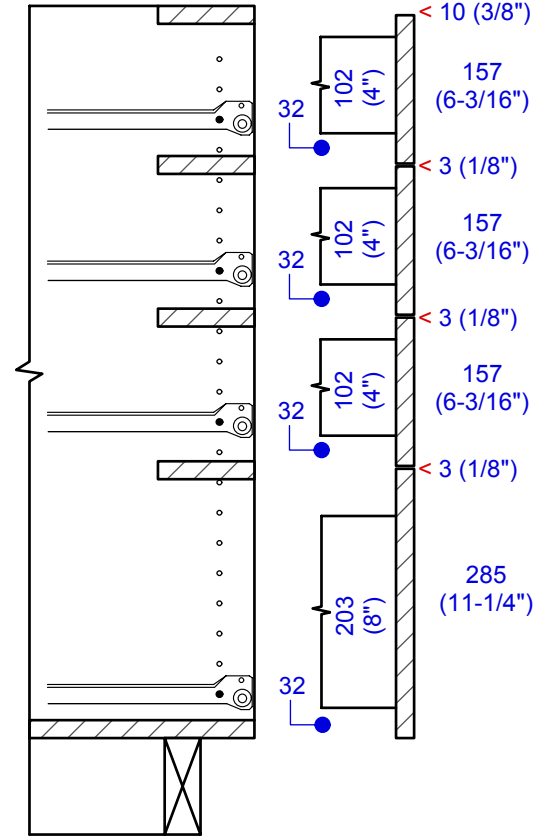
Tilt top drawer slightly to  
 install & remove



(B) 1 drawer, 1 door



(C) 3 drawers



(D) 4 drawers



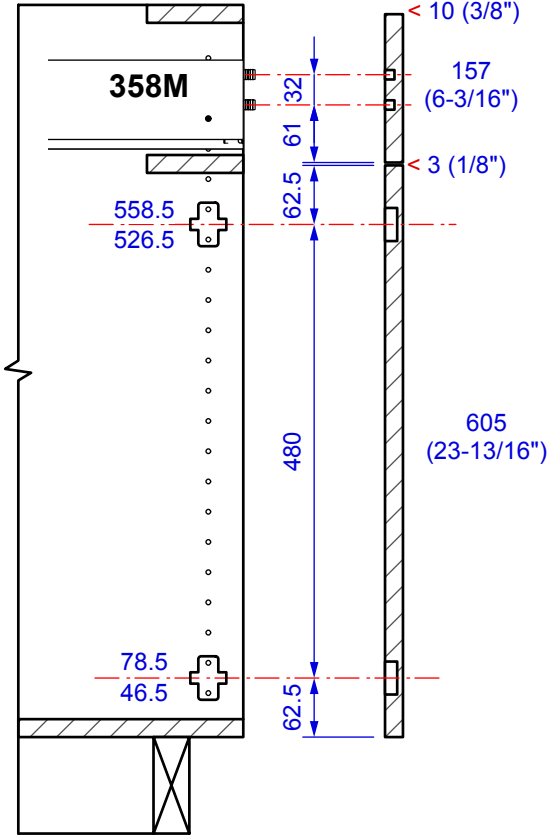
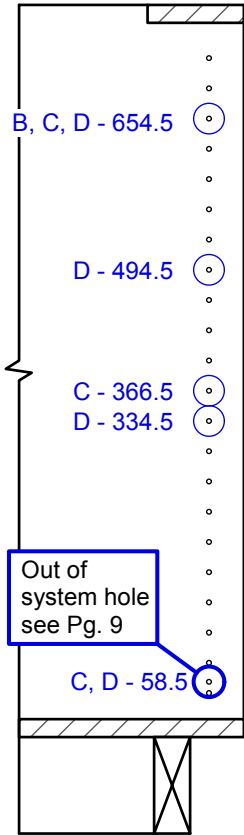
Blum, Inc  
 Stanley, NC 28164  
 1-800-438-6788

Description	Date	Author	Index	Scale	Drawing No.	Page No.
STANDARD runners base pattern	3/25/04	MLY	02	1:8	BUS0126	7

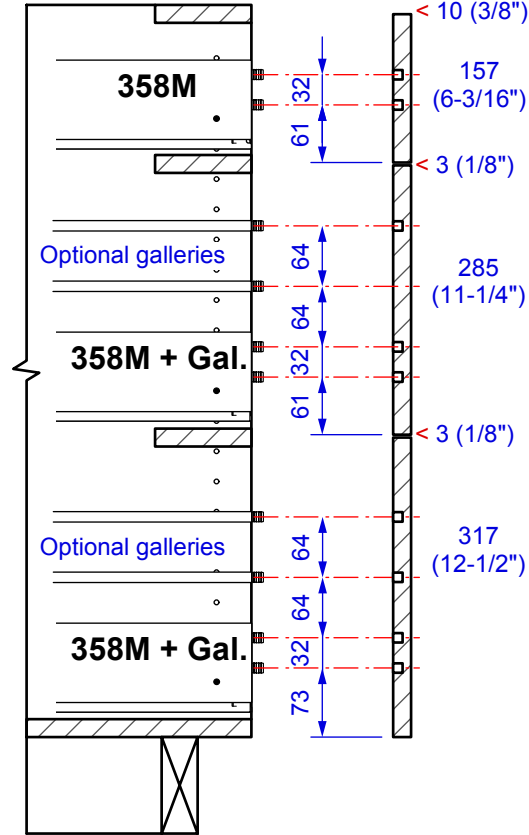
Subject to technical modifications without notice  
 Dimension in millimeters, inch equivalents as noted

System hole location for cabinet profile  
- Measured from bottom of cabinet side

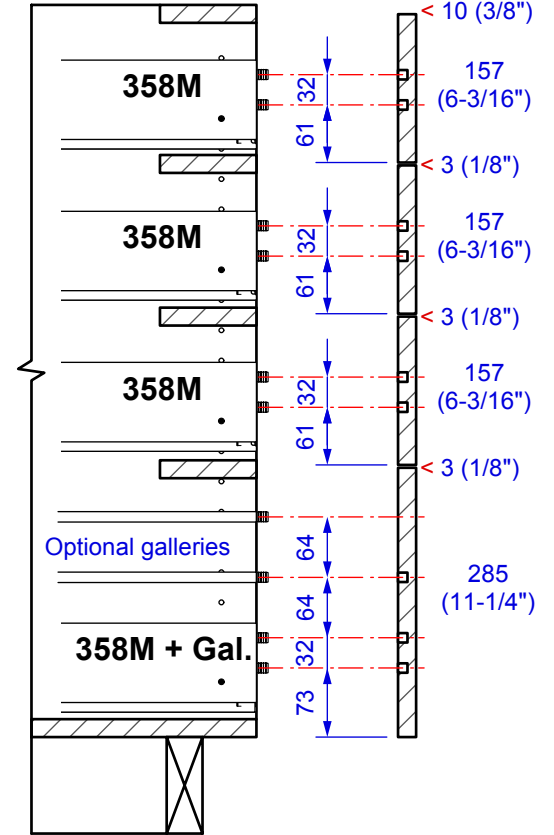
< Reveal dimensions  
Front heights



(B) 1 drawer, 1 door



(C) 3 drawers



(D) 4 drawers

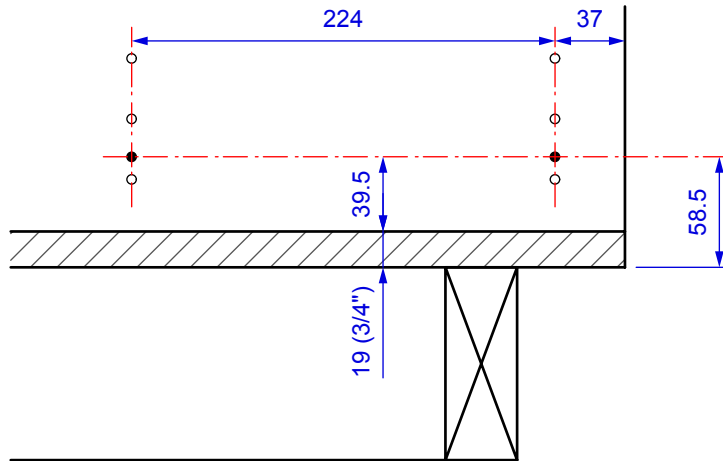


Blum, Inc  
Stanley, NC 28164  
1-800-438-6788

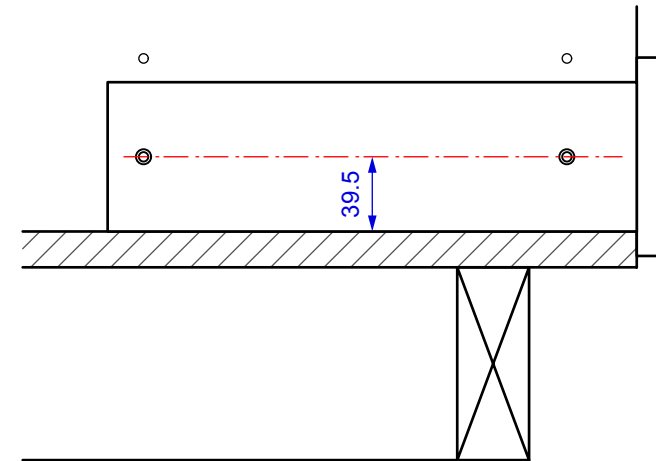
Description	Date	Author	Index	Scale	Drawing No.	Page No.
TANDEMBOX base pattern	3/25/04	MLY	04	1:8	BUS0126	8

Subject to technical modifications without notice  
Dimension in millimeters, inch equivalents as noted

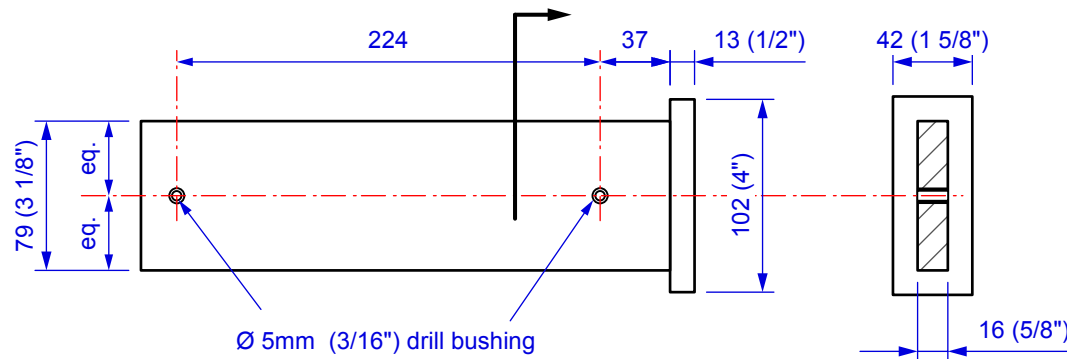
The lower holes on 358M TANDEMBOX runners are not accessible. Mounting holes must be manually drilled only for the bottom drawer at 58.5mm. For accuracy make the drilling template shown.



Special drilling for bottom drawer



Template positioned in cabinet



Drilling Template Side View

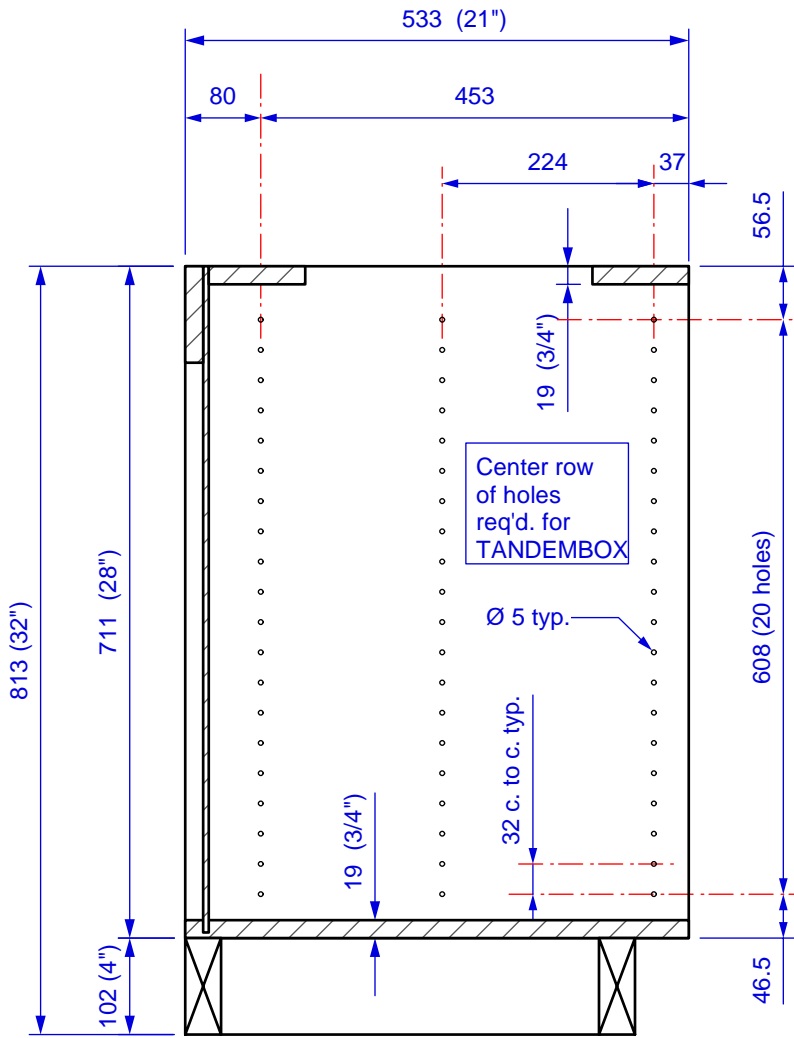
Section



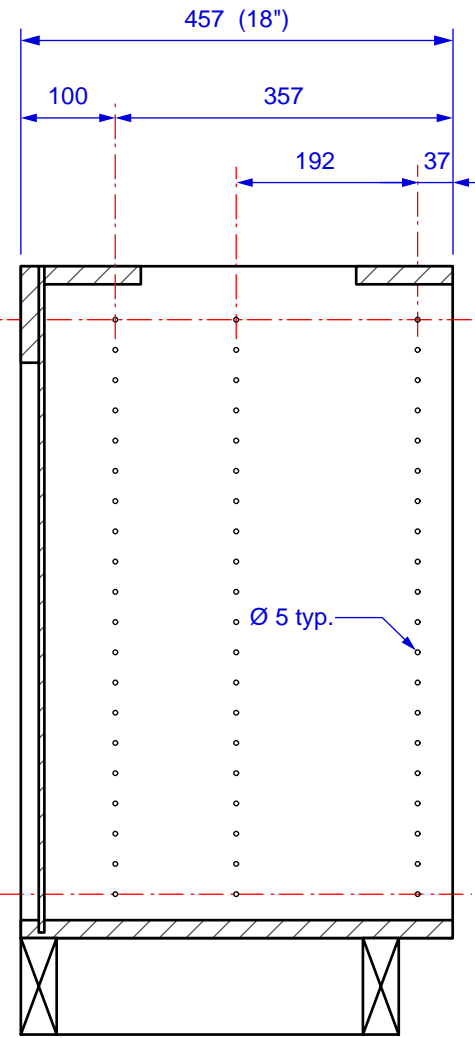
Julius Blum, Inc  
Stanley, NC 28164  
1-800-438-6788

Subject to technical modifications without notice  
Dimension in millimeters, inch equivalents as noted

Description	Date	Author	Index	Scale	Drawing No.	Page No.
Template for TANDEMBOX bottom drawers	3/25/03	MLY	00	1:5	BUS0126	9



Vanity cabinet - 21" deep



Vanity cabinet - 18" deep



Blum, Inc  
Stanley, NC 28164  
1-800-438-6788

Description  
*Vanity bore pattern for all Blum runners*

Date  
3/12/04

Author  
MLY

Index  
00

Scale  
1:8

Drawing No.  
BUS0126

Page No.  
10

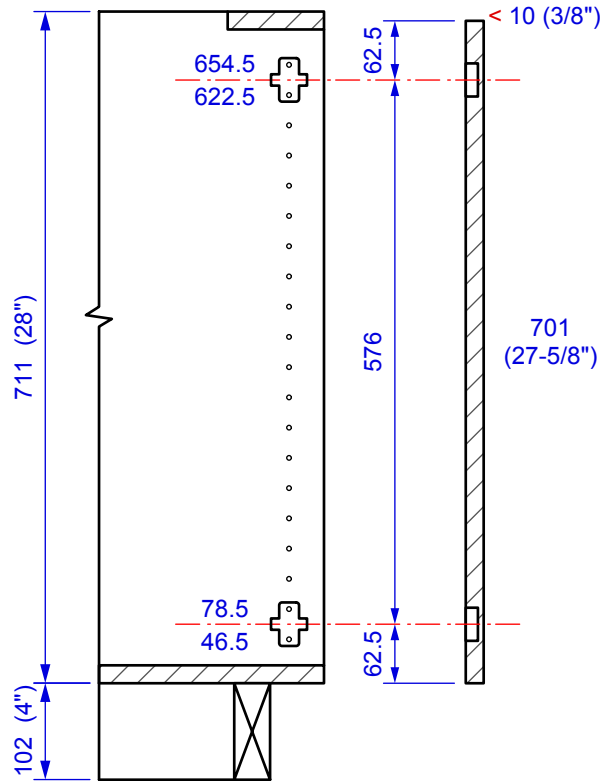
Subject to technical modifications without notice  
Dimension in millimeters, inch equivalents as noted

System hole locations for hinge mounting plate  
- Measured from bottom of cabinet side

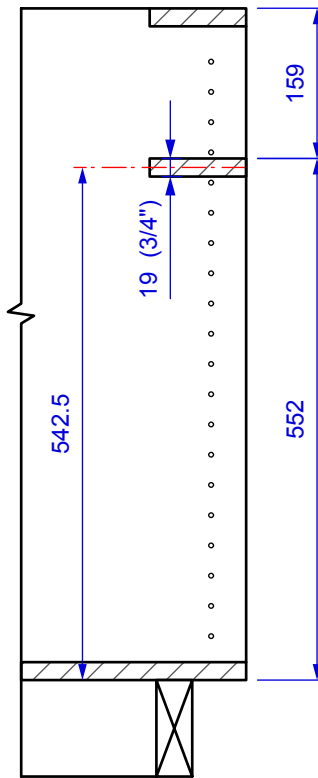
< Reveal dimensions  
Front dimensions

Cross rail positions

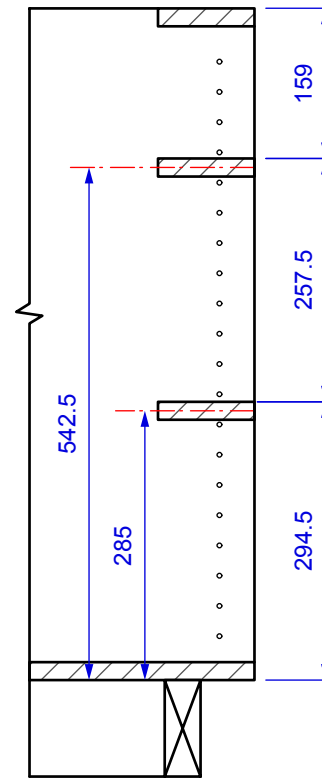
Centerline dimension of  
cross rails if material  
other than 3/4" is used



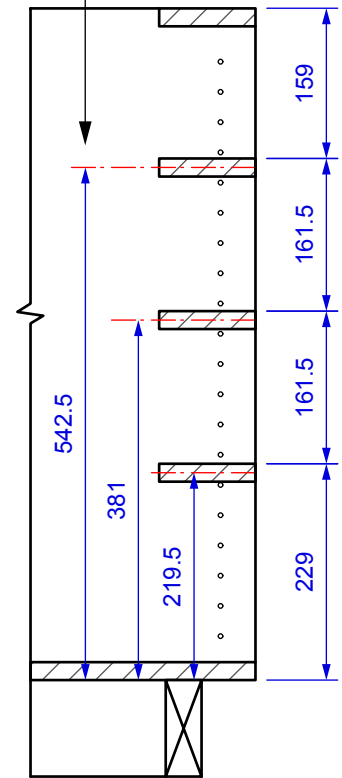
(A) 1 door



(B) 1 drawer, 1 door



(C) 3 drawers



(D) 4 drawers



Blum, Inc  
Stanley, NC 28164  
1-800-438-6788

Description  
*Vanity cabinet types*

Date  
3/25/04

Author  
MLY

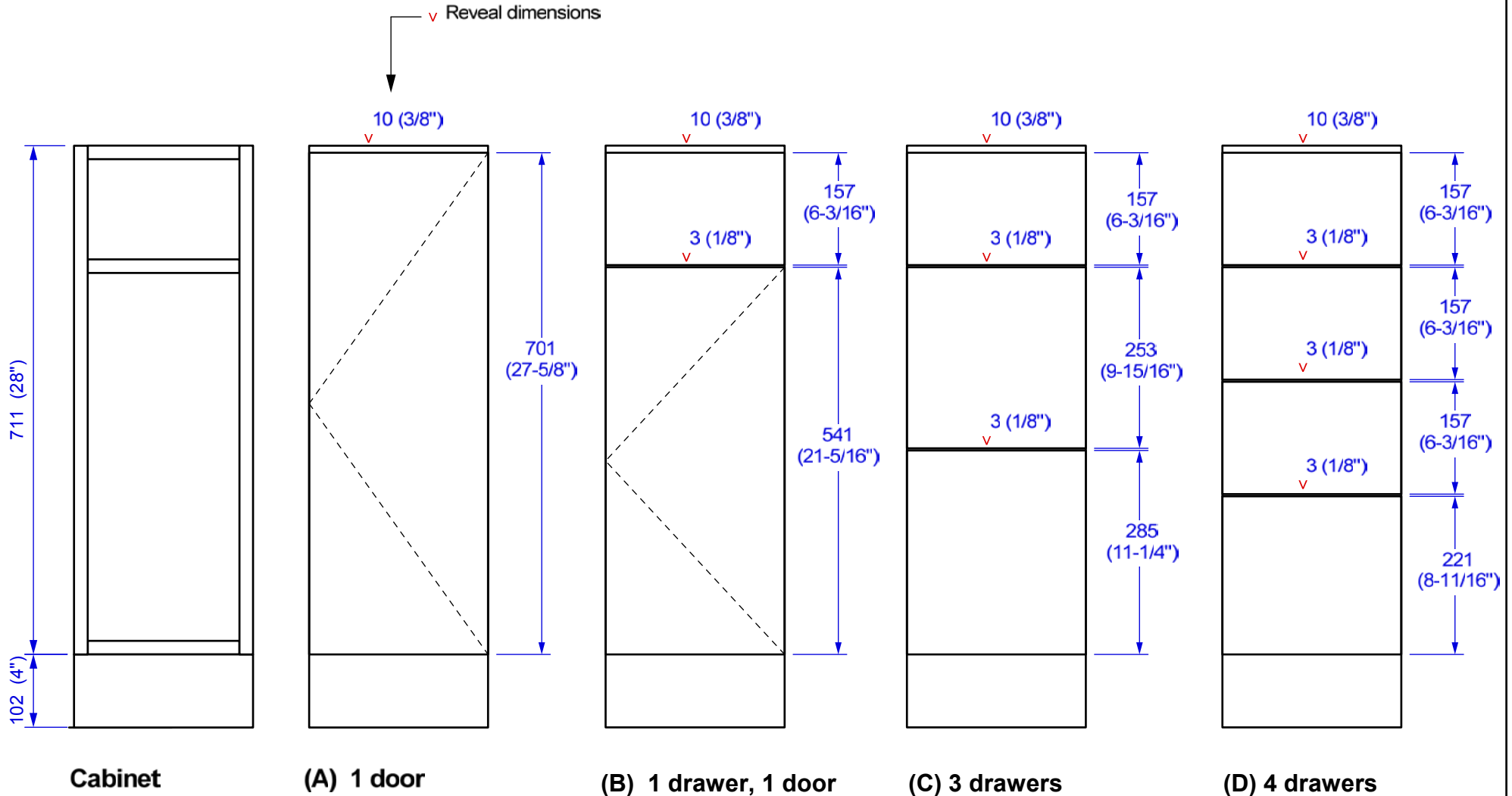
Index  
01

Scale  
1:8

Drawing No.  
BUS0126

Page No.  
11

Subject to technical modifications without notice  
Dimension in millimeters, inch equivalents as noted



Blum, Inc  
Stanley, NC 28164  
1-800-438-6788

Description  
*Vanity door & drawer front heights*

Date  
3/12/04

Author  
MLY

Index  
00

Scale  
1:8

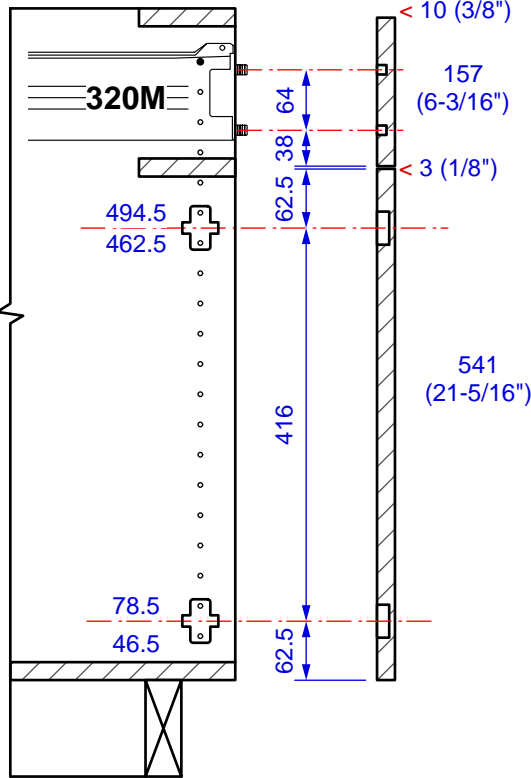
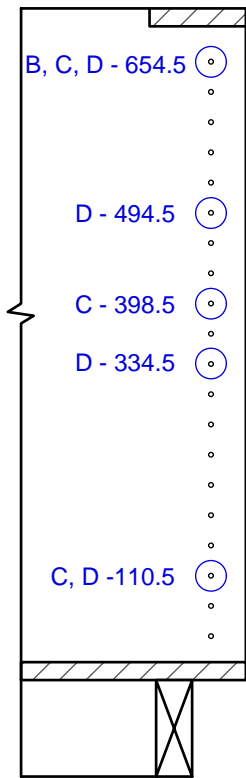
Drawing No.  
BUS0126

Page No.  
12

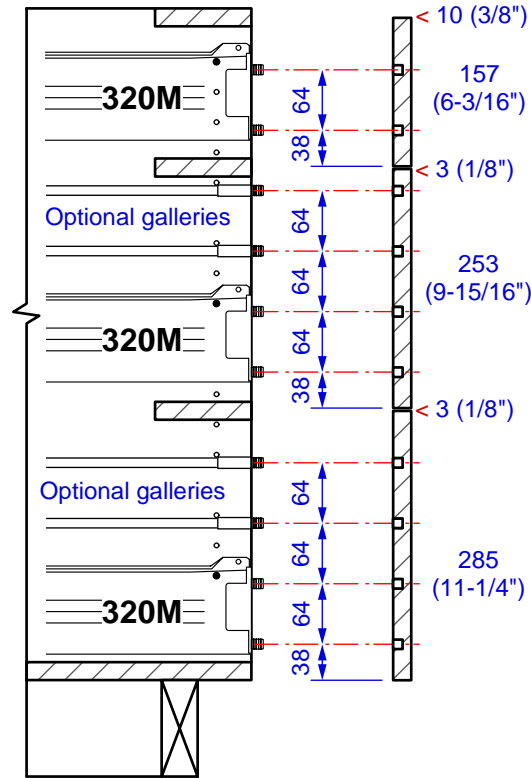
Subject to technical modifications without notice  
Dimension in millimeters, inch equivalents as noted

System hole location for cabinet profile.  
 - Measured from bottom of cabinet side.  
 - To use 330 full extension versions, use next lowest hole

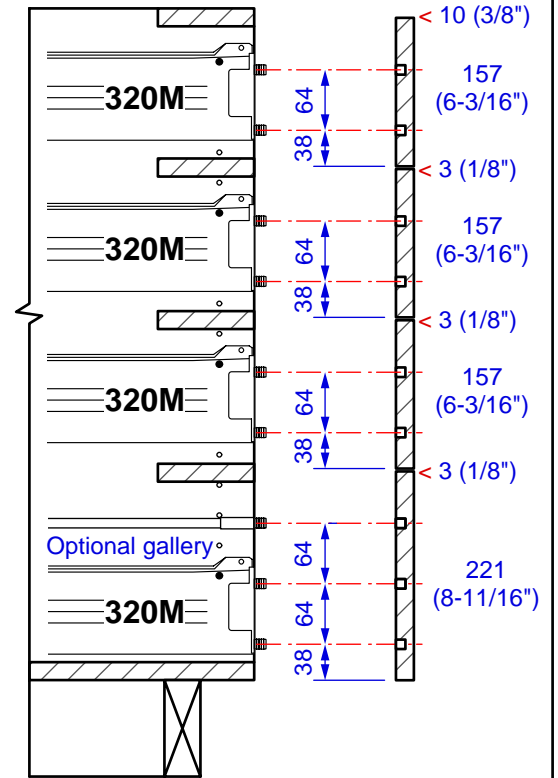
< Reveal dimensions  
 Front heights



(B) 1 drawer, 1 door



(C) 3 drawers



(D) 4 drawers



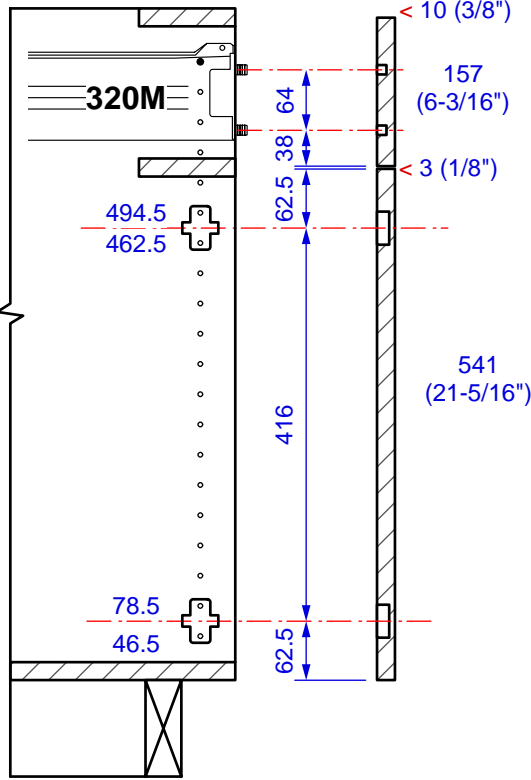
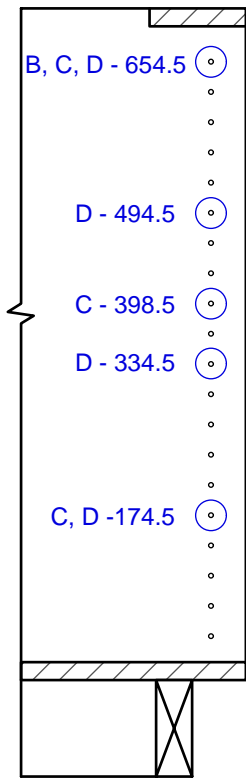
Blum, Inc  
 Stanley, NC 28164  
 1-800-438-6788

Description	Date	Author	Index	Scale	Drawing No.	Page No.
METABOX vanity pattern - all 320M	4/12/04	MLY	02	1:8	BUS0126	13

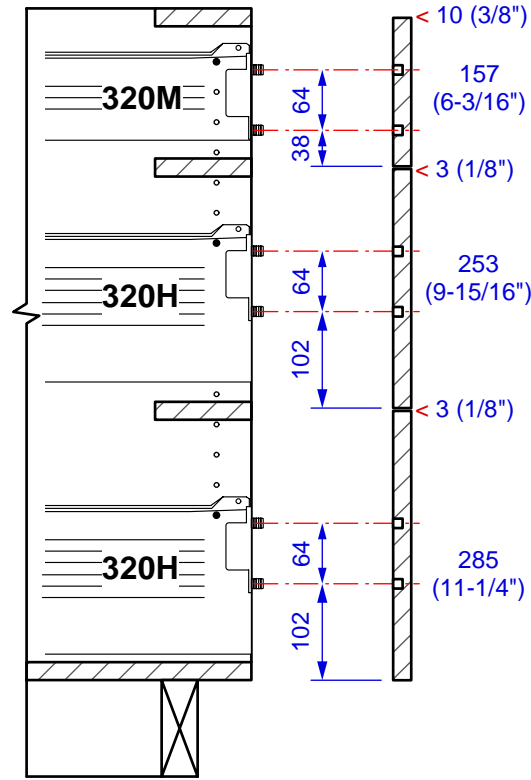
Subject to technical modifications without notice  
 Dimension in millimeters, inch equivalents as noted

System hole location for cabinet profile.  
 - Measured from bottom of cabinet side.  
 - To use 330 full extension versions, use next lowest hole

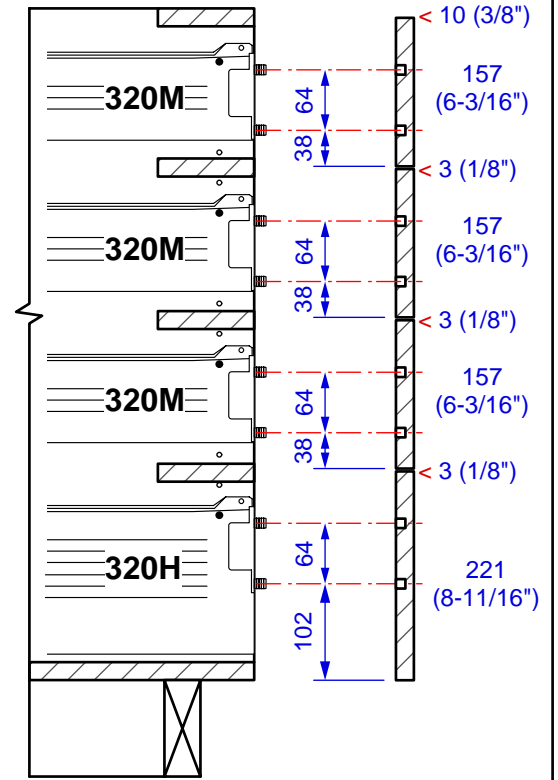
< Reveal dimensions  
 Front heights



(B) 1 drawer, 1 door



(C) 3 drawers



(D) 4 drawers



Blum, Inc  
 Stanley, NC 28164  
 1-800-438-6788

Description	Date	Author	Index	Scale	Drawing No.	Page No.
METABOX vanity pattern - 320M and H	4/12/04	MLY	02	1:8	BUS0126	14

Subject to technical modifications without notice  
 Dimension in millimeters, inch equivalents as noted

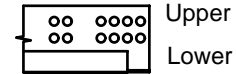


System hole location for cabinet profile.  
- Measured from bottom of cabinet side.

Drawer box height  
Box to front dimension

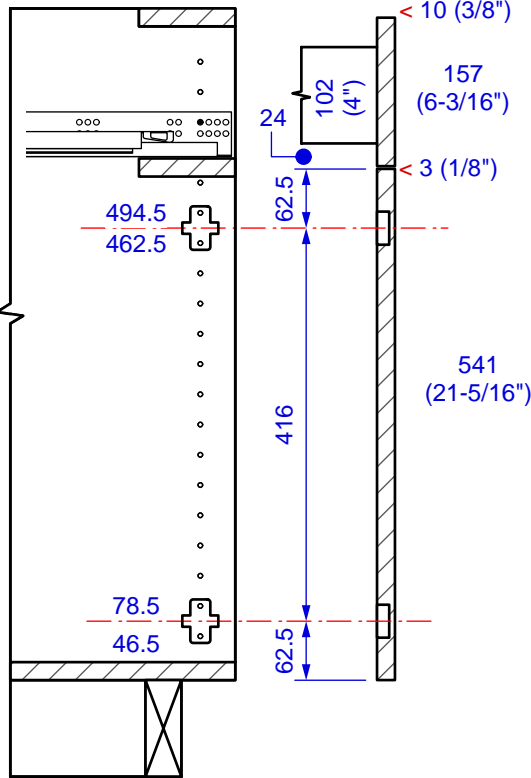
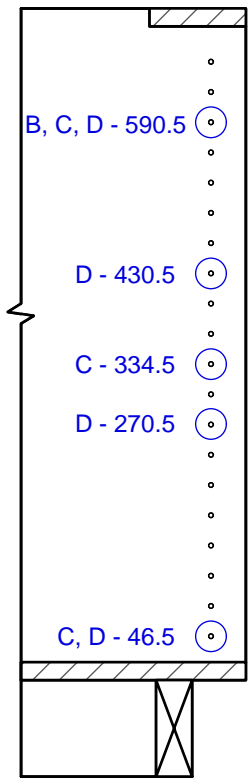
< Reveal dimensions  
Front heights

Runner mounting holes

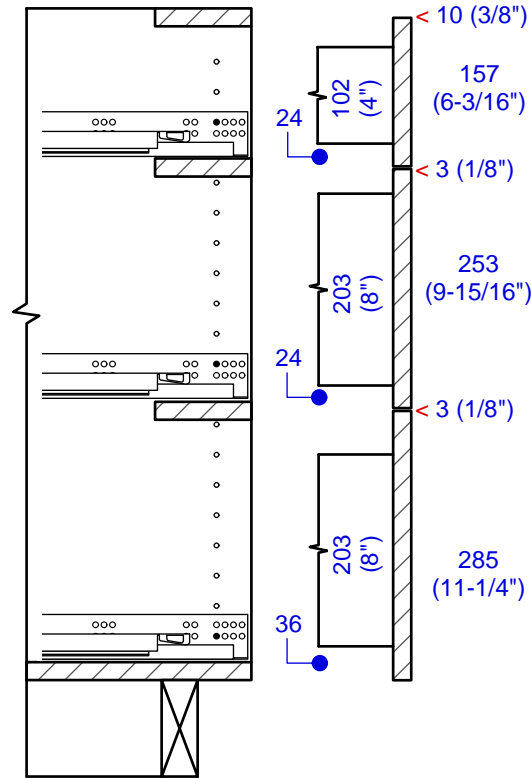


Use lower holes on  
bottom drawers only

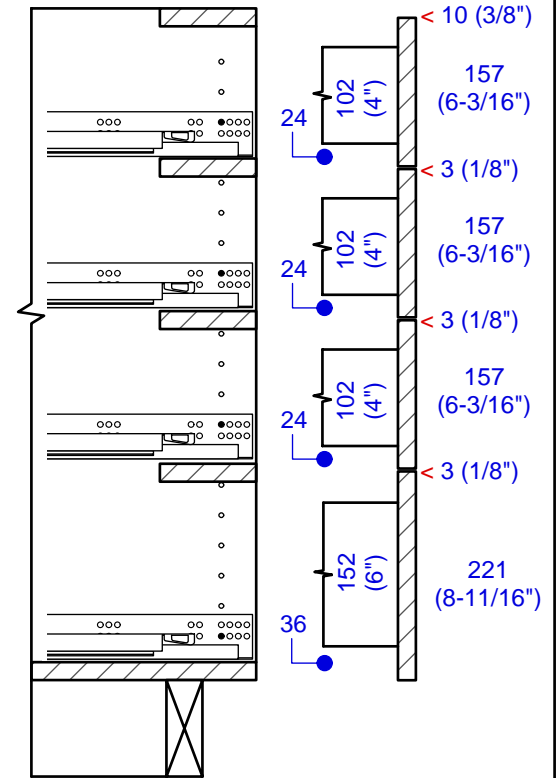
Tilt top drawer slightly to  
install & remove when  
using SOLO runners



(B) 1 drawer, 1 door



(C) 3 drawers



(D) 4 drawers



Blum, Inc  
Stanley, NC 28164  
1-800-438-6788

Description

TANDEM / SOLO vanity pattern

Date

4/12/04

Author

MLY

Index

02

Scale

1:8

Drawing No.

BUS0126

Page No.

15

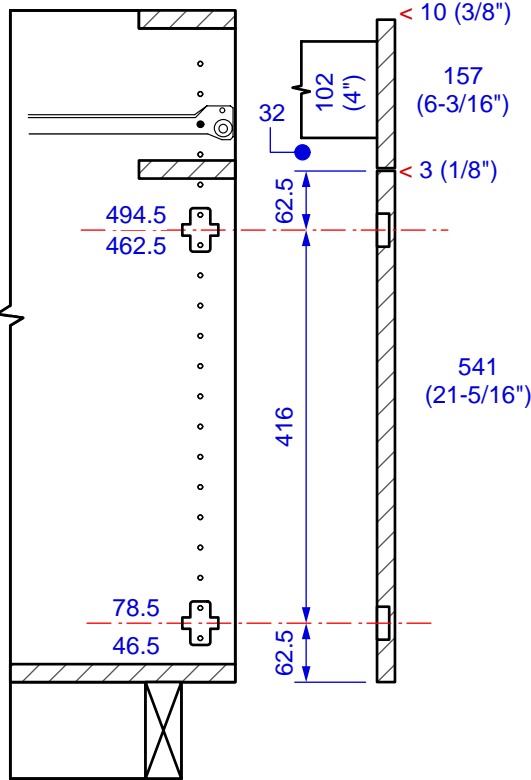
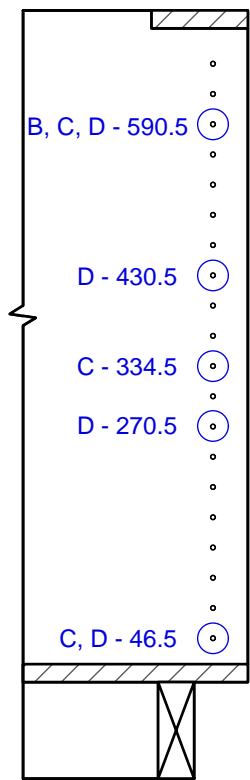
Subject to technical modifications without notice  
Dimension in millimeters, inch equivalents as noted

System hole location for cabinet profile  
 - Measured from bottom of cabinet side  
 - For 430 series use next highest hole

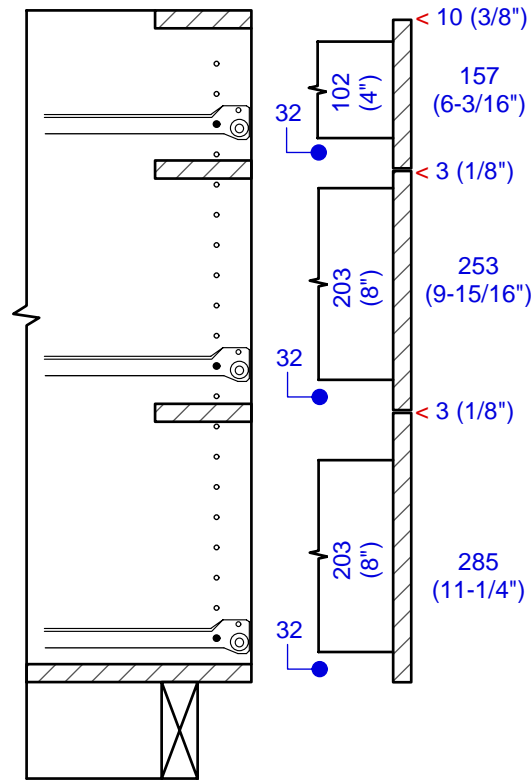
Drawer box height  
 Box to front dimension

< Reveal dimensions  
 Front heights

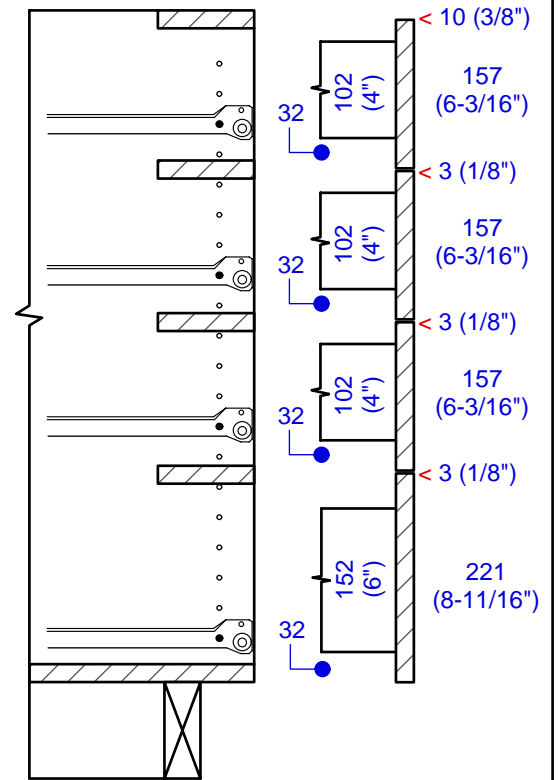
Tilt top drawer slightly to  
 install & remove



(B) 1 drawer, 1 door



(C) 3 drawers



(D) 4 drawers



Blum, Inc  
 Stanley, NC 28164  
 1-800-438-6788

Description

Standard runners vanity pattern

Date

4/12/04

Author

MLY

Index

02

Scale

1:8

Drawing No.

BUS0126

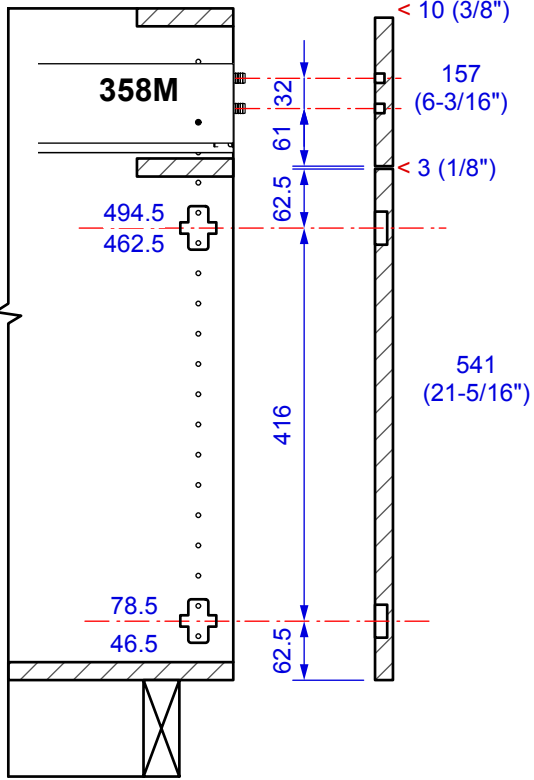
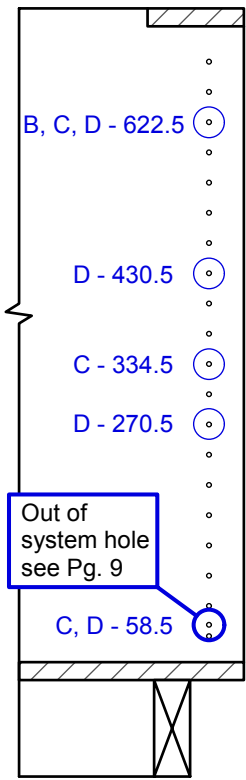
Page No.

16

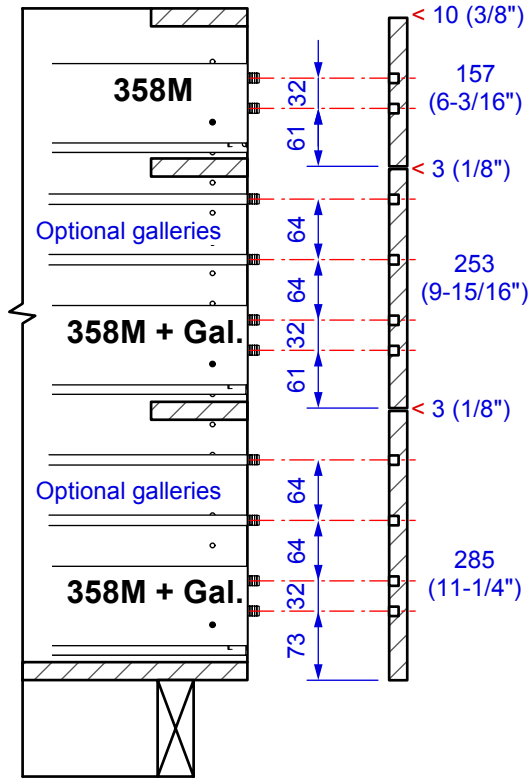
Subject to technical modifications without notice  
 Dimension in millimeters, inch equivalents as noted

System hole location for cabinet profile  
 - Measured from bottom of cabinet side

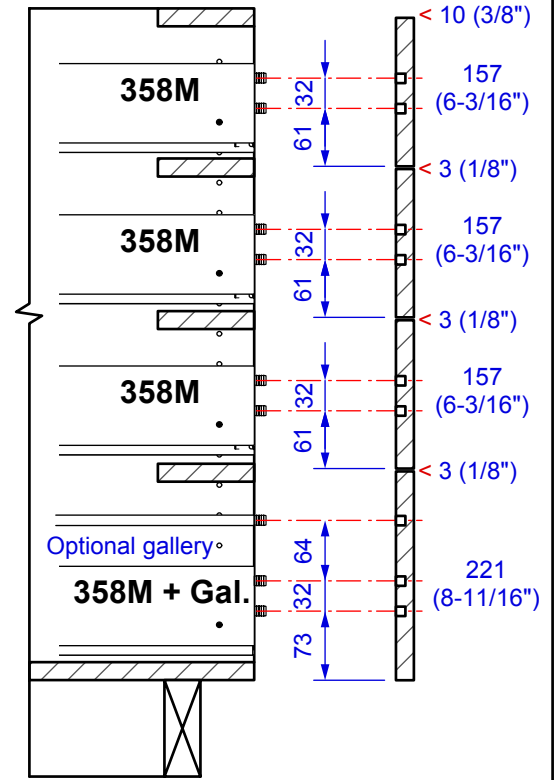
< Reveal dimensions  
 Front heights



(B) 1 drawer, 1 door



(C) 3 drawers



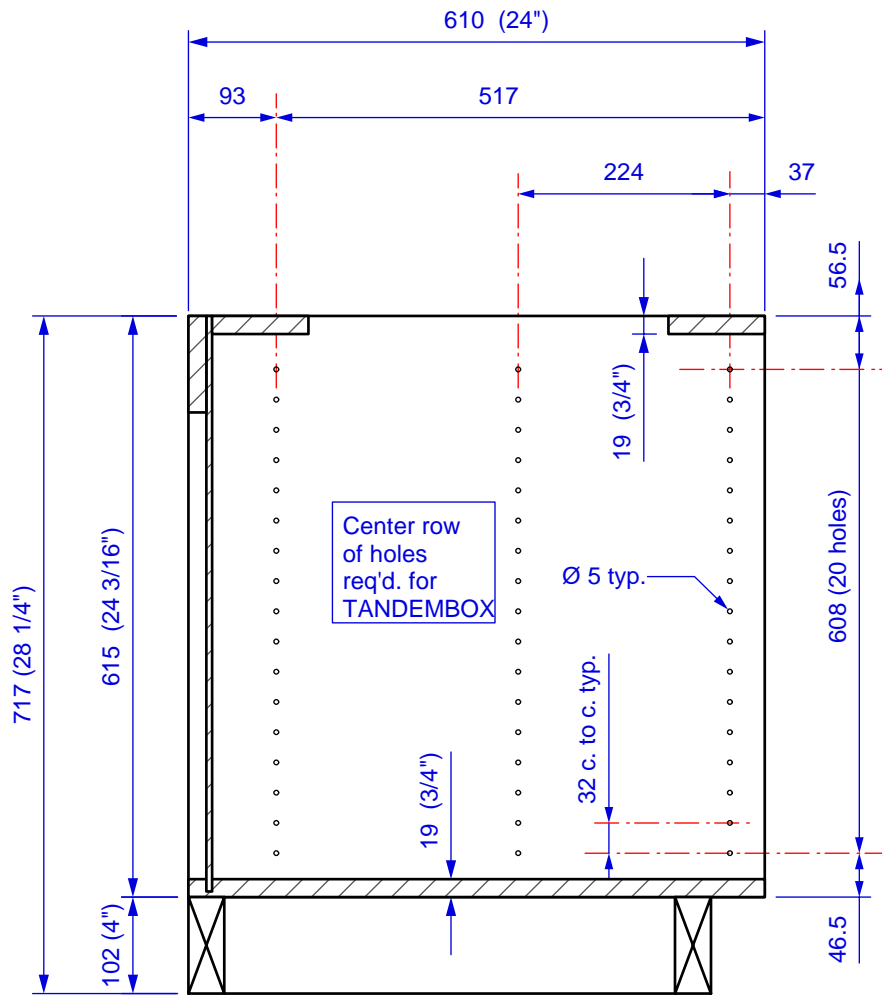
(D) 4 drawers



Blum, Inc  
 Stanley, NC 28164  
 1-800-438-6788

Description	Date	Author	Index	Scale	Drawing No.	Page No.
TANDEMBOX vanity pattern	3/25/04	MLY	01	1:8	BUS0126	17

Subject to technical modifications without notice  
 Dimension in millimeters, inch equivalents as noted



Desk cabinet - 24" deep



Blum, Inc  
 Stanley, NC 28164  
 1-800-438-6788

Description  
 Desk bore pattern for all Blum runners

Date  
 3/26/04

Author  
 MLY

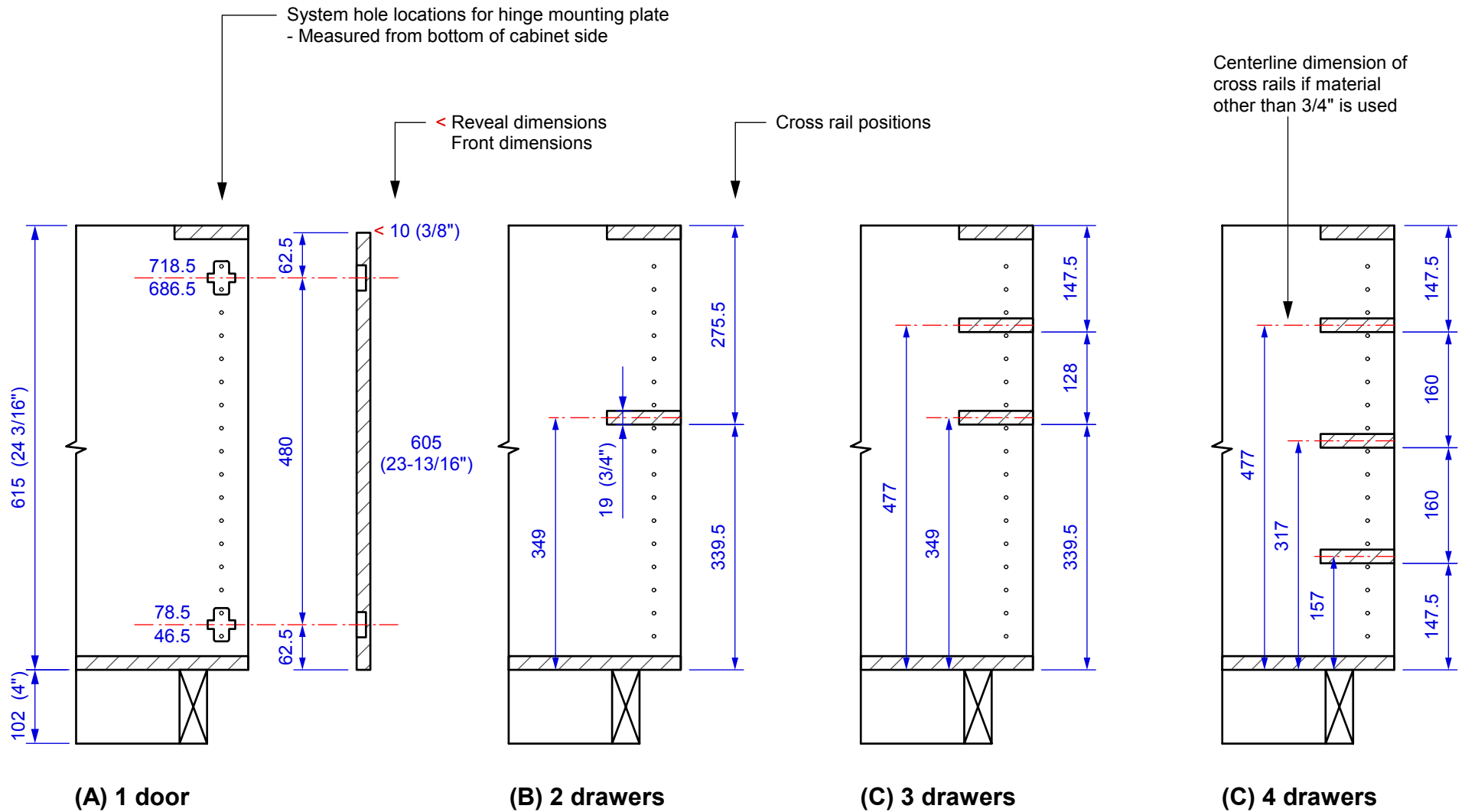
Index  
 00

Scale  
 1:8

Drawing No.  
 BUS0126

Page No.  
 18

Subject to technical modifications without notice  
 Dimension in millimeters, inch equivalents as noted



Blum, Inc  
Stanley, NC 28164  
1-800-438-6788

Description  
**Desk cabinet types**

Date  
**3/25/04**

Author  
**MLY**

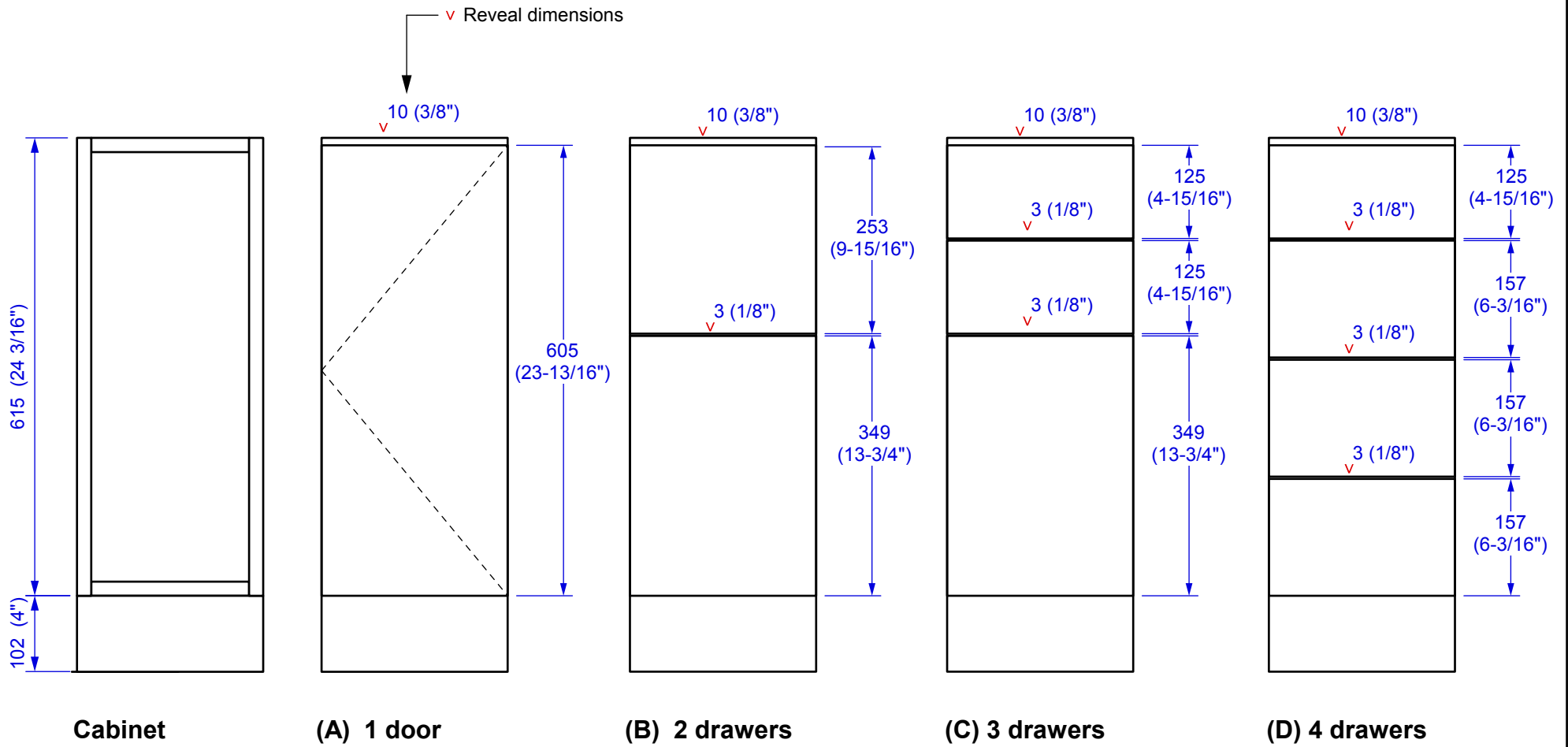
Index  
**00**

Scale  
**1:8**

Drawing No.  
**BUS0126**

Page No.  
**19**

Subject to technical modifications without notice  
Dimension in millimeters, inch equivalents as noted

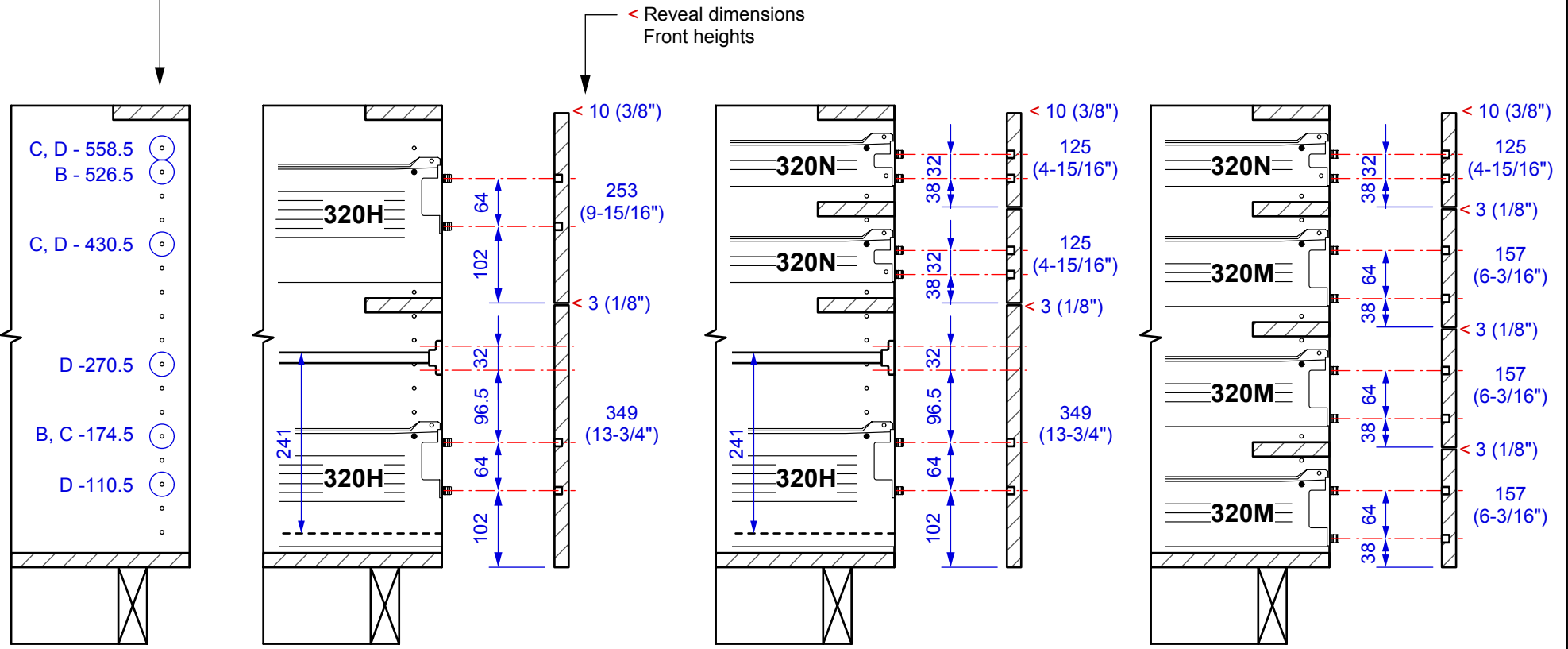


Blum, Inc  
 Stanley, NC 28164  
 1-800-438-6788

Subject to technical modifications without notice  
 Dimension in millimeters, inch equivalents as noted

Description	Date	Author	Index	Scale	Drawing No.	Page No.
Desk cabinet door & drawer front heights	3/25/04	MLY	00	1:8	BUS0126	20

System hole location for cabinet profile.  
 - Measured from bottom of cabinet side.  
 - To use 330 full extension versions, use next lowest hole  
 (H and M drawers only)



**(B) 2 drawers**

**(C) 3 drawers**

**(D) 4 drawers**

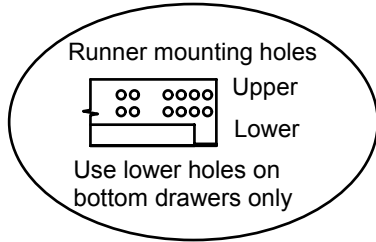


Blum, Inc  
 Stanley, NC 28164  
 1-800-438-6788

Description	Date	Author	Index	Scale	Drawing No.	Page No.
METABOX desk pattern	3/25/04	MLY	00	1:8	BUS0126	21

Subject to technical modifications without notice  
 Dimension in millimeters, inch equivalents as noted

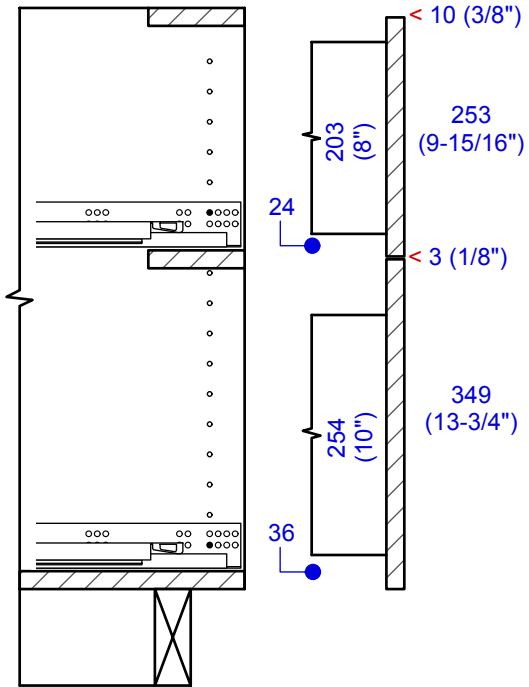
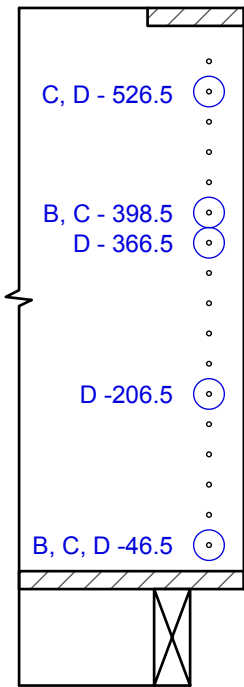
System hole location for cabinet profile.  
- Measured from bottom of cabinet side.



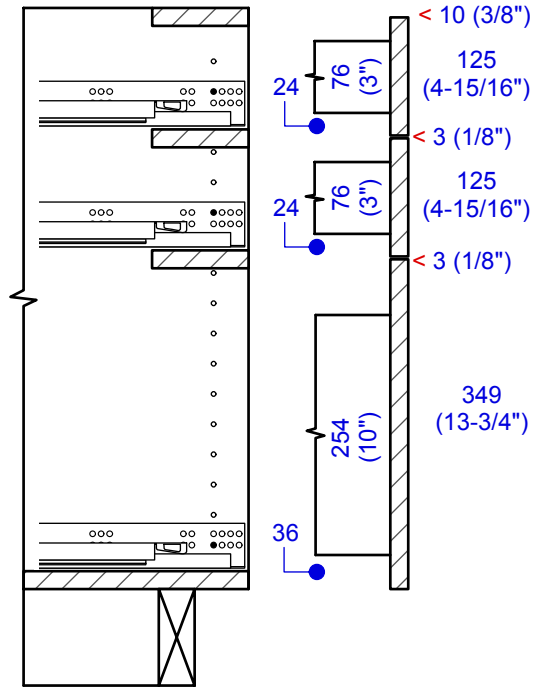
Drawer box height  
Box to front dimension

< Reveal dimensions  
Front heights

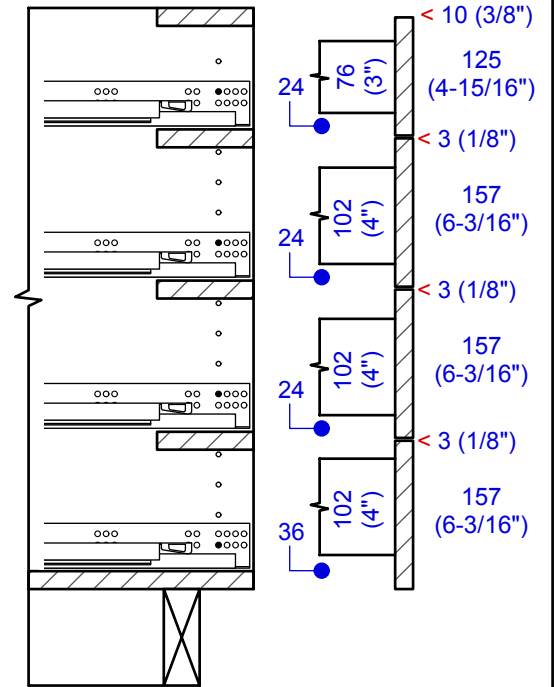
Tilt top drawer slightly to  
install & remove when  
using SOLO runners



(B) 2 drawers



(C) 3 drawers



(D) 4 drawers



Blum, Inc  
Stanley, NC 28164  
1-800-438-6788

Description	Date	Author	Index	Scale	Drawing No.	Page No.
TANDEM / SOLO desk pattern	3/25/04	MLY	00	1:8	BUS0126	22

Subject to technical modifications without notice  
Dimension in millimeters, inch equivalents as noted

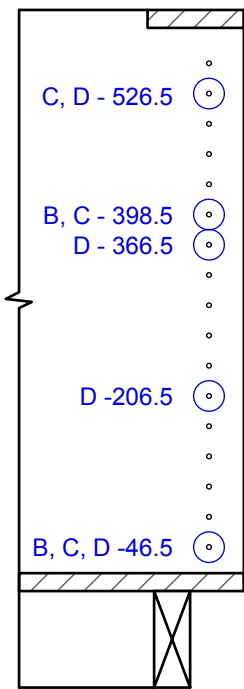


System hole location for cabinet profile  
 - Measured from bottom of cabinet side  
 - For 430 series use next highest hole

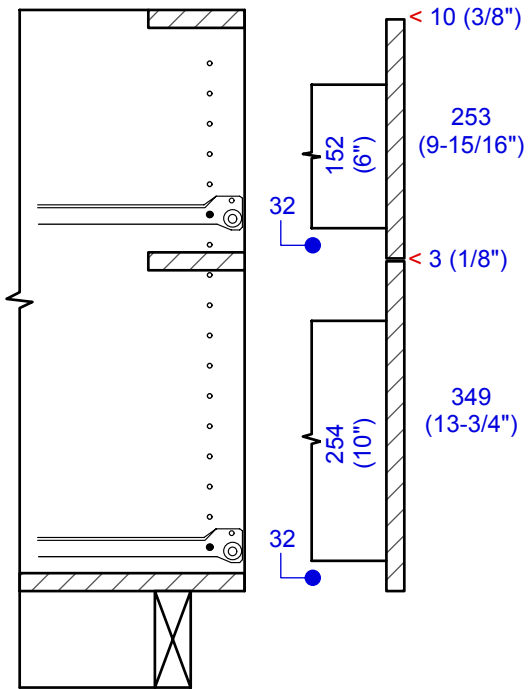
Drawer box height  
 Box to front dimension

< Reveal dimensions  
 Front heights

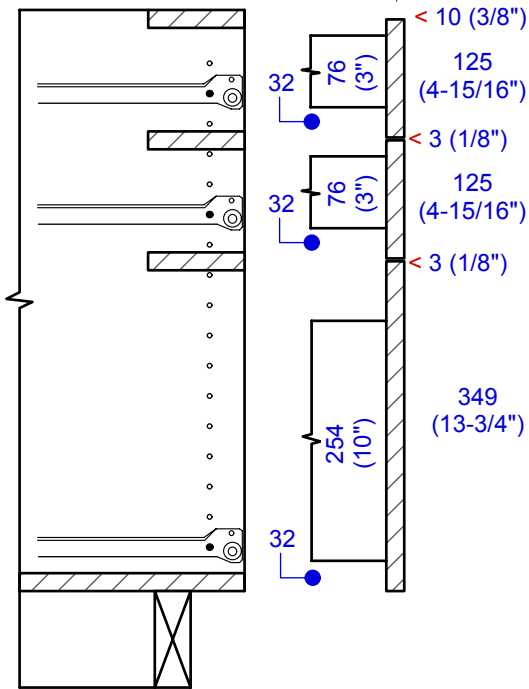
Tilt top drawer slightly to  
 install & remove



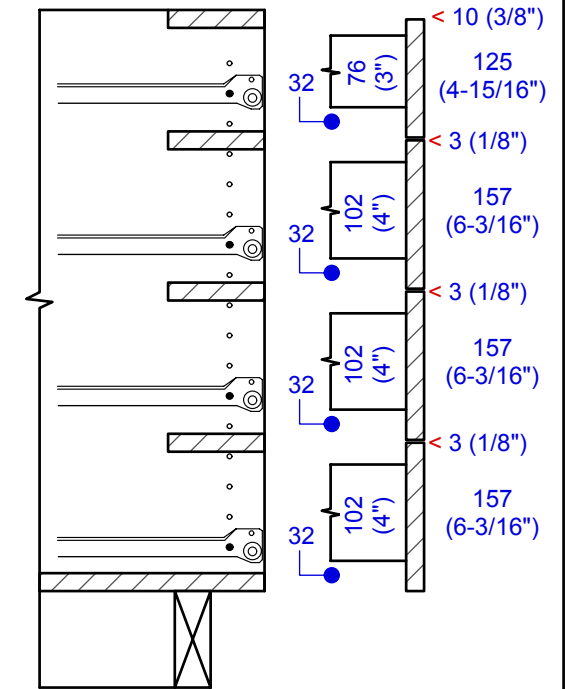
**(B) 2 drawers**



**(C) 3 drawers**



**(D) 4 drawers**



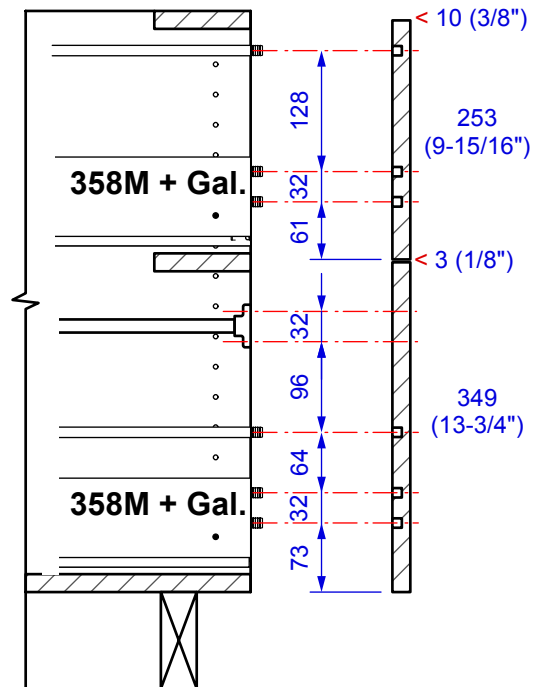
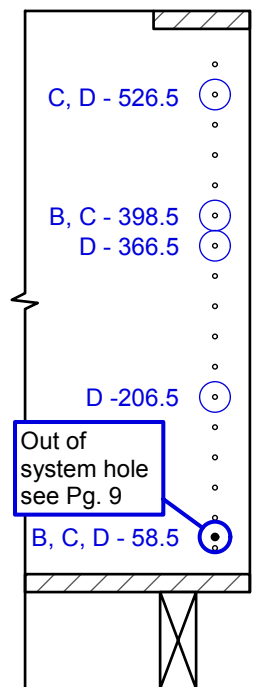
Blum, Inc  
 Stanley, NC 28164  
 1-800-438-6788

Description	Date	Author	Index	Scale	Drawing No.	Page No.
Standard runner desk pattern	3/25/04	MLY	00	1:8	BUS0126	23

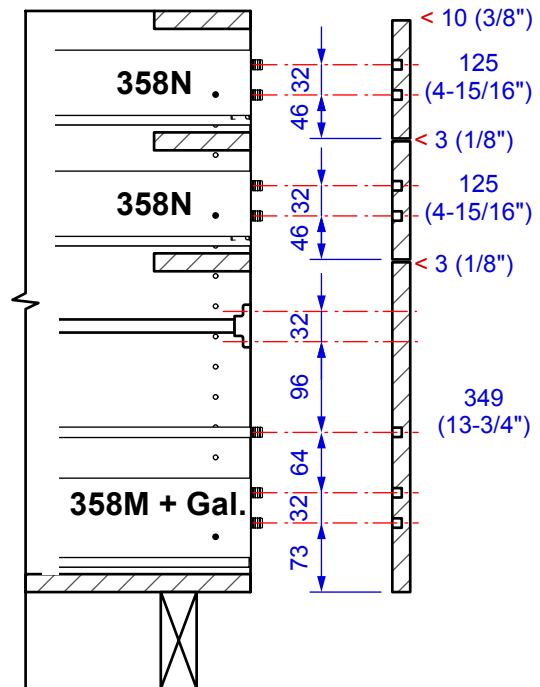
Subject to technical modifications without notice  
 Dimension in millimeters, inch equivalents as noted

System hole location for cabinet profile  
- Measured from bottom of cabinet side

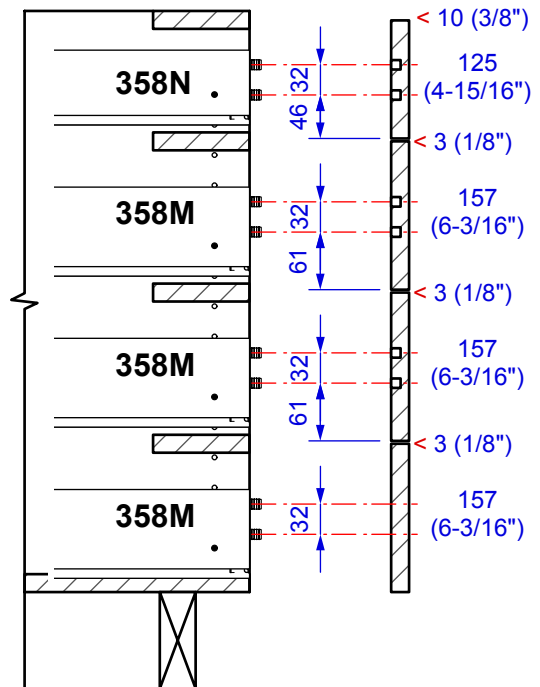
< Reveal dimensions  
Front heights



(B) 2 drawers



(C) 3 drawers



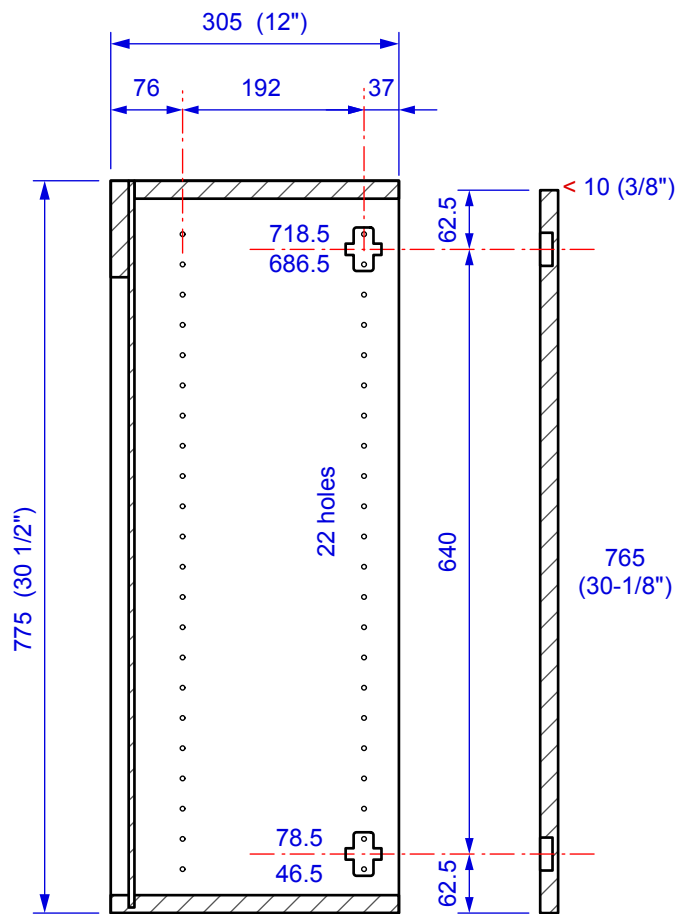
(D) 4 drawers



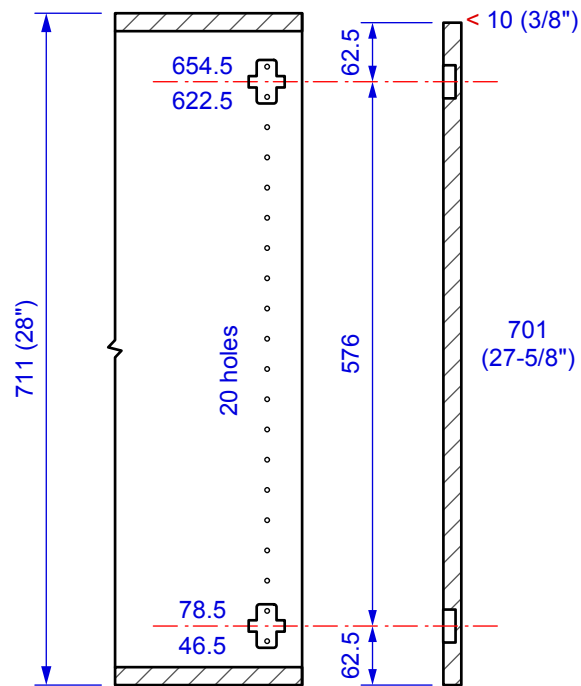
Blum, Inc  
Stanley, NC 28164  
1-800-438-6788

Description	Date	Author	Index	Scale	Drawing No.	Page No.
TANDEMBOX desk pattern	3/25/04	MLY	00	1:8	BUS0126	24

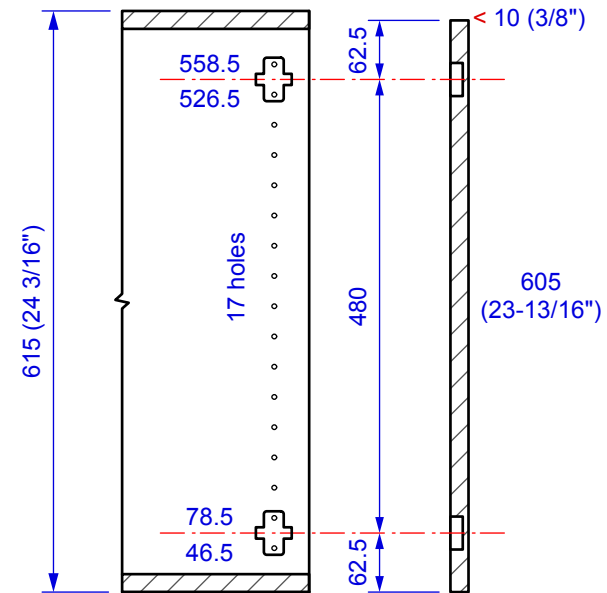
Subject to technical modifications without notice  
Dimension in millimeters, inch equivalents as noted



30-1/2" wall cabinet



28" wall cabinet



24-3/16" wall cabinet



Blum, Inc  
Stanley, NC 28164  
1-800-438-6788

Description  
**Wall cabinet patterns**

Date  
**3/29/04**

Author  
**MLY**

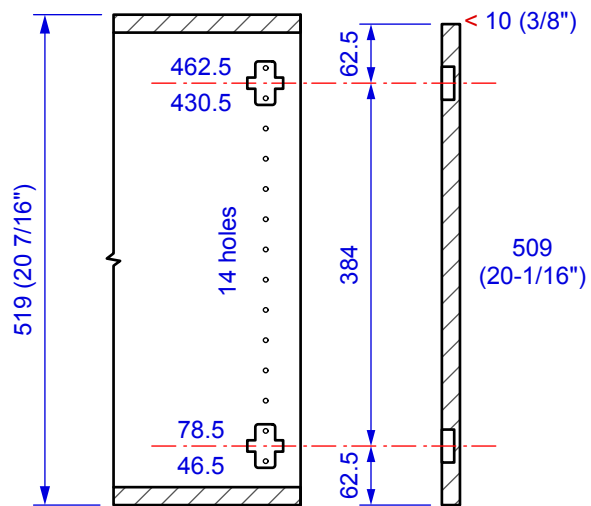
Index  
**00**

Scale  
**1:8**

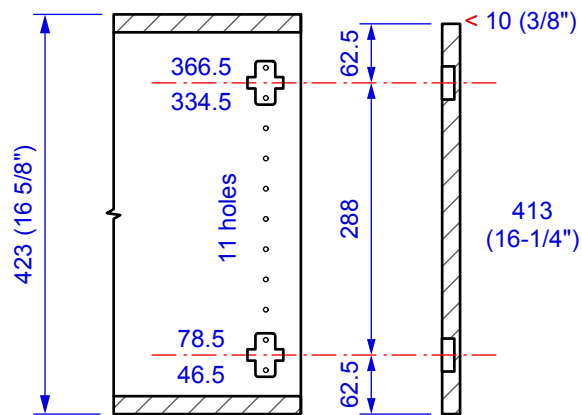
Drawing No.  
**BUS0126**

Page No.  
**25**

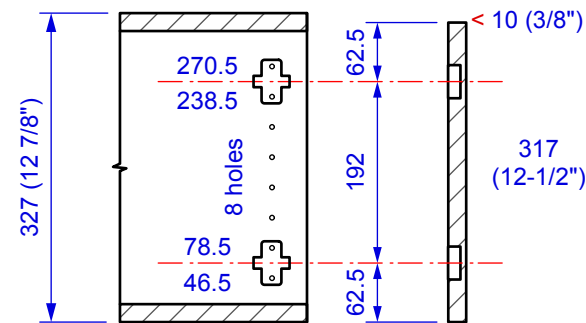
Subject to technical modifications without notice  
Dimension in millimeters, inch equivalents as noted



**20-7/16" wall cabinet**



**16-5/8" wall cabinet**



**12-7/8" wall cabinet**



Blum, Inc  
Stanley, NC 28164  
1-800-438-6788

Description	Date	Author	Index	Scale	Drawing No.	Page No.
Wall cabinet patterns	3/29/04	MLY	00	1:8	BUS0126	26

Subject to technical modifications without notice  
Dimension in millimeters, inch equivalents as noted