

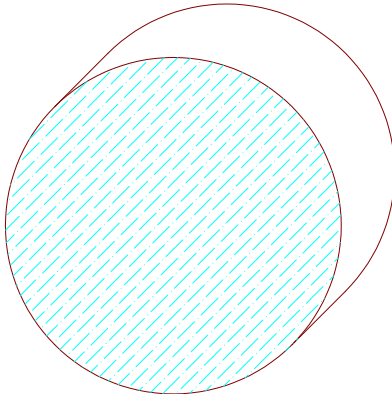


Mirror Reflections Inc.

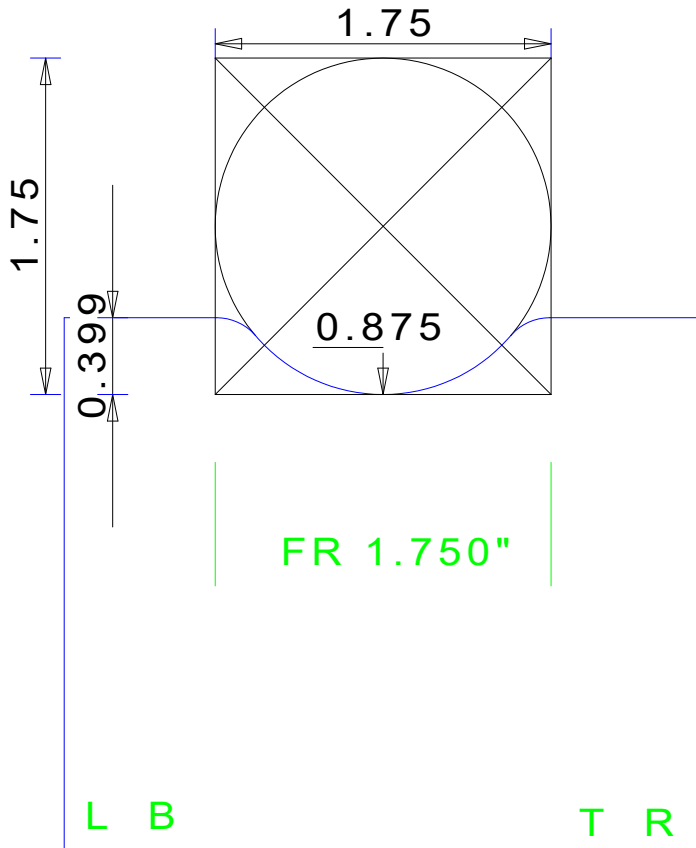
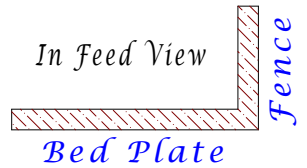
1588 South 250 East - Kaysville Utah 84037

Phone / Fax (801)-451-5987

www.mr-moulding-knives.com



1-3/4" X 1-3/4"
FR 1.750"



Cut steel size @ 2.500"L X 1.750"W

PLEASE SIGN OR MAKE CORRECT CHANGES. ✕-----

KNIFE GRIND NEEDED ? Yes No Please Circle One

Customer	Scale FULL	Part # FR 1.750"	Date
Ship via Circle one	FEDEX - Priority Overnight	Standard Overnight 2 Day	UPS - Red Blue Ground