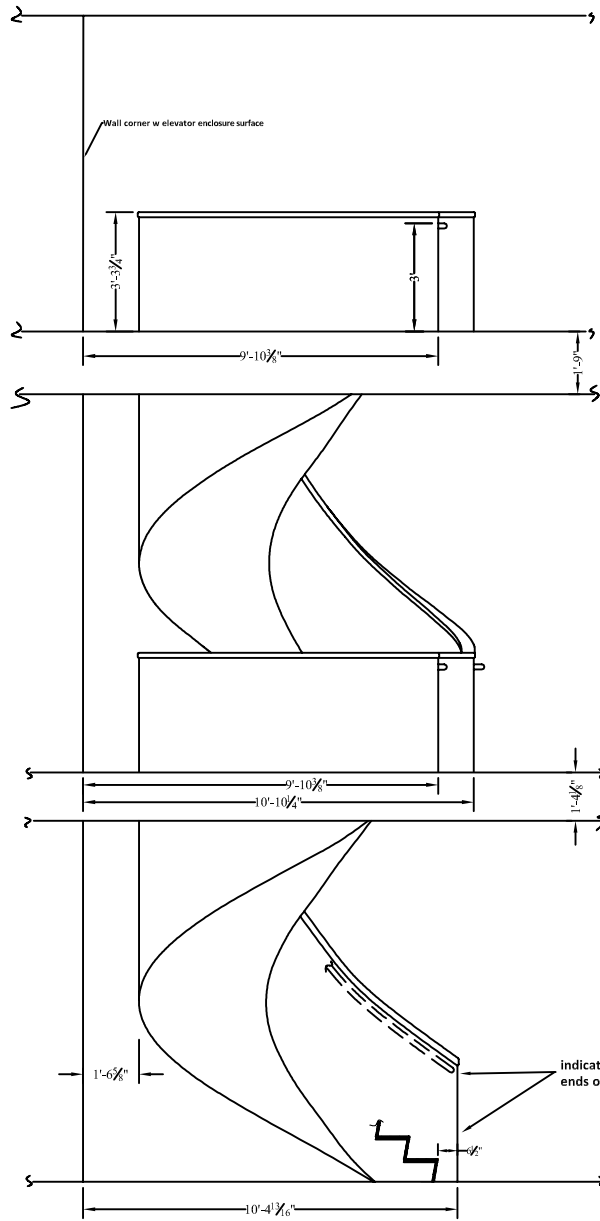
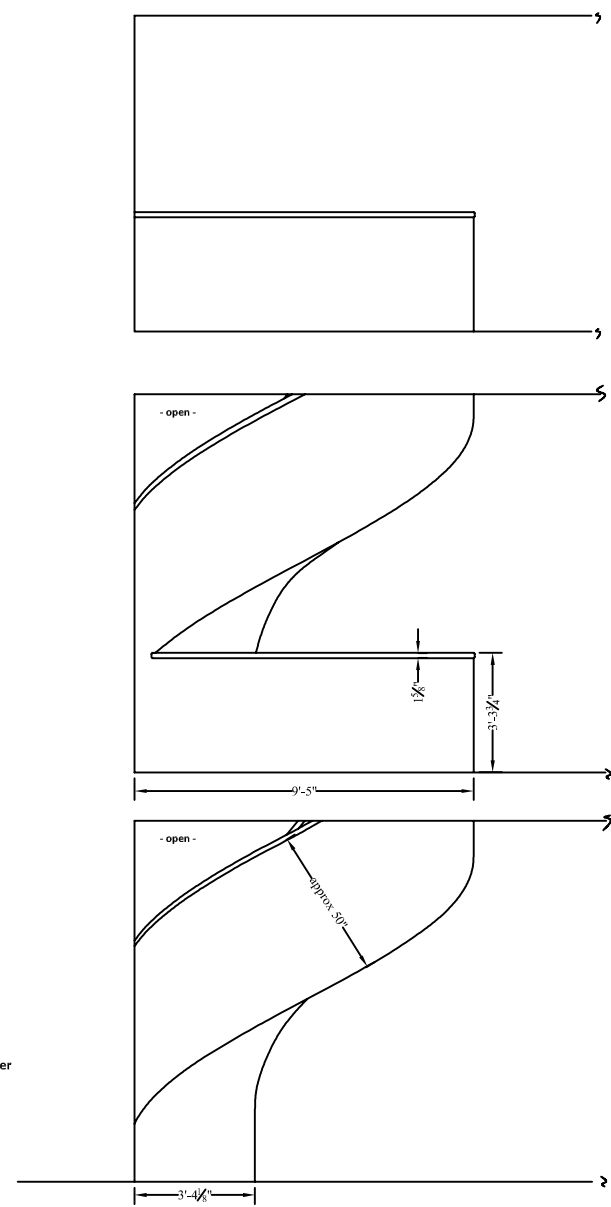


West elev'tn - 1/4" = 1'



North elev'tn - 1/4" = 1'



East elev'tn - 1/4" = 1'