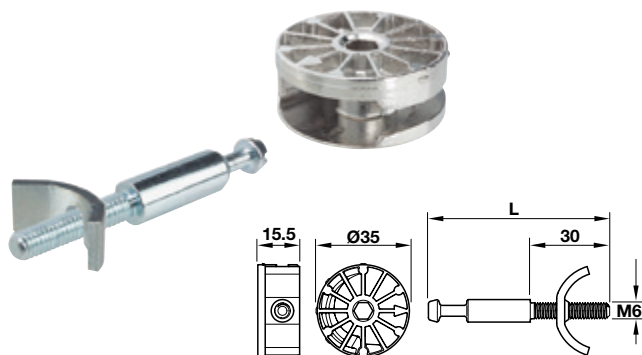
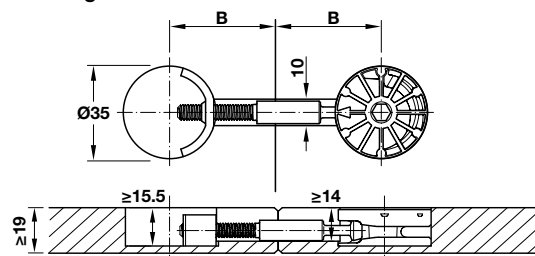


Maxifix

- Provides a firm connection between two work surfaces via a 180° turn
- Saves time and greatly simplifies assembly of tops
- The semi-circular short steel plate pre-installed onto the bolt is simply inserted into the routed location and tightened with the Maxifix housing
- The long thread provides error-free compensation for tolerances
- Minimum material thickness is 19 mm (3/4")



Drilling distance



Countertop/Work Surface Connector

Material: Steel, galvanized

| Length L | Drilling dimension | Item No. |
|----------|--------------------|------------|
| 65 | 32 – 41 | 262.87.041 |
| 150 | 75 – 84 | 262.87.042 |

Order Supplied With

20 cams
20 bolts

Hex Key, 6 mm

Material: Steel

| Finish | Item No. |
|-------------|------------|
| zinc-plated | 008.28.268 |

