



1532

QUICK REFERENCE

Applications: Vertically mounted concealed doors for office/residential storage cabinets, entertainment centers, and armoires.

Door Sizes:

Max Height: 118" [3000mm]

Max Width: 39" [1000mm]

Thickness: 3/4" [19.05mm] - 1 1/4" [31.8mm]

Length: Cut to length

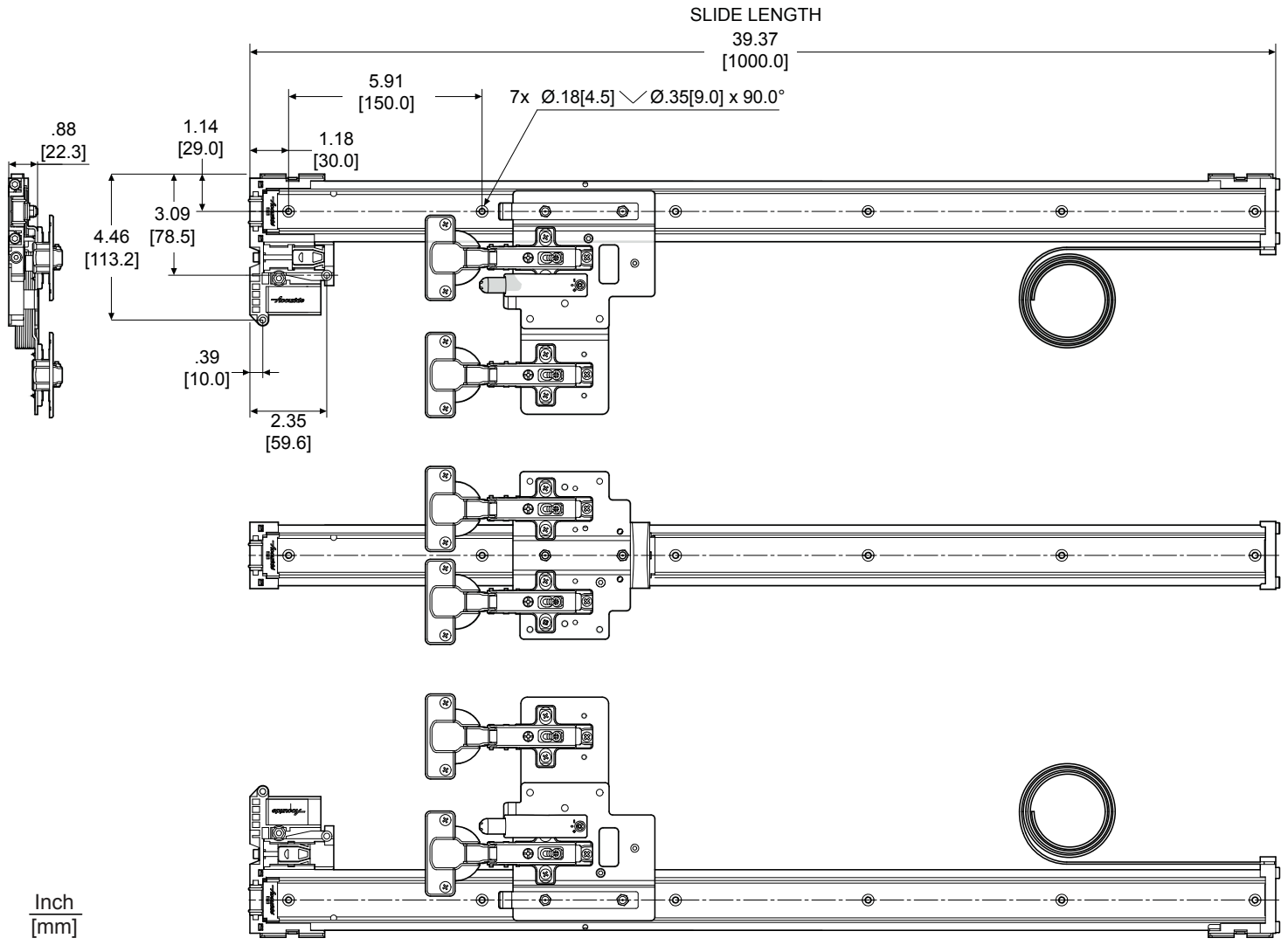
Load: Maximum 100 lbs. [45kg] per door

For vertical use only with Anti-Rak cable system

MODEL 1532

Anti-Rak Cable System
Pocket Door Slide
Up to 100 lb. [45kg] Capacity

This product is covered by U.S. (4,974,912) and various foreign patents issued and/or pending.



Inch
[mm]

Material	Aluminum
Door Sizes	Maximum Door Height 118in. [3000mm] Maximum Door Width 39in. [1000mm] Maximum Door Thickness 1.25in. [31.8mm]
Load	Maximum Door Weight 100lbs. [45kg]
Hardware	Slides, cables, and mounting screws provided.
Features	Soft close hinge damping Cut to length rail - Utilizes 115RC Linear Track System and recirculating ball carriage Cable system for synchronized slide operation

Temperature	-4°F to 158°F [-20°C to +70°C]
--------------------	-----------------------------------

NOTE: Not suitable for flat mounting

NOTE: Door retracts 5.18in. [131.5 mm] less than slide length

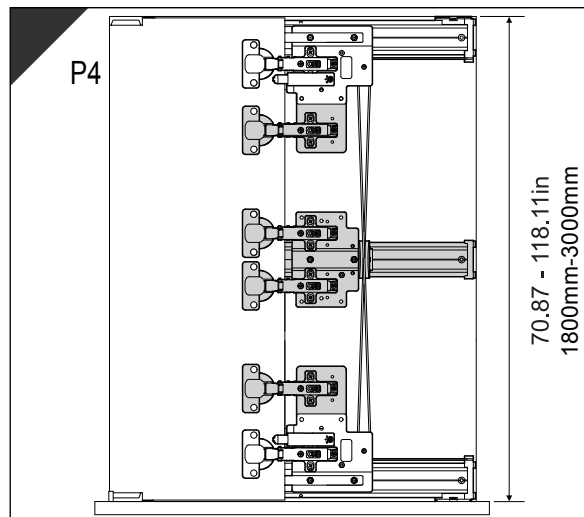
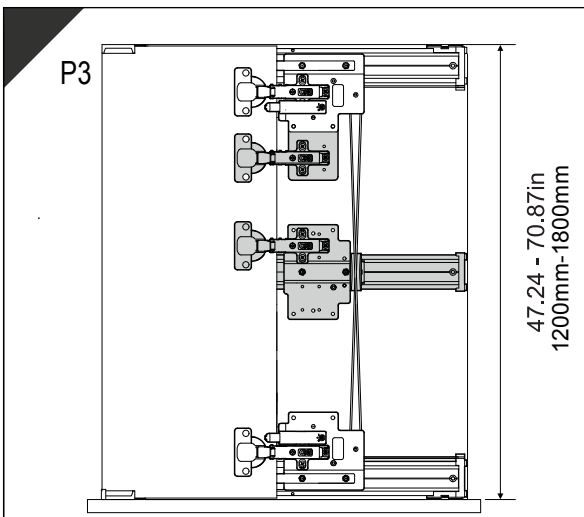
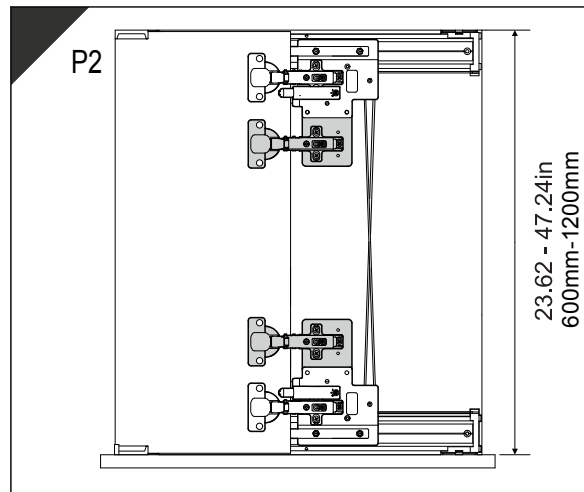
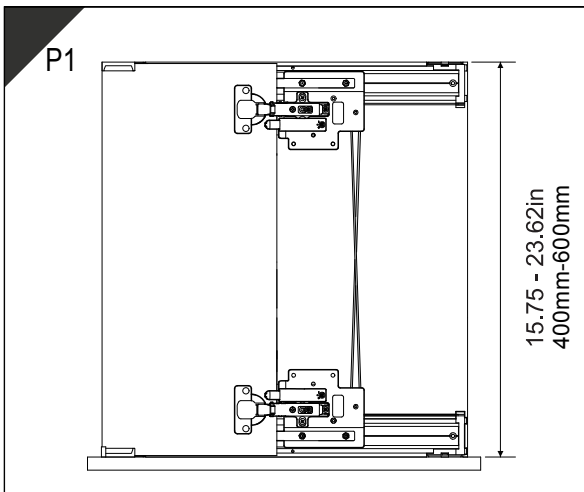
• RoHS compliant.

1532		Door Height	Door Fit/Thickness	
AL1532	xx		xx	
	P1	15.75 - 23.62 [400 - 600]	PO – Partial Overlay	<.75 [<19.0]
	P2	23.62 - 47.24 [600 - 1200]	SI – Slim Inset	.75 - .811 [19.0 - 20.6]
	P3	47.24 - 70.87 [1200 - 1800]	TI – Thick Inset	.811 - 1.25 [20.6 - 31.8]
	P4	70.87 - 118.11 [1800 - 3000]		

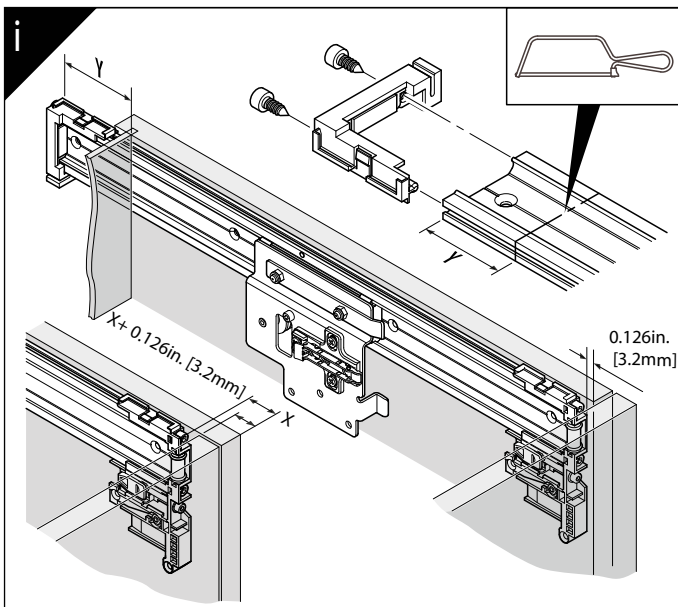
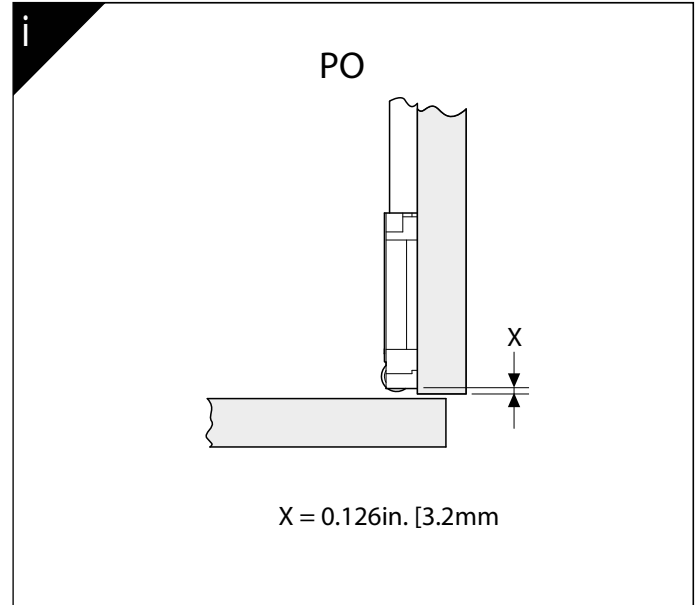
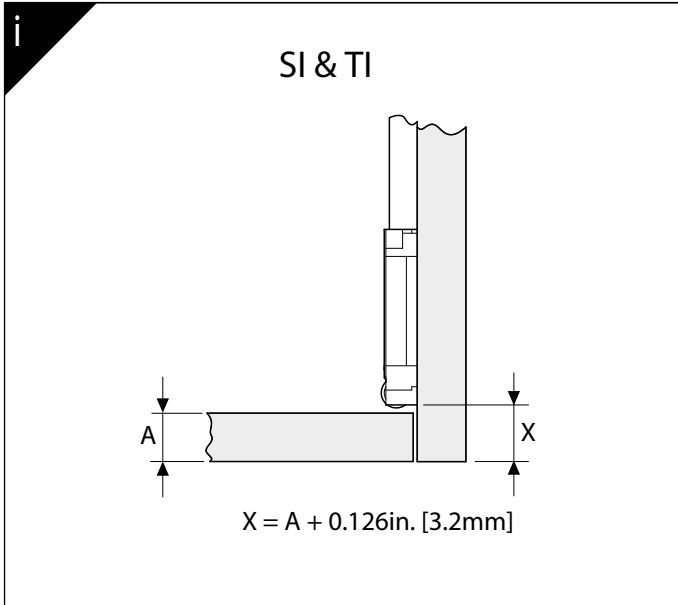
Inch [mm]

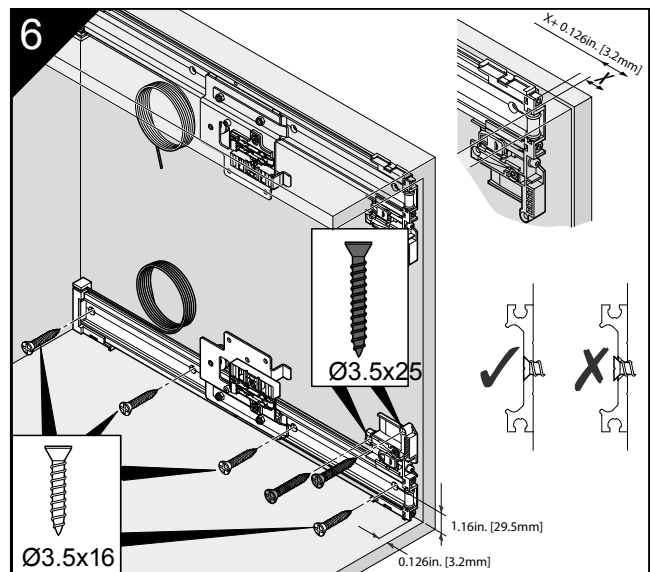
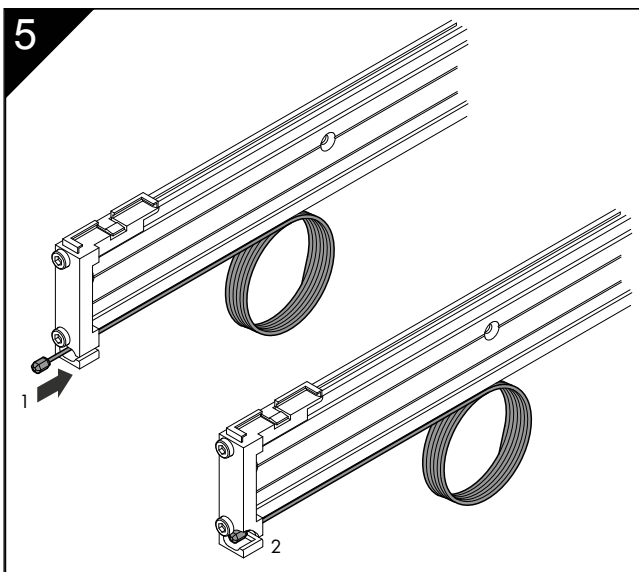
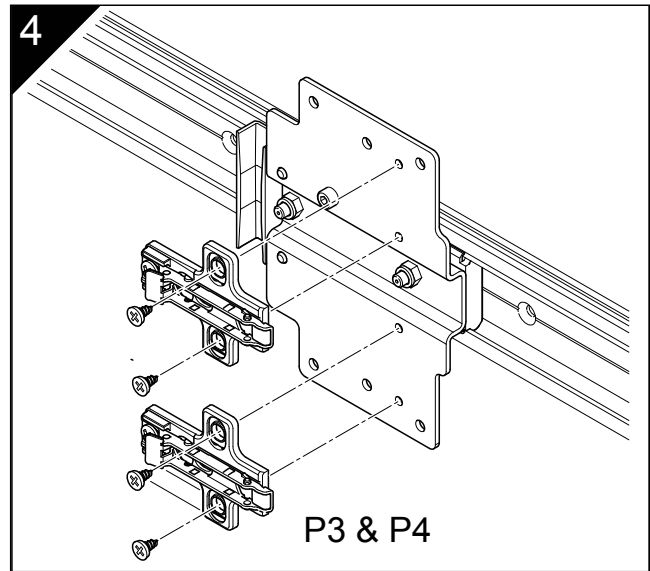
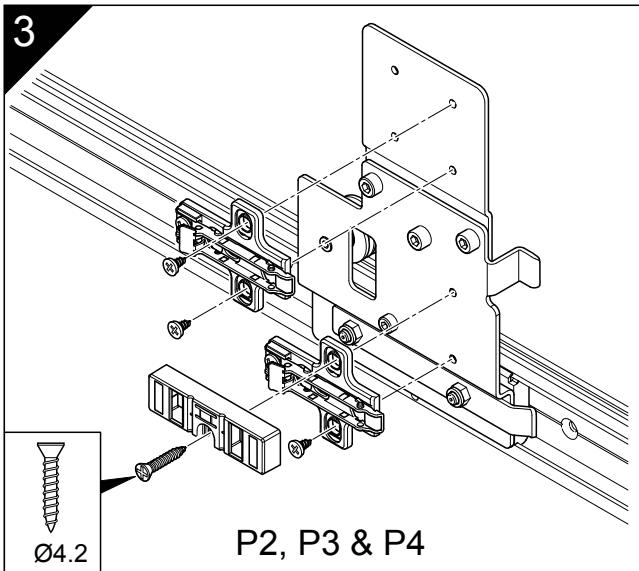
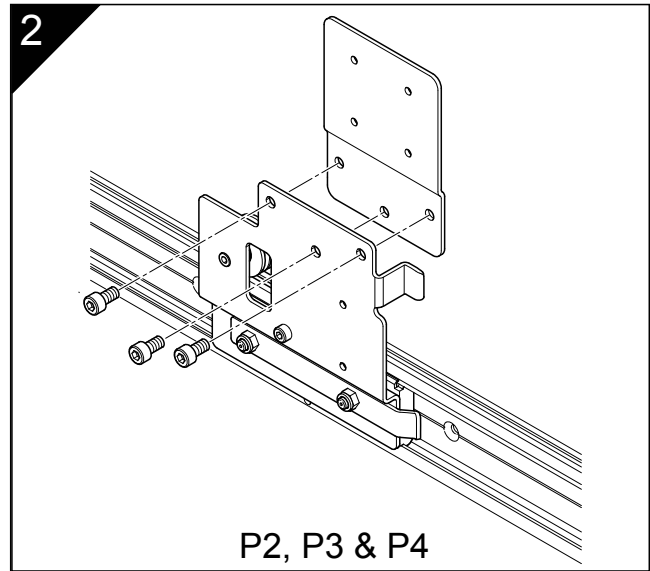
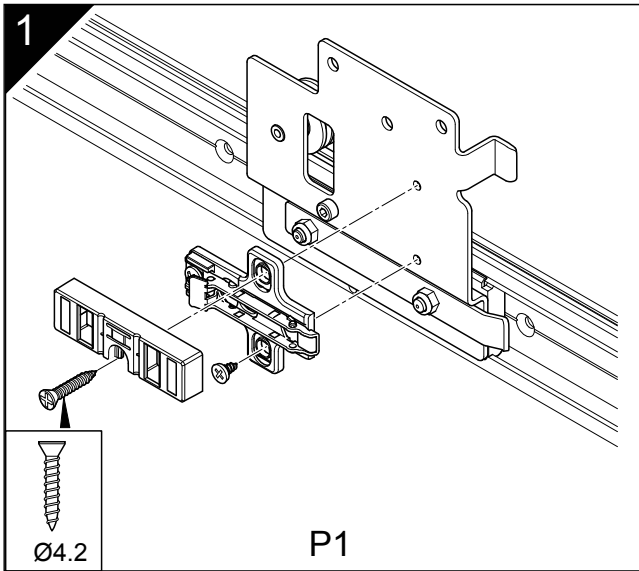
Each pack contains the following items:

P1 - P4	Door Height	No of Hinges	Top/Bottom Slides	Center Slide	Extension Bracket(s)	Description
P1	15.75 - 23.62in 400 - 600 mm	2	1	-	-	Top and bottom slides with hinges, fixing screws for rails/hinges/brackets - for doors 23.62in [600mm] tall or less.
P2	23.62 - 47.24in 600 - 1200 mm	4	1	-	2	P1 plus additional hinges on top and bottom- for doors between 23.62in [600mm] and 47.34in [1200mm].
P3	47.24 - 70.87in 1200 - 1800 mm	4	1	1	1	P1 plus an additional center slide, 2 hinges on top slide, 1 center, 1 at bottom for doors between 47.24in.[1200mm] and 70.87in.[1800mm].
P4	70.87 - 118.11in 1800 - 3000 mm	6	1	1	2	P1 plus an additional center slide, 2 hinges on top slide, 2 center, 2 at bottom for doors between 70.87[1800mm] and 118.11 [3000mm].



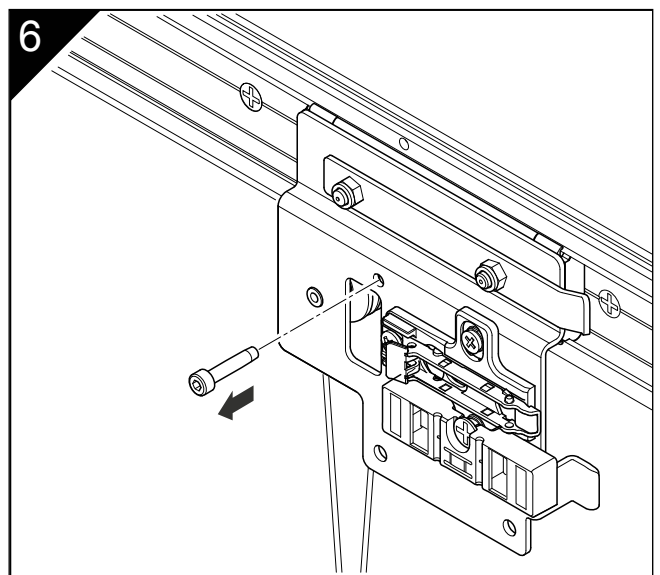
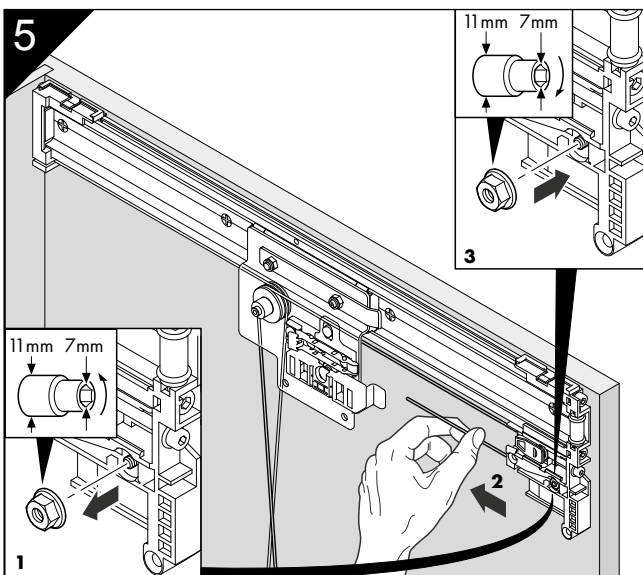
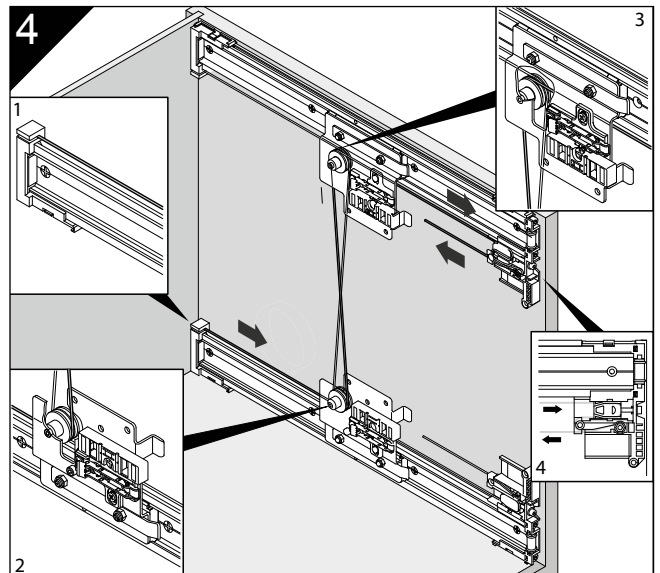
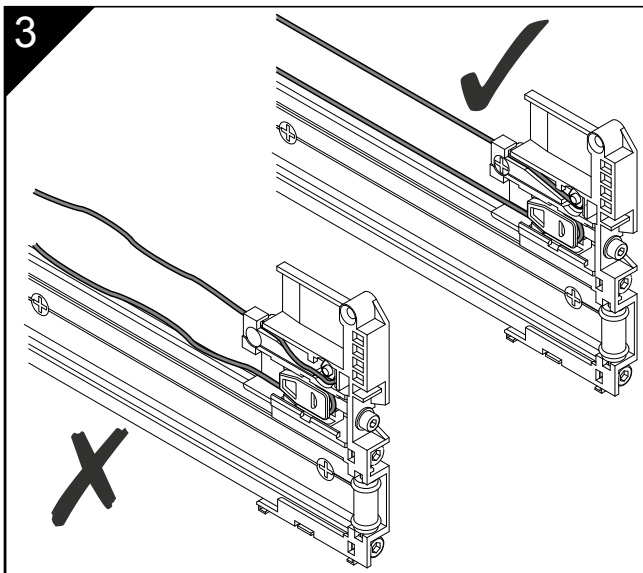
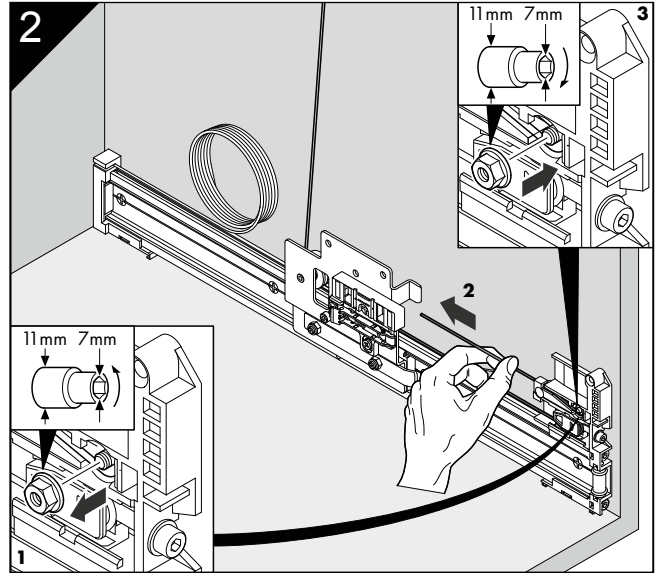
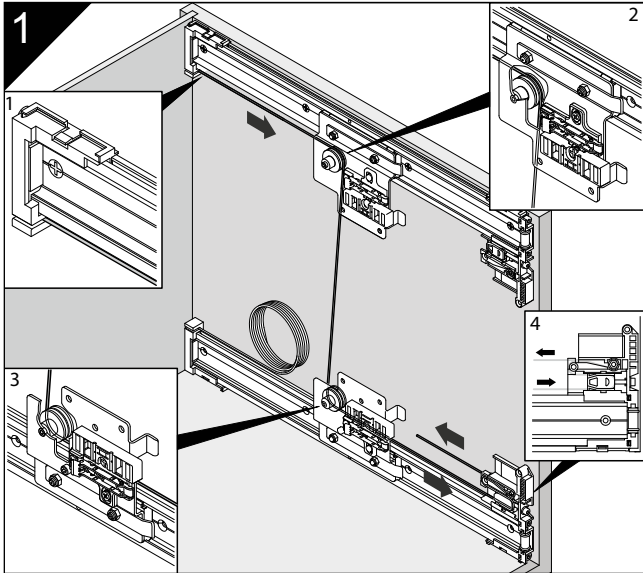
NOTE: All fixing positions must be used to achieve maximum load rating.

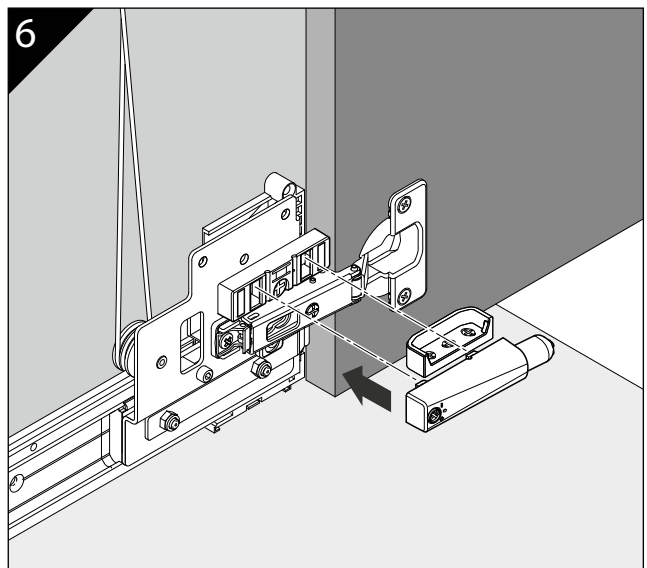
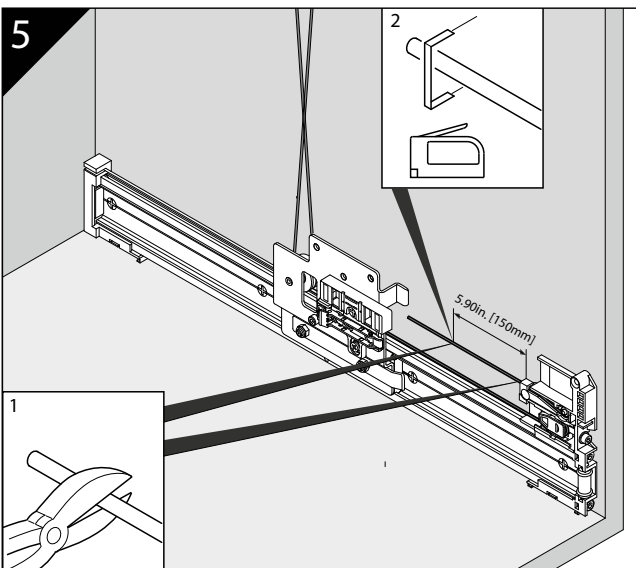
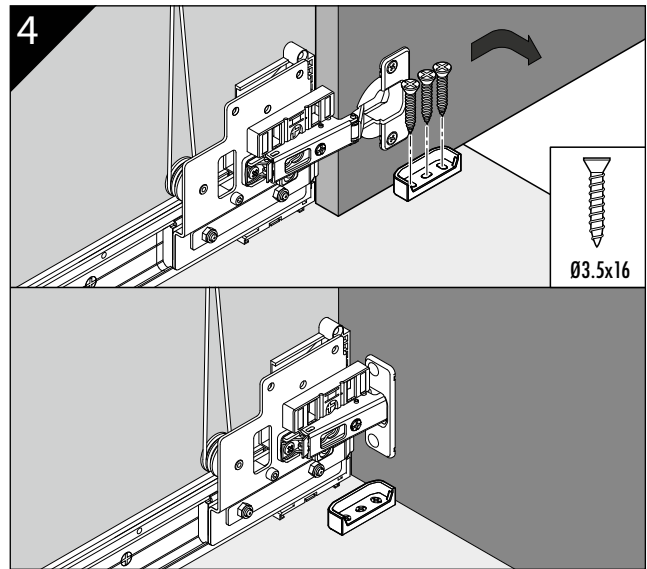
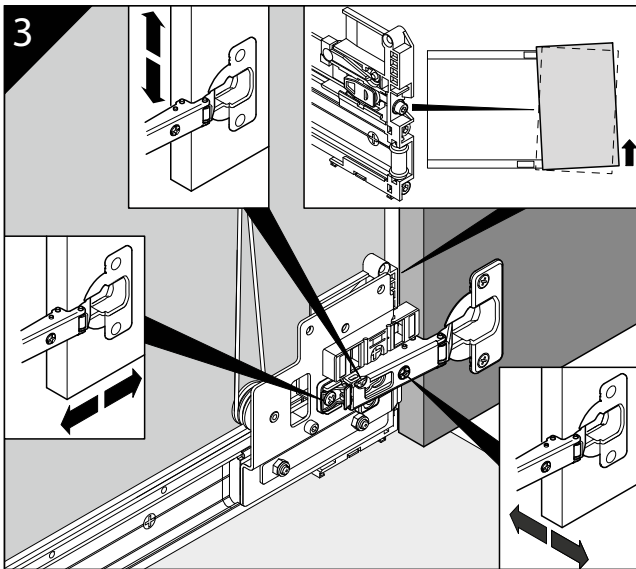
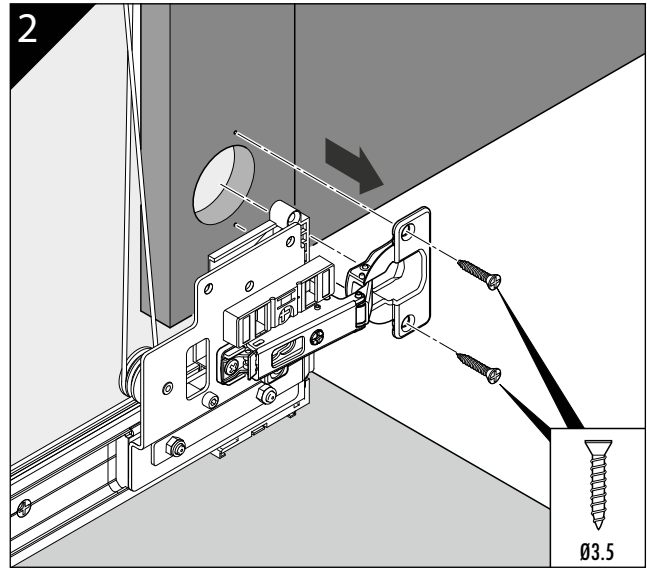
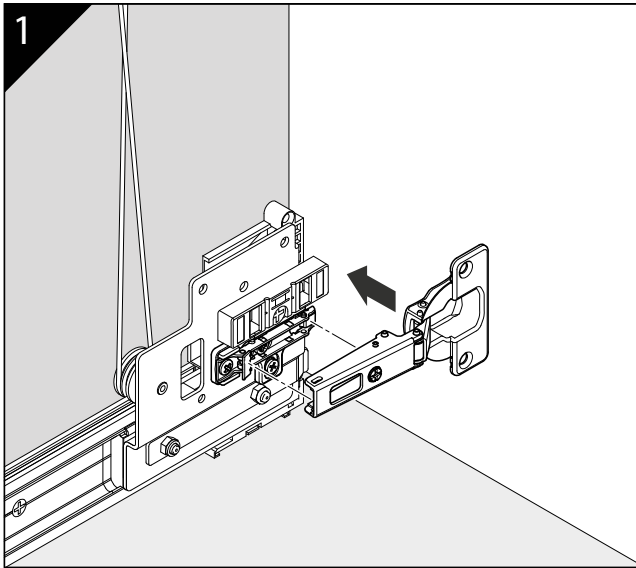


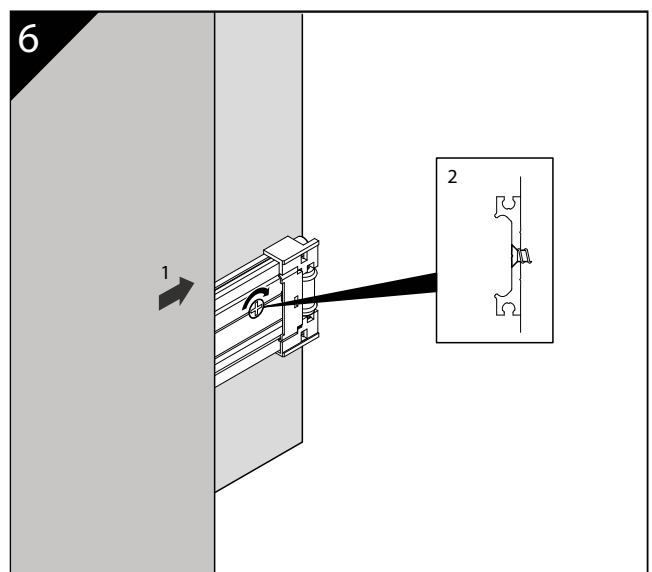
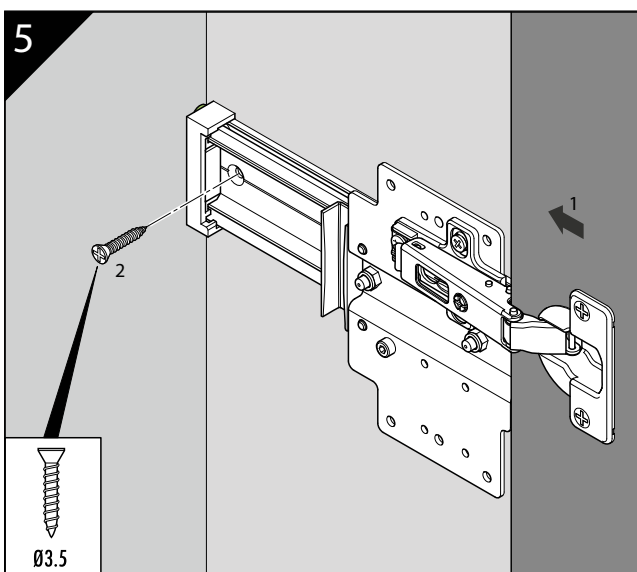
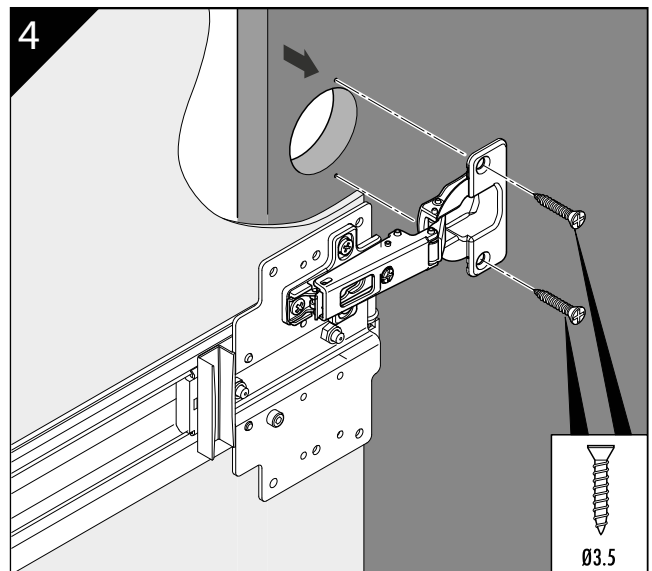
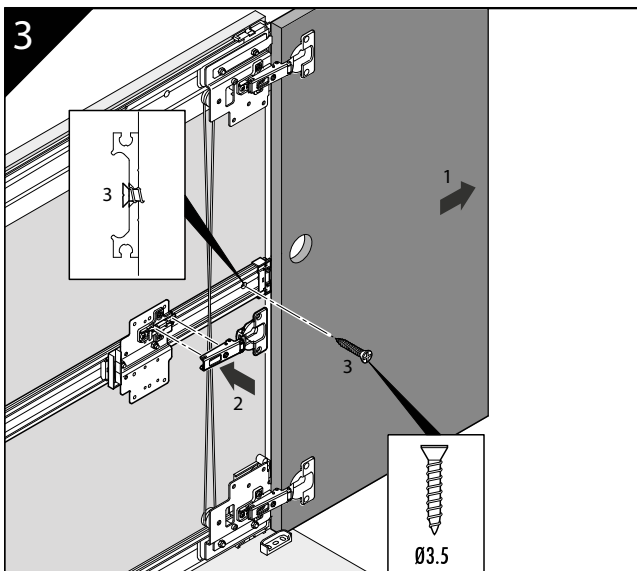
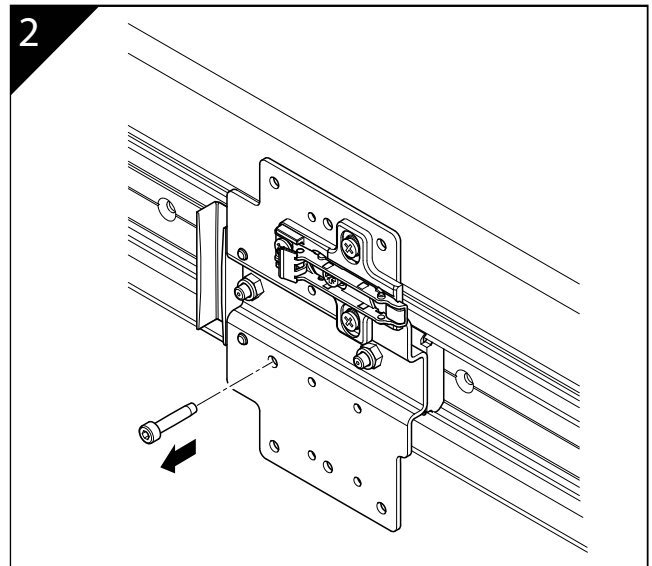
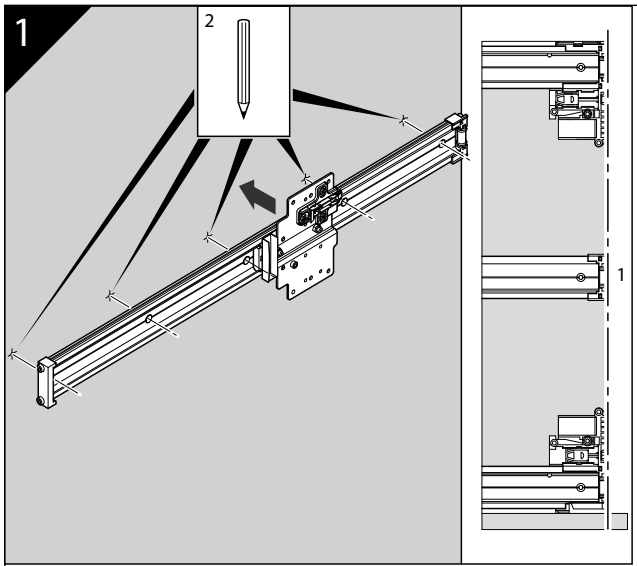


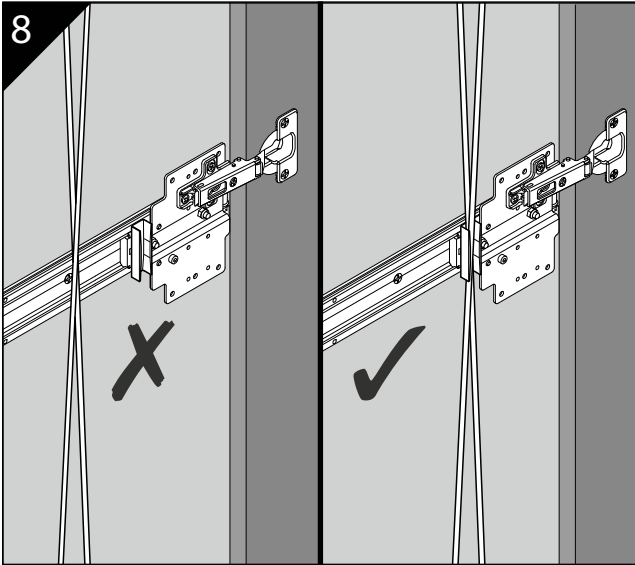
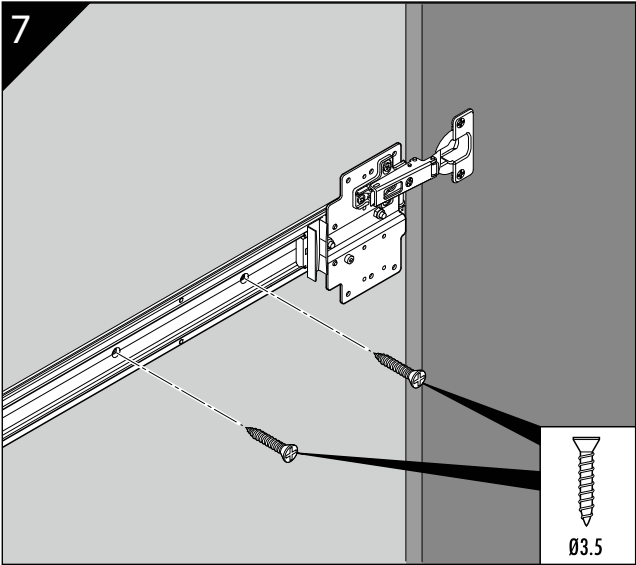
Adjust Cable to give light tension.

NOTE: Do not remove (cut) excess cable.




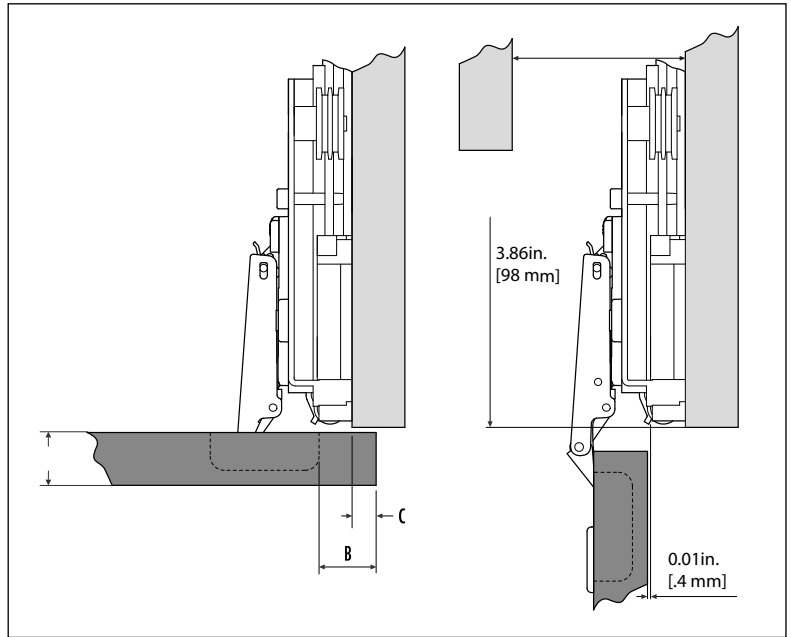




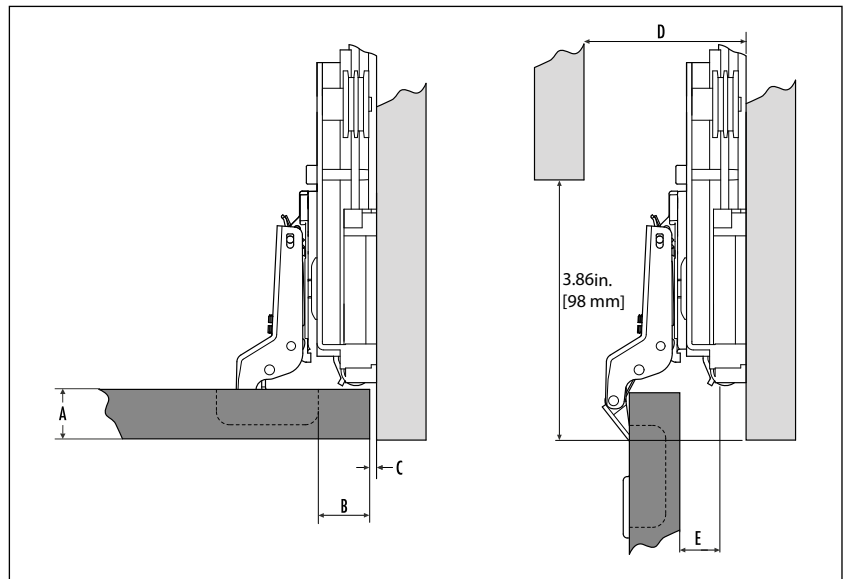



Partial Overlay

1532				
PO Partial Overlay				
in. [mm]				
	A	B	C	D
1.57[40.0]	.75[19.0]	.59[15.0]	.46[11.7]	2.36[60.0]



Inset



1532		in. [mm]				
		A	B	C	D	E
SI Slim Inset	1.38[35.0]	.75[19.0]	.31[8.0]	.09[2.3]	2.00[50.8]	.05[1.4]
	1.38[35.0]	.81[20.6]	.35[9.0]	.07[1.8]	2.00[50.8]	.01[0.3]
TI Thick Inset	1.57[40.0]	.75[19.0]	.59[15.0]	.09[2.3]	2.36[60]	.57[14.4]
		.81[20.6]	.59[15.0]	.09[2.3]	2.36[60]	.50[12.8]
		.87[22.2]	.59[15.0]	.09[2.3]	2.36[60]	.44[11.2]
		.94[23.8]	.59[15.0]	.09[2.3]	2.36[60]	.38[9.6]
		1.00[25.4]	.59[15.0]	.09[2.3]	2.36[60]	.31[8.0]
		1.06[27.0]	.59[15.0]	.09[2.3]	2.36[60]	.25[6.4]
		1.13[28.6]	.59[15.0]	.09[2.3]	2.36[60]	.19[4.8]
		1.19[30.2]	.59[15.0]	.09[2.3]	2.36[60]	.12[3.2]
		1.25[31.8]	.59[15.0]	.09[2.3]	2.36[60]	.06[1.6]

1 Kit Per Box

Pack 1 (Door Height 15"-23")

- 2 Hinges
- 1 Top/Bottom Slide

Pack 2 (Door Height 23"-47")

- 4 Hinges
- 1 Top/Bottom Slide
- 2 Extension Brackets

Pack 3 (Door Height 47"-70")

- 4 Hinges
- 1 Top/Bottom Slides
- 1 Center SlideEach
- 1 Extension Bracket

Pack 4 (Door Height 70"-118")

- 6 Hinges
- 1 Top/Bottom Slide
- 1 Center Slide
- 2 Extension Brackets

Ordering Instructions

Complete your slide order for Accuride Flipper Door Slide® Model 1532 by specifying the following:

Note: Each Door Requires 1 Kit

10 Kits AL1532 - 40 P1 - PO

Total Doors	_____
Slide Model	_____
Slide Length*	_____
Pack Number**	_____
Door Fit	_____

*Slides come in a standard 40" length. Slides can be cut to length.
 ** Pack is determined by Door Height. Refer to "packaging" for more information.

Specifications

1 Kit Per Door.

RoHS compliant.

Note: Specifications, materials, prices, terms, and delivery are subject to change without notice.



ACCURIDE INTERNATIONAL INC.

12311 Shoemaker Avenue
 Santa Fe Springs, CA 90670
 TEL (562) 903-0200
 FAX (562) 903-0208
 www accuride.com

Manufacturing, Engineering, and Sales
 United States • Germany • Japan • Mexico • United Kingdom • China

Copyright © 2023 Accuride International Inc. 3700-9611-AL1532-V1-1123