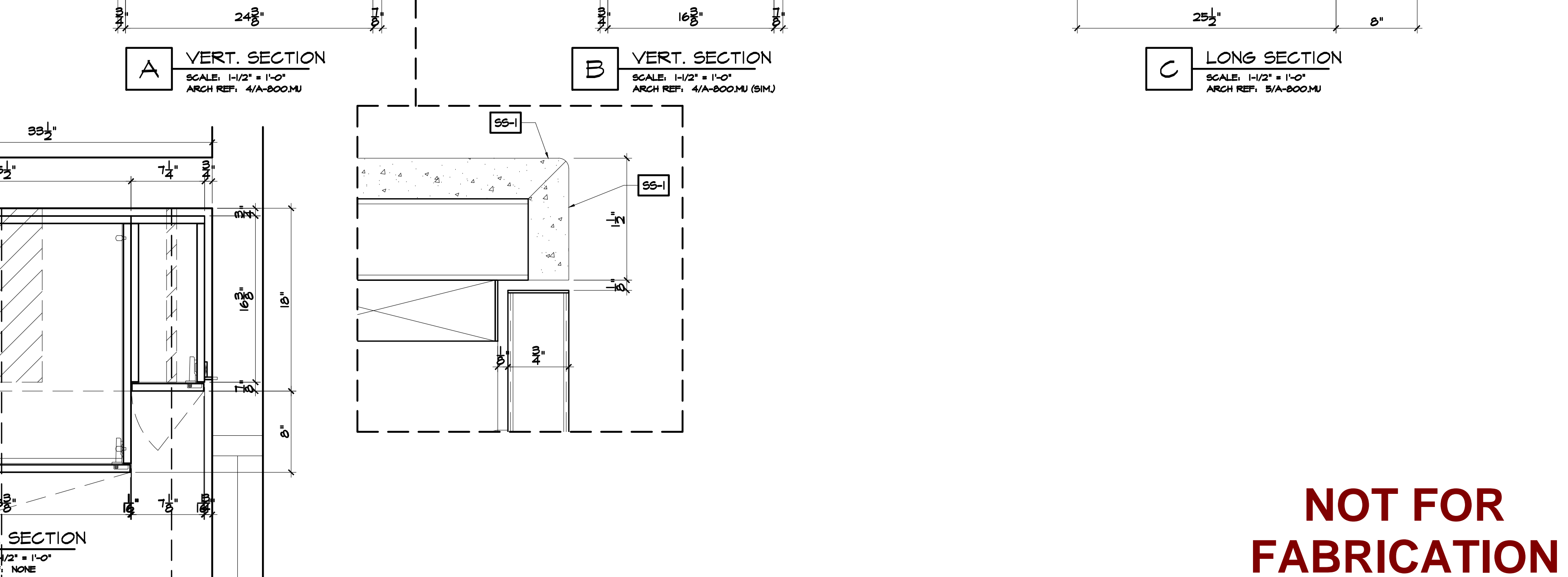
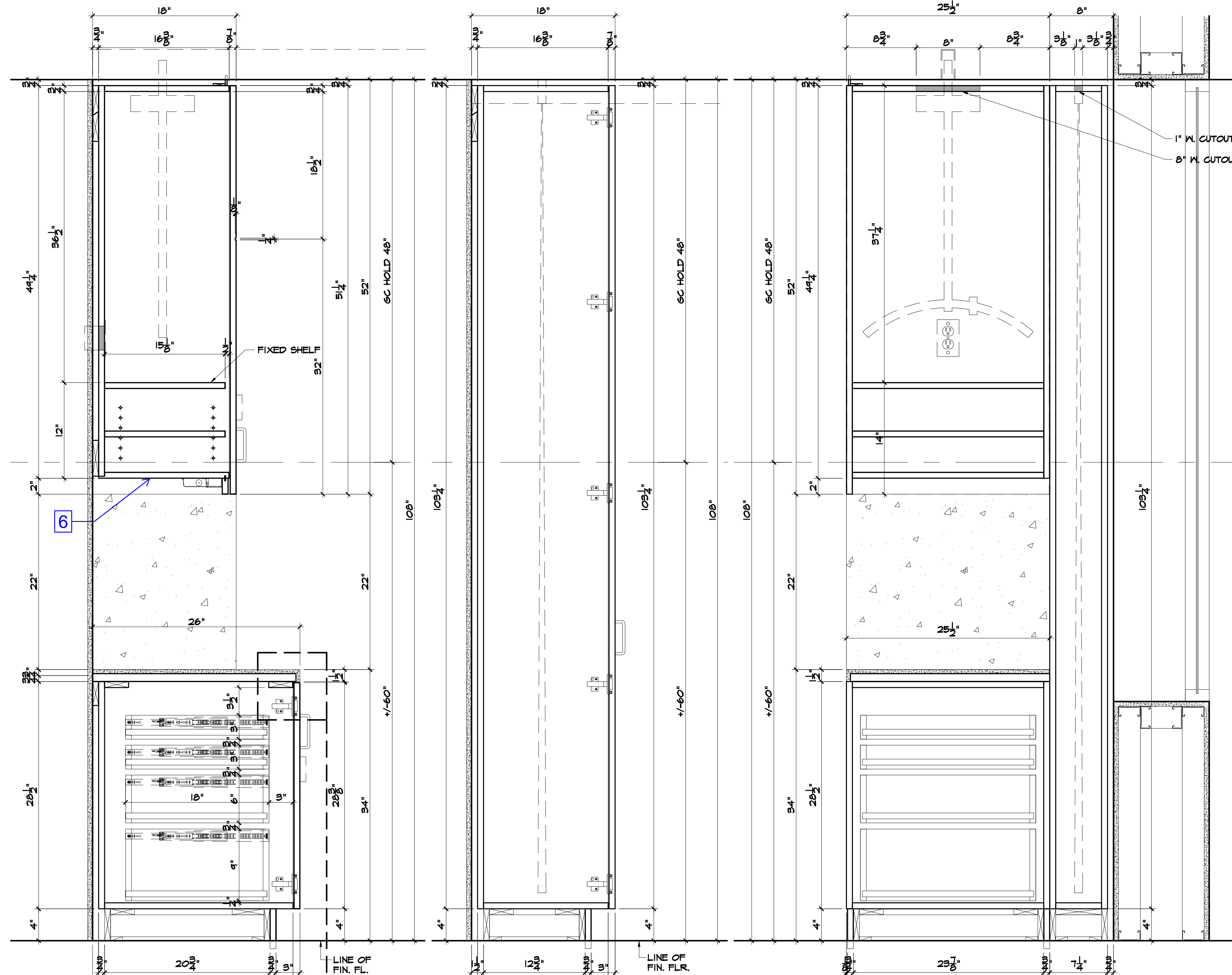
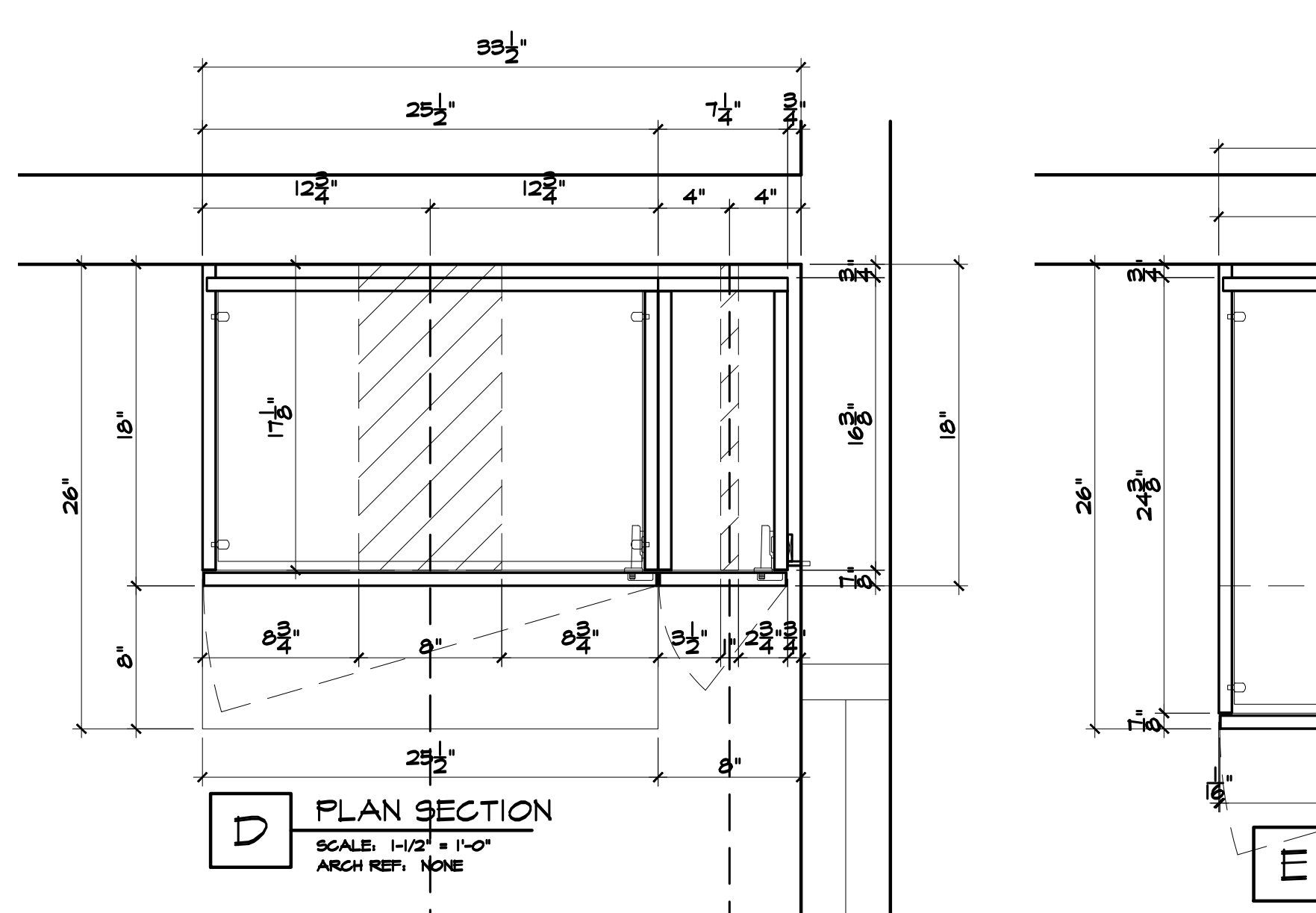
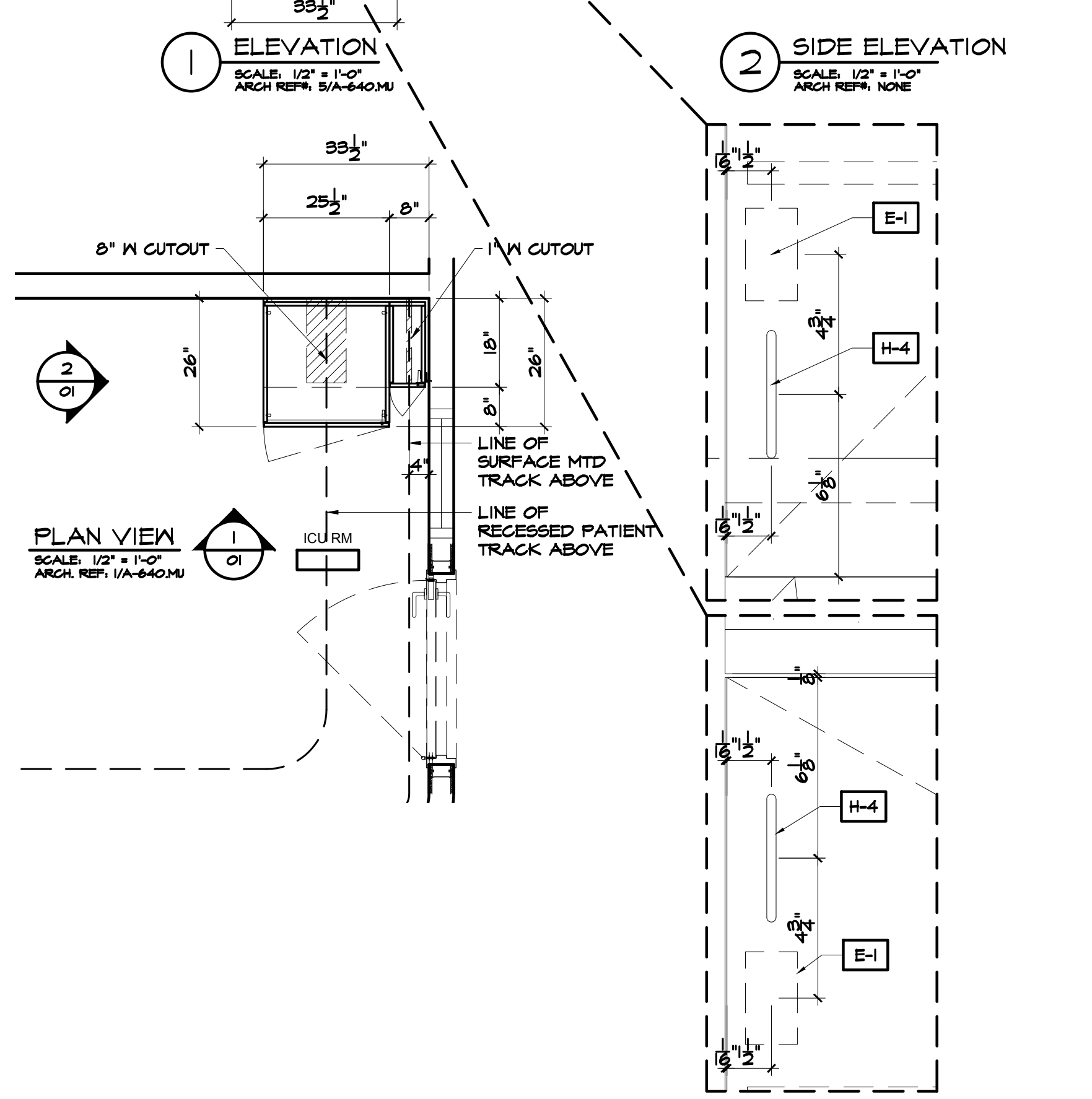
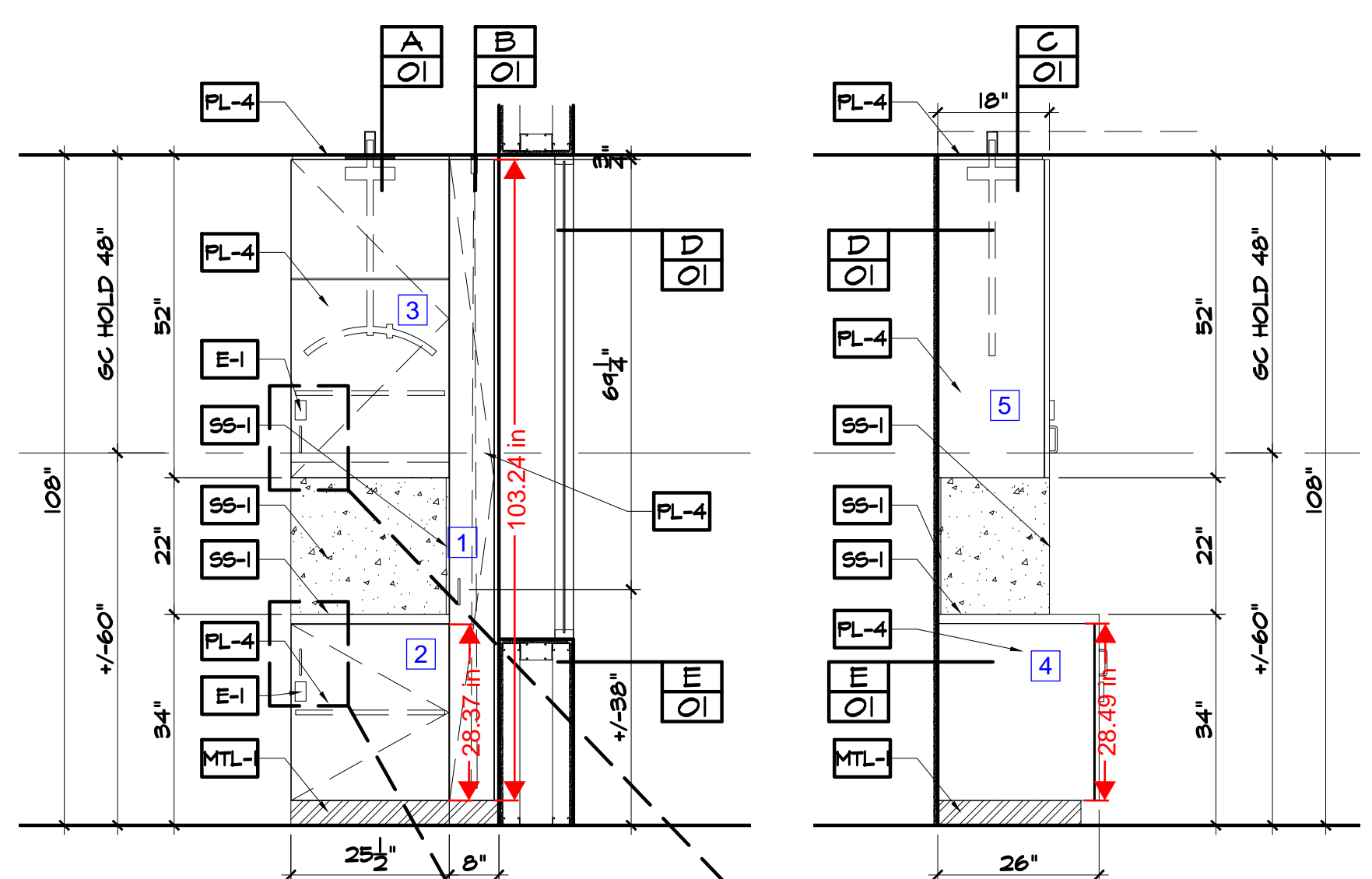


<b>Dwg. #</b>	<b>Tag #</b>	<b>Finish</b>	<b>Size</b>	<b>Notes / Comments</b>
<b>1</b>	1	PL-4	8" x 104"	Front and Back
	2	PL-4	26" x 29"	Front and Back
	3	PL-4	26" x 52"	Front and Back
	4	PL-4	26" x 29"	One Side PL-4, one side ML-1
	5	PL-4	18" x 52"	One Side PL-4, one side ML-1
	6	PL-4	18" x 26"	One Side PL-4, one side ML-1
<b>3</b>	1	PL-7	46" x 104"	24" Square Cut out in Panel
	2	PL-7	5" x 56"	
	3	PL-6	38" x 90"	
	4	PL-6	4" x 56"	
	5	PL-7	45" x 104"	



**GENERAL NOTES:**

ALL DRYWALL, WORK, IN WALL BLOCKING, CEILING WORK, FLOORING, STONE, GLASS AND GLAZING TO BE FURNISHED AND INSTALLED BY OTHERS.

ALL OTHER TRADES USING THESE DOCUMENTS/DRAWINGS WITHOUT PERMISSION AND COORDINATING WITH ALLCRAFT SO AS TO THEIR OWN RISK AND RESPONSIBILITY.

ALL CORIAN COUNTER TOPS TO BE (SS-1) LEFT 1" LONGER IN LENGTH AT SCRIBE ENDS ONLY FOR FIELD FITTING, U.O.N.

ALL SUB TOPS TO BE (PM-1) LEFT 1" LONGER IN LENGTH AT SCRIBE ENDS ONLY FOR FIELD FITTING, U.O.N.

ALL CORIAN JOINTS TO BE POLISHED AND SAND SMOOTH TO ACHIEVE SEAMLESS JOINTS, U.O.N.

ALL BACK AND SIDE SPLASHES TO BE (SS-1), U.O.N.

ALL CABINET EXPOSED SURFACES TO BE (PL-4), U.O.N.

ALL CABINET BODY FRONT EDGES TO BE EDGE BANDED WITH .018" PVC TO MATCH (PL-4), U.O.N.

ALL CABINET DOORS TO BE (PL-4) FINISH BOTH SIDES AND EDGE BANDED WITH .018" PVC TO MATCH (PL-4), U.O.N.

ALL CABINET INTERIORS AND DRAWER BOXES TO BE (ML-1), U.O.N.

PLEASE PROVIDE CUT SHEETS FOR LIGHT FIXTURE AT BACK OF LIGHT APRON.

ALL FILLERS, REVEALS AND LIGHT APRONS TO BE (PL-4) LEFT LOOSE AND OVSIZED FOR FIELD FITTING, U.O.N.

ALL METAL BASE TO BE (MTL-1), U.O.N.

ALL PVC EDGING TO BE PENDING UPON AVAILABILITY OF COLOR, U.O.N.

FINISH	FSC	NAUF	Fire Rated
SS-1 CORIAN GLACIER WHITE			
PL-4 Omnova Solutions / Surf(X) 3D Laminate / 508628 / American Natural			
MTL-1 16 GAUGE SATIN ST/STL			
ML-1 WHITE MELAMINE			
PM-1 PLYWOOD SUB TOP			

**EXCLUSION**

E-1 PROXPINT CARD READER FURNISH AND INSTALL BY OTHERS

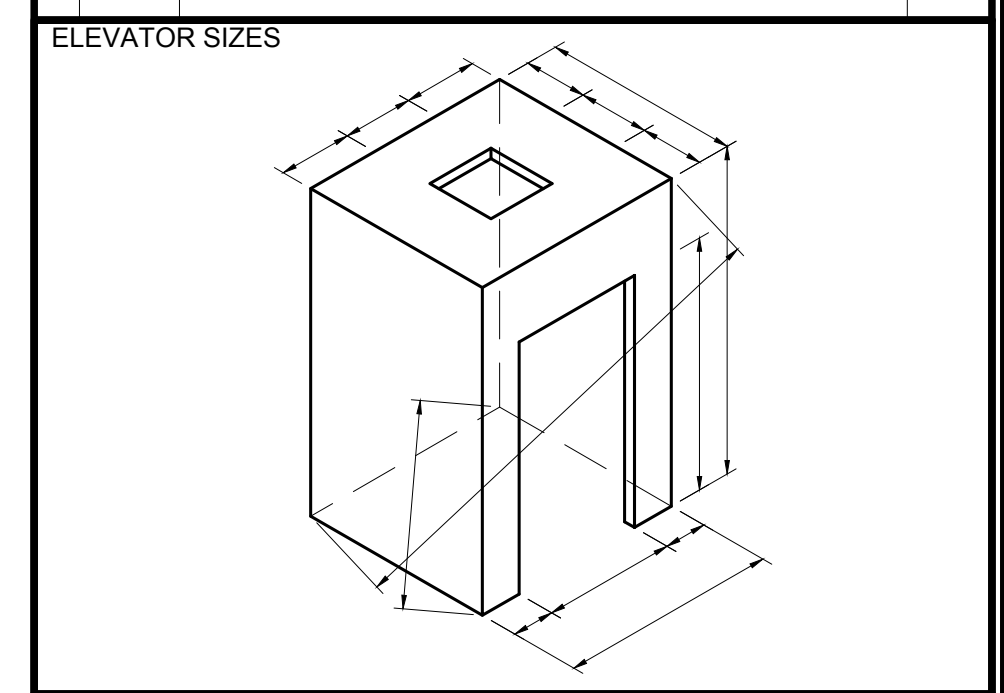
E-2 PATIENT LIFT FURNISH AND INSTALL BY OTHERS

E-3 CURTAIN TRACK FURNISH AND INSTALL BY OTHERS

**HARDWARE AND SPECIAL MATERIAL**

SYMBOL	DESCRIPTION	MANUFACTURER	ITEM NO.	SIZE	FINISH	QTY
H-1	FULL OVERLAY SELF CLOSING HINGE	BULM	T818408		NICKEL	
H-2	SHelf PIN	RICHELIEU	EP224160	5mm	NICKEL	
H-3	MEDIUM DUTY DYWR SLIDE (1/2")	ACQUIRIDE	8682	18"	ZINC	
H-4	WIRE FULL	RICHELIEU	EP24414	4-5/8"	US260	

NO.	DATE	REVISIONS	BY
01	04-20-18	ISSUE FOR APPROVAL	66



Loose to field

Fixed in shop

**AWI**

**ALLCRAFT FABRICATORS, INC.**

150 WIRELESS BOULEVARD HAUPPAUGE, NY 11788 p. 631.951.4100 f. 631.951.4040 DONALDSONORGANIZATION.COM

ARCHITECT: CANNON DESIGN  
360 MADISON AVENUE 11FL  
NEW YORK, NY 10017  
212-972-9800

CONTRACTOR:

PROJECT: NORTHWELL NSUH ASP OR & ICU MOCK-UP  
450 LAKEVILLE ROAD LAKE SUCCESS  
NEW YORK, NY 11042

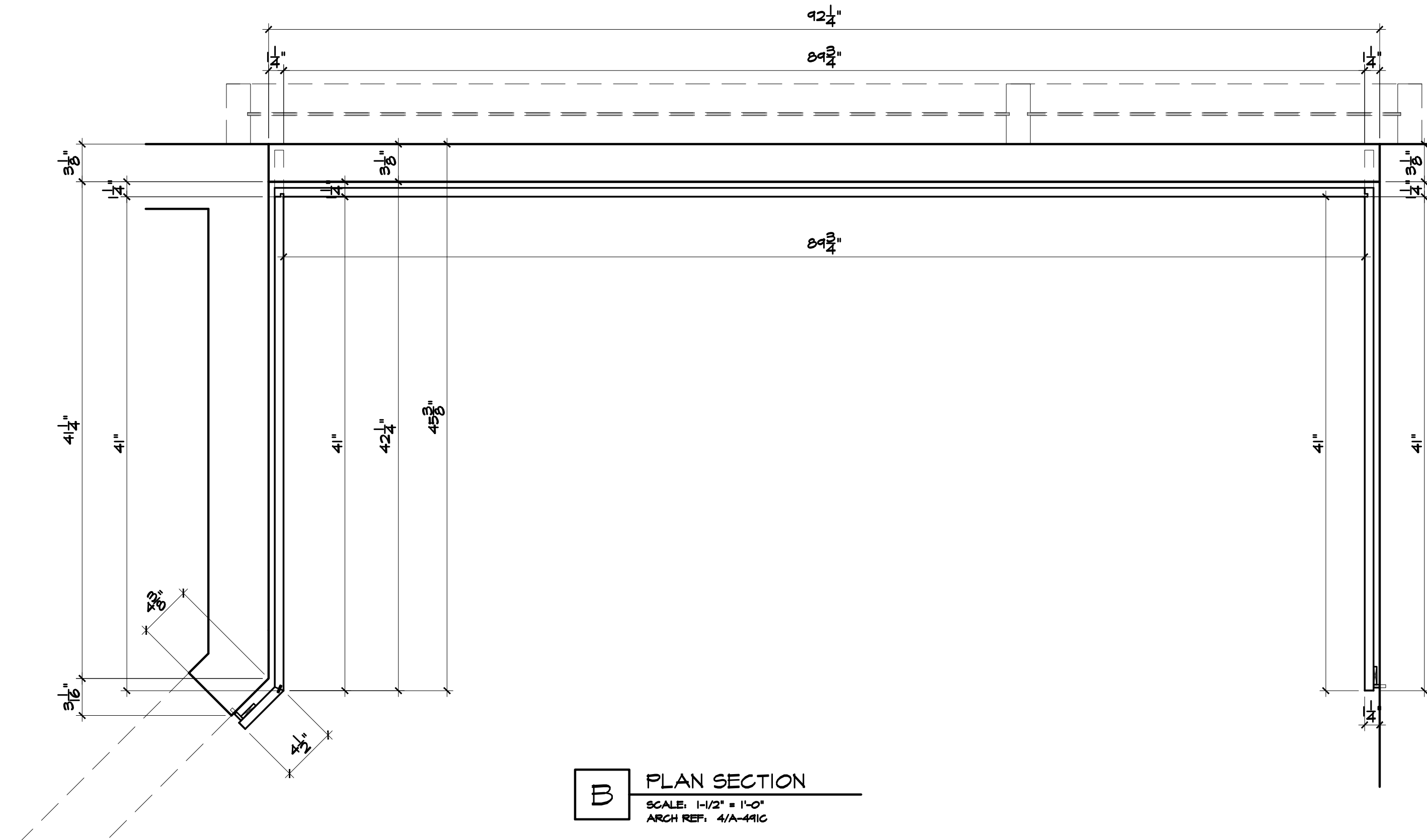
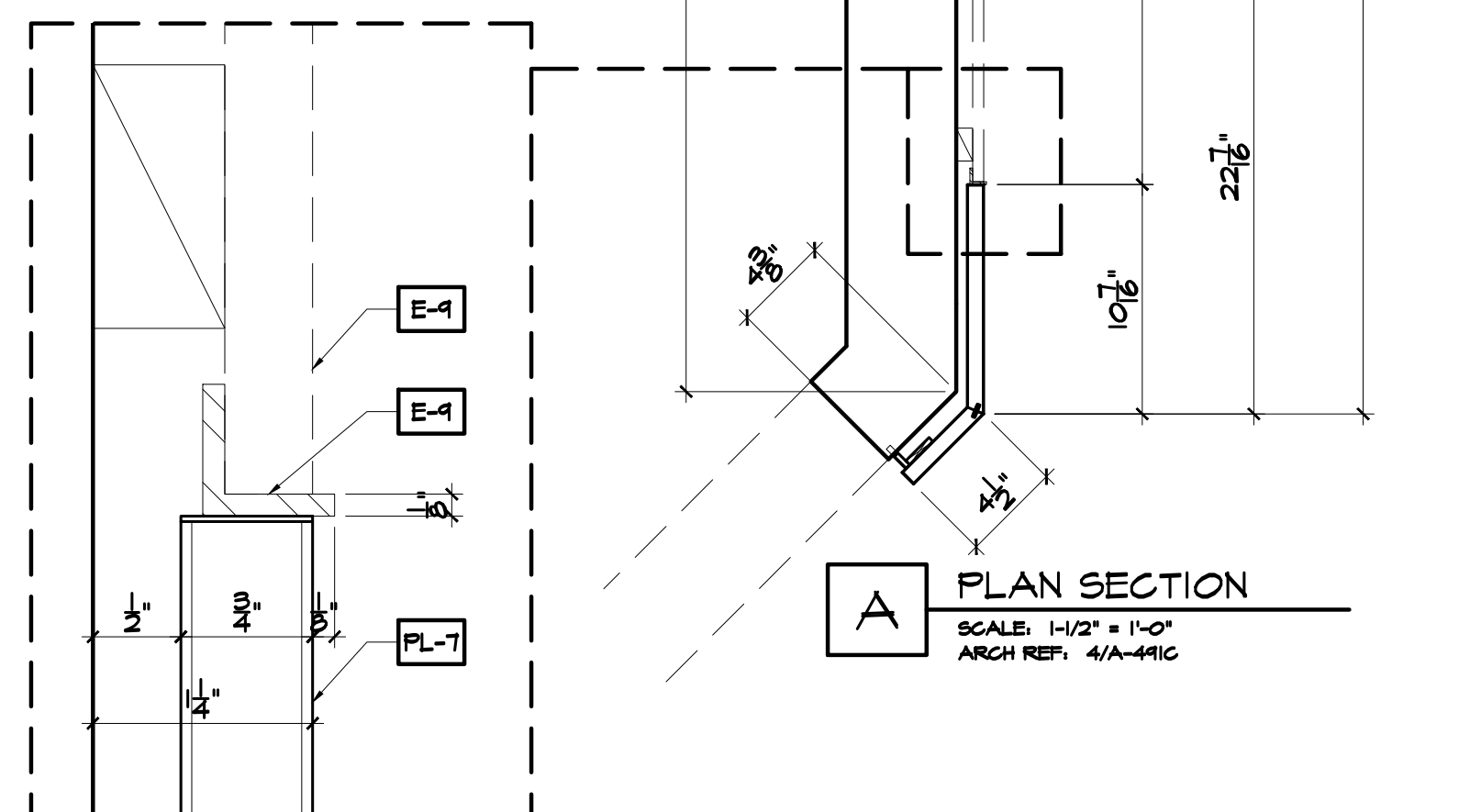
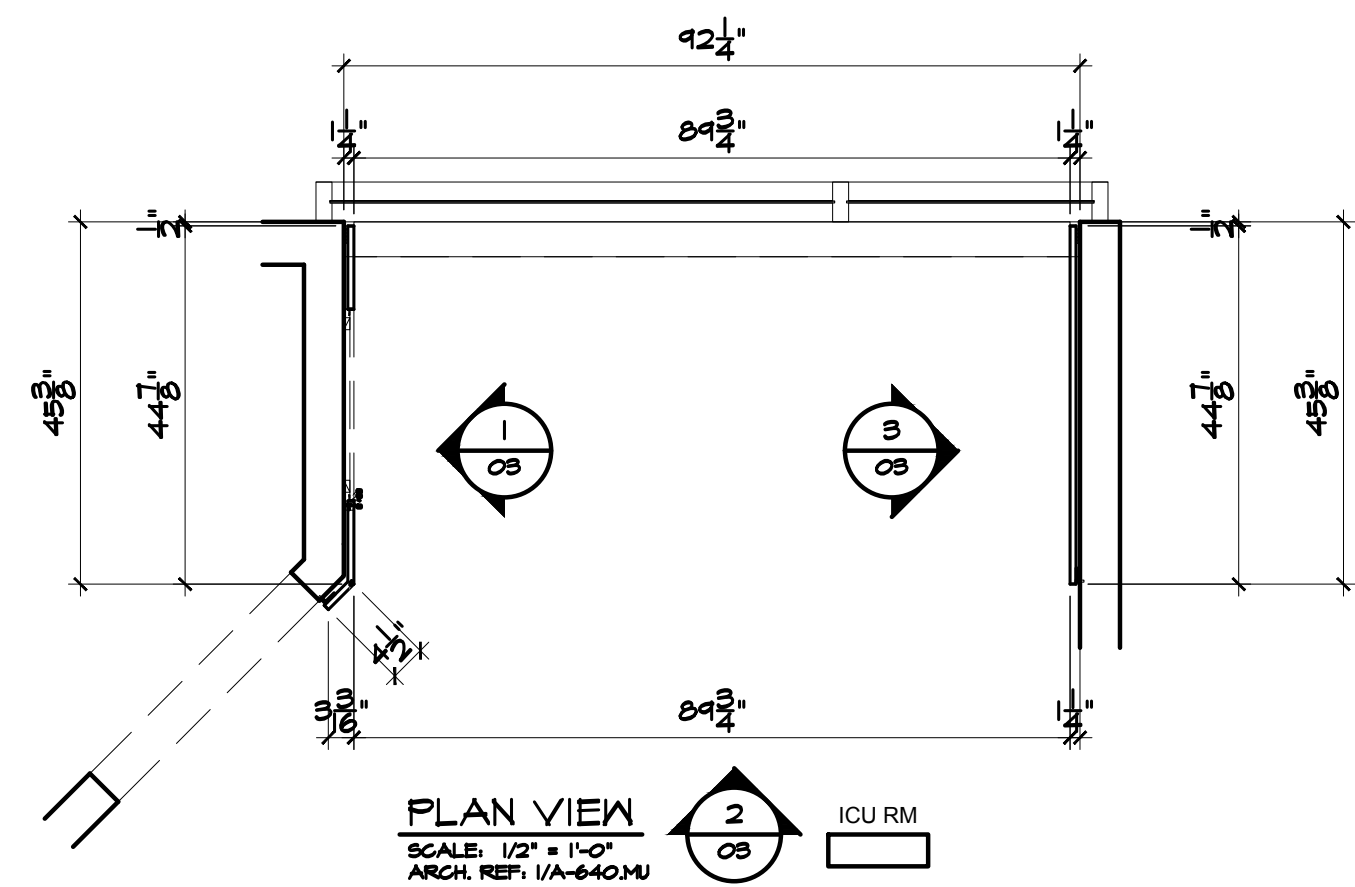
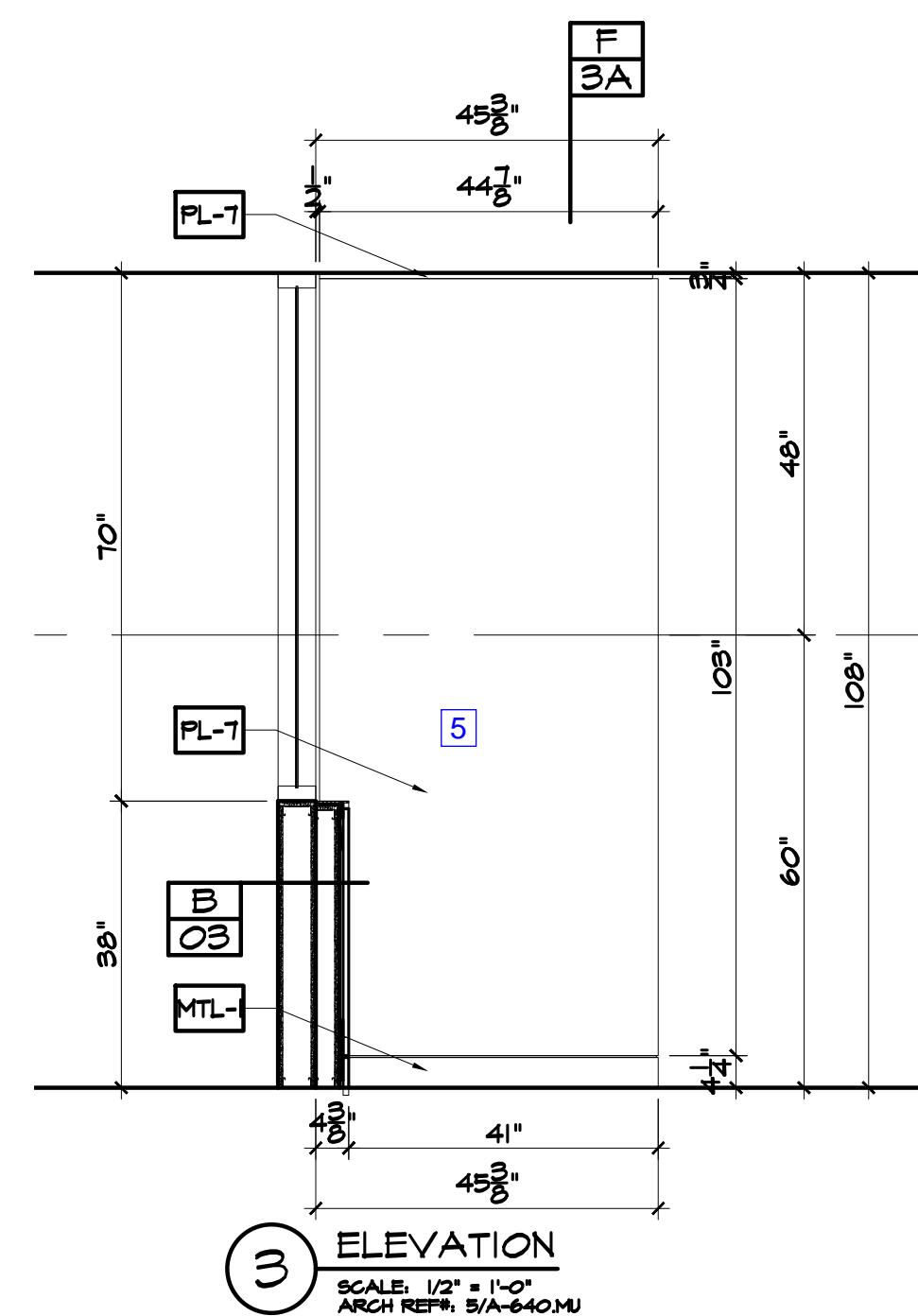
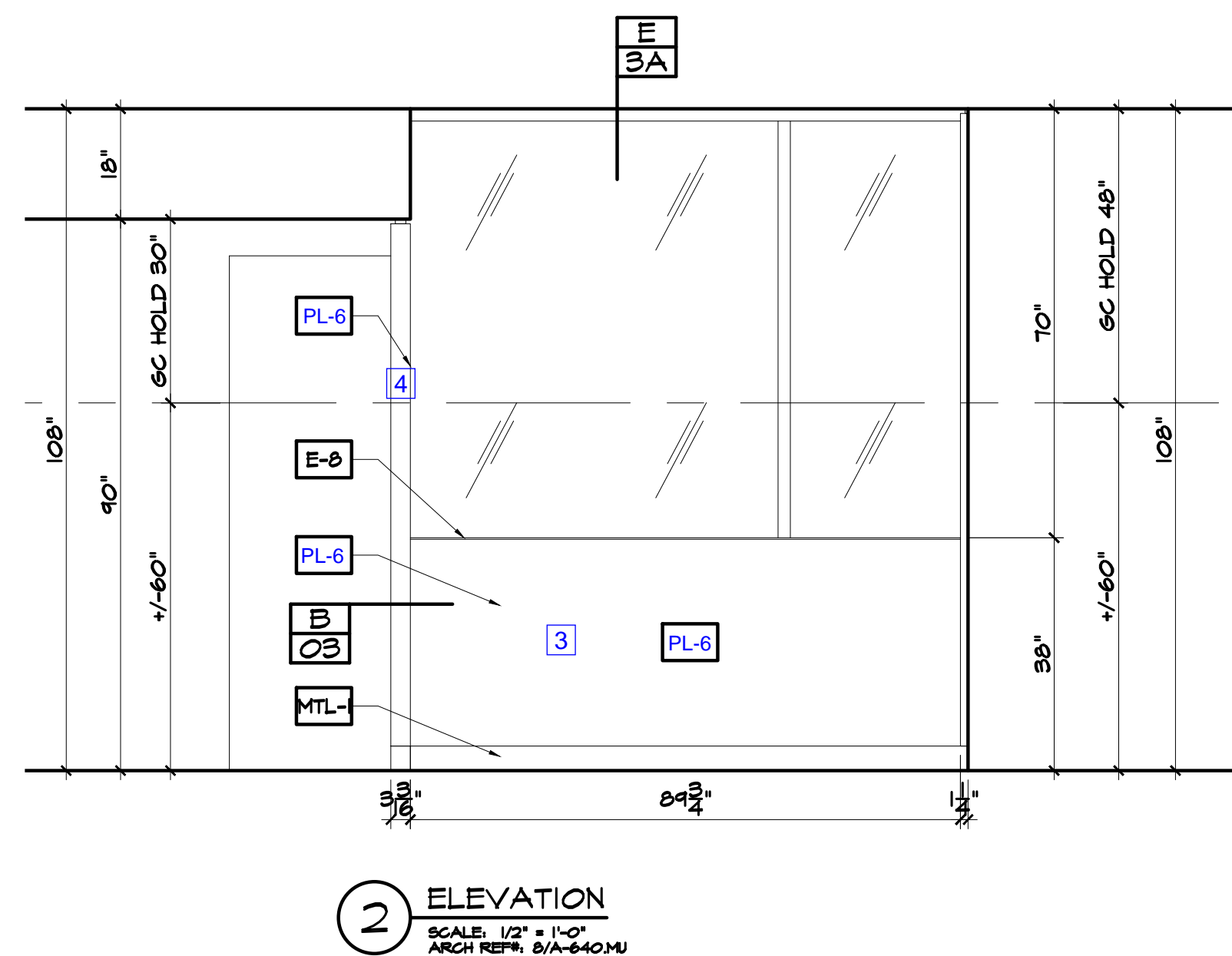
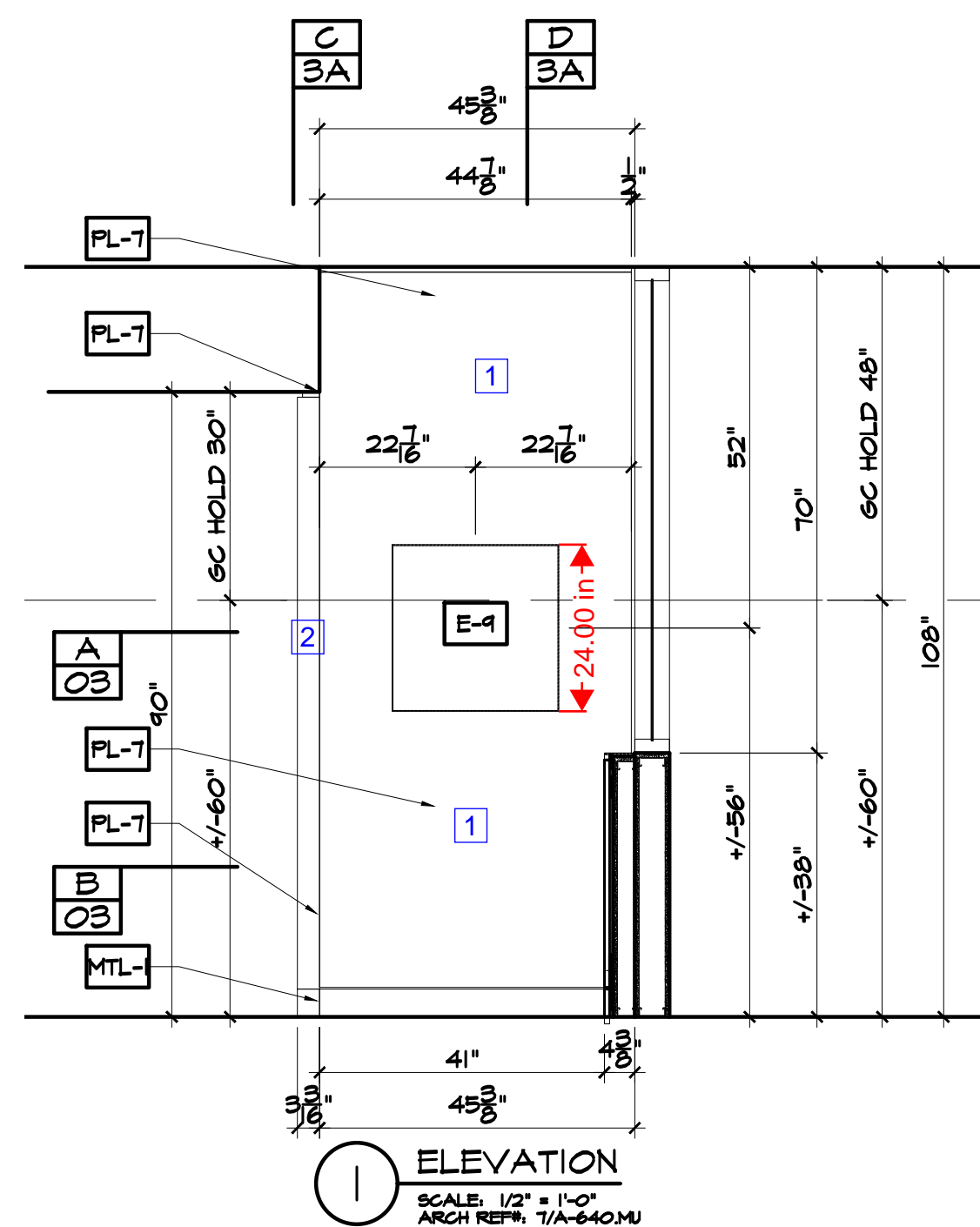
DRAWING TITLE: ICU RM CABINETS

DRAFTER: 68 SCALE: AS NOTED DATE: 09-18-18

JOB NUMBER: C5369 DRAWING NO. 01

JOB Code: 000B

**NOT FOR FABRICATION**



**GENERAL NOTES:**

ALL DRYWALL WORK, IN WALL BLOCKING, CEILING WORK, FLOORING, STONE, GLASS AND GLAZING TO BE FURNISHED AND INSTALLED BY OTHERS.

ALL OTHER TRADES USING THESE DOCUMENTS/DRAWINGS WITHOUT PERMISSION AND COORDINATING WITH ALLCRAFT DO SO AT THEIR OWN RISK AND RESPONSIBILITY.

ALL WOOD PANELS TO BE (PL-7) WITH .018" PVC EDGE TO MATCH, U.O.N.

ALL MAINSCOT PANELS EXPOSED SURFACES TO BE (PL-7) WITH .018" PVC EDGE TO MATCH, U.O.N.

ALL FILLERS AND REVEALS TO BE (PL-7) LEFT LOOSE AND OVERSIZED FOR FIELD FITTINGS, U.O.N.

ALL METAL BASE EXPOSED SURFACES TO BE (MTL-1), U.O.N.

ALL PVC EDGING TO BE PENDING UPON AVAILABILITY OF COLOR, U.O.N.

ALL METAL SILLS TO BE (E-8) FURNISH AND INSTALL BY OTHERS, U.O.N.

ALL IDS PANEL AND METAL FRAME TO BE (E-9) FURNISH AND INSTALL BY OTHERS, U.O.N.

FINISH	FSC	NAUF	Fire Rated
PL-6 Omnova Solutions / Surf(X) 3D Laminate / 509997 / Frosty White			
MTL-1 16 GAUGE SATIN ST/STL			
PL-7 Omnova Solutions / Surf(X) 3D Laminate / 521499 / Walnut Bella			

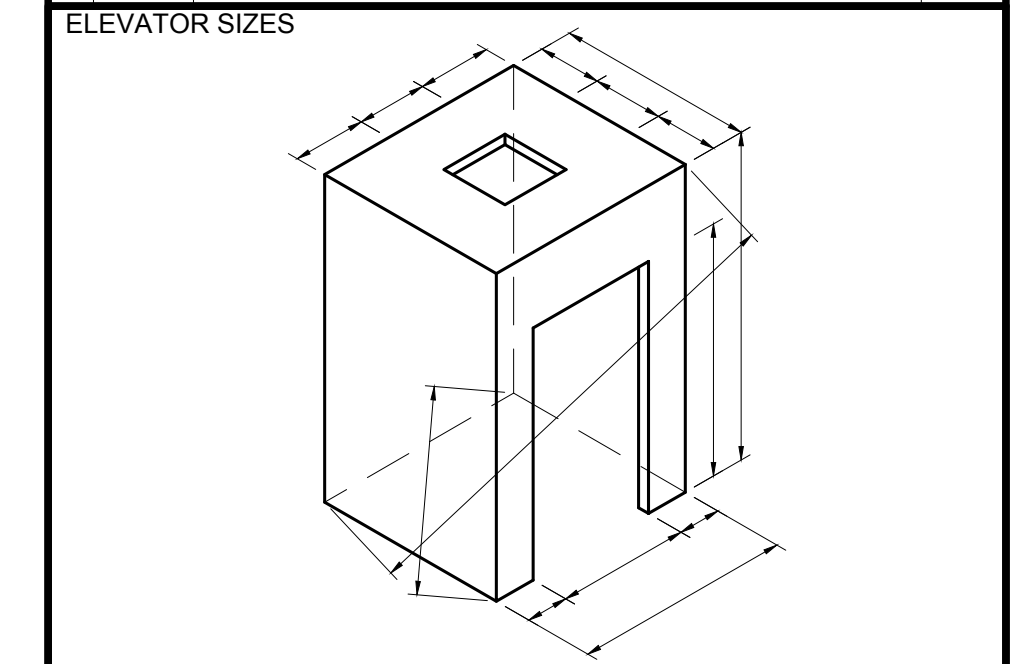
**EXCLUSION**

E-8 METAL SILL FURNISH AND INSTALL BY OTHERS  
E-9 IDS-T PANEL X METAL FRAME FURNISH AND INSTALL BY OTHERS

**HARDWARE AND SPECIAL MATERIAL**

SYMBOL #	DESCRIPTION	MANUFACTURER	ITEM NO	SIZE	FINISH	QTY

NO	DATE	REVISIONS	BY
01	09-20-18	ISSUE FOR APPROVAL.	60



Loose to field  
Fixed in shop

**AWI**

**ALLCRAFT FABRICATORS, INC.**

150 WIRELESS BOULEVARD HAUPPAUGE, NY 11788 p. 631.951.4100 f. 631.951.4040  
DONALDSONORGANIZATION.COM

ARCHITECT: CANNON DESIGN  
360 MADISON AVENUE 11FL  
NEW YORK, NY 10017  
212-972-9800

CONTRACTOR: .  
. .  
. .

PROJECT:  
NORTHWELL NSUH ASP OR & ICU MOCK-UP  
450 LAKEVILLE ROAD LAKE SUCCESS  
NEW YORK, NY 11042

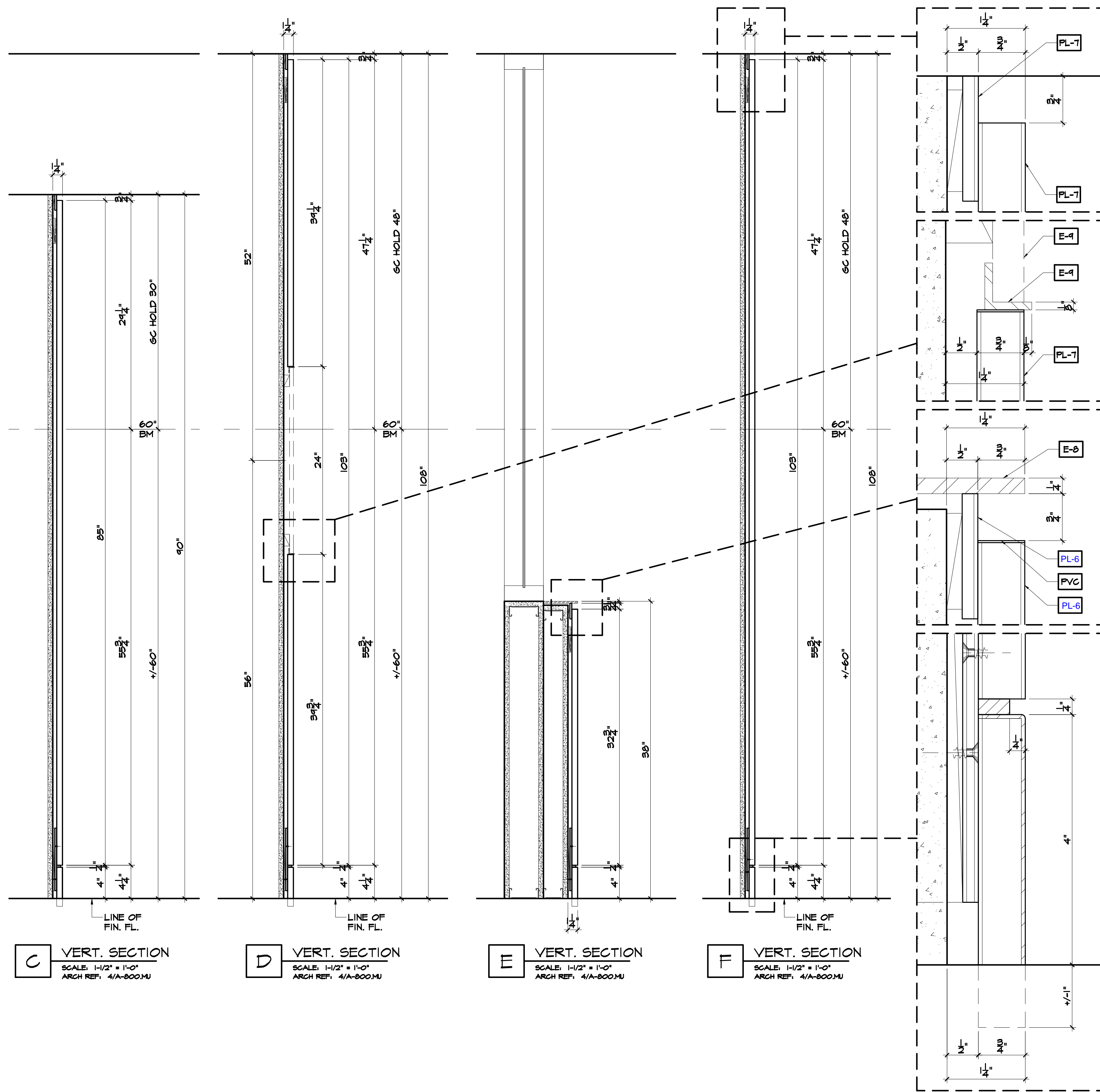
DRAWING TITLE:  
ICU RM WALL PANELS

DRAFTER: 68 SCALE: AS NOTED DATE: 09-18-18

JOB NUMBER: C5369  
JOB Code: 000B

DRAWING NO. 03

**NOT FOR FABRICATION**



**C** VERT. SECTION  
SCALE: 1-1/2" = 1'-0"  
ARCH REF: 4/A-800.MU

**D** VERT. SECTION  
SCALE: 1-1/2" = 1'-0"  
ARCH REF: 4/A-800.MU

**E** VERT. SECTION  
SCALE: 1-1/2" = 1'-0"  
ARCH REF: 4/A-800.MU

**F** VERT. SECTION  
SCALE: 1-1/2" = 1'-0"  
ARCH REF: 4/A-800.MU

**GENERAL NOTES:**

ALL DRYWALL WORK, IN WALL BLOCKING, CEILING WORK, FLOORING, STONE, GLASS AND GLAZING TO BE FURNISHED AND INSTALLED BY OTHERS.

ALL OTHER TRADES USING THESE DOCUMENTS/DRAWINGS WITHOUT PERMISSION AND COORDINATING WITH ALLCRAFT DO SO AT THEIR OWN RISK AND RESPONSIBILITY.

ALL WOOD PANELS TO BE (PL-7) WITH .018" PVC EDGE TO MATCH, U.O.N.

ALL MAINSCOT PANELS EXPOSED SURFACES TO BE (PL-7) WITH .018" PVC EDGE TO MATCH, U.O.N.

ALL FILLERS AND REVEALS TO BE (PL-7) LEFT LOOSE AND OVERSIZED FOR FIELD FITTING, U.O.N.

ALL METAL BASE EXPOSED SURFACES TO BE (MTL-1), U.O.N.

ALL PVC EDGING TO BE PENDING UPON AVAILABILITY OF COLOR, U.O.N.

ALL METAL SILLS TO BE (E-8) FURNISH AND INSTALL BY OTHERS, U.O.N.

ALL IDS PANEL AND METAL FRAME TO BE (E-4) FURNISH AND INSTALL BY OTHERS, U.O.N.

FINISH	FSC	NAUF	Fire Rated
PL-6 Omnova Solutions / Surf(X) 3D Laminate / 509997 / Frosty White			
MTL-1 16 GAUGE SATIN ST/STL			
PL-7 Omnova Solutions / Surf(X) 3D Laminate / 521499 / Walnut Bella			

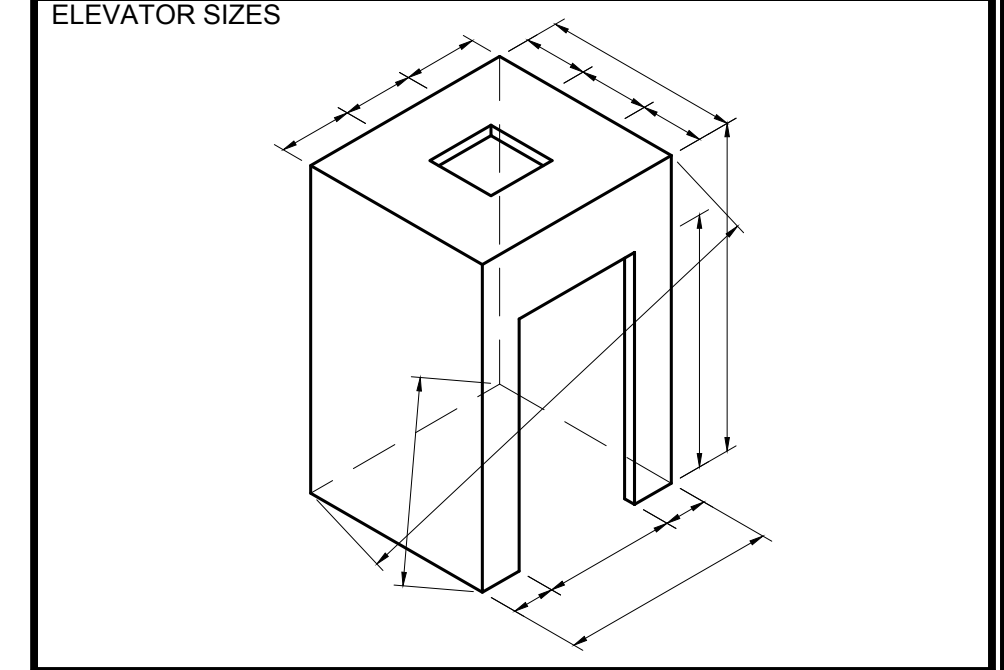
**EXCLUSION**

E-8 METAL SILL FURNISH AND INSTALL BY OTHERS  
E-9 IDS-T PANEL x METAL FRAME FURNISH AND INSTALL BY OTHERS

**HARDWARE AND SPECIAL MATERIAL**

SYMBOL #	DESCRIPTION	MANUFACTURER	ITEM NO	SIZE	FINISH	QTY

NO	DATE	REVISIONS	BY
01	04-20-18	ISSUE FOR APPROVAL.	66



Loose to field  
Fixed in shop

**ALLCRAFT FABRICATORS, INC.**

150 WIRELESS BOULEVARD HAUPPAUGE, NY 11788 p. 631.951.4100 f. 631.951.4040  
DONALDSONORGANIZATION.COM

ARCHITECT: CANNON DESIGN  
360 MADISON AVENUE 11FL  
NEW YORK, NY 10017  
212-972-9800

CONTRACTOR:

PROJECT:  
NORTHWELL NSUH ASP OR & ICU MOCK-UP  
450 LAKEVILLE ROAD LAKE SUCCESS  
NEW YORK, NY 11042

DRAWING TITLE:  
ICU RM WALL PANELS

DRAFTER: 68 SCALE: AS NOTED DATE: 09-18-18

JOB NUMBER: C5369 DRAWING NO. 3A

JOB Code: 000B

**NOT FOR FABRICATION**