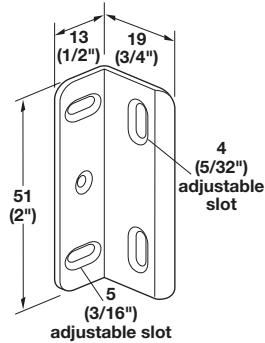


Drawer Front Adjustment Fittings



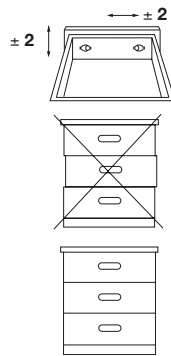
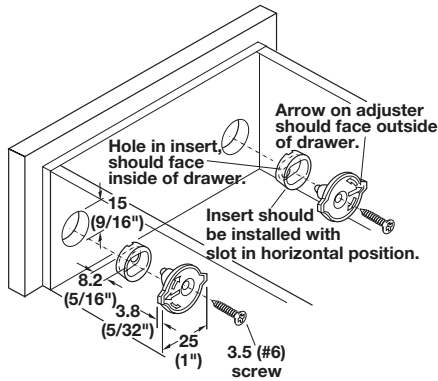
**Kolbe Korner**

Material: Plastic, Polycarbonate

Color	Item No.	Bulk
white	260.26.760	260.26.761
light maple	260.26.160	-

**Note**

Bulk pack contains 500 pcs.

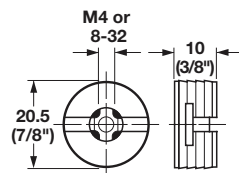


**Front Panel Adjustment Fitting**

- Consists of 1 insert Ø15 mm (9/16") and 1 adjusting element
- Pressed or glued into a Ø15 mm (9/16") hole in drawer front panel (min. thickness of drawer front panel is 8 mm (5/16"))
- Loosen the screws before adjusting

Color	Item No.
white	039.60.709

8

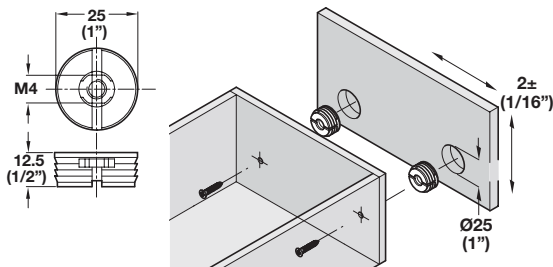


**Drawer-Front Connector**

- Pressed in a 20 mm (3/16") hole in drawer front
- Allows for ± 2 mm (1/16") horizontal or vertical adjustment

Material: Plastic; Color: natural

Version	Item No.
M4	430.90.704
8-32	430.90.713



**Drawer Front Adjuster**

- One part drawer front adjusting fitting fits into a Ø25 mm (1") hole in the drawer front
- Only the screw head used to mount and adjust is visible
- The floating action inside the fitting allows for 2± mm (1/16") adjustment of the drawer front in two directions

Material: Fitting: Plastic; Insert: Steel

Color	Item No.
white	430.90.323

Dimensions in mm  
Inches are approximate