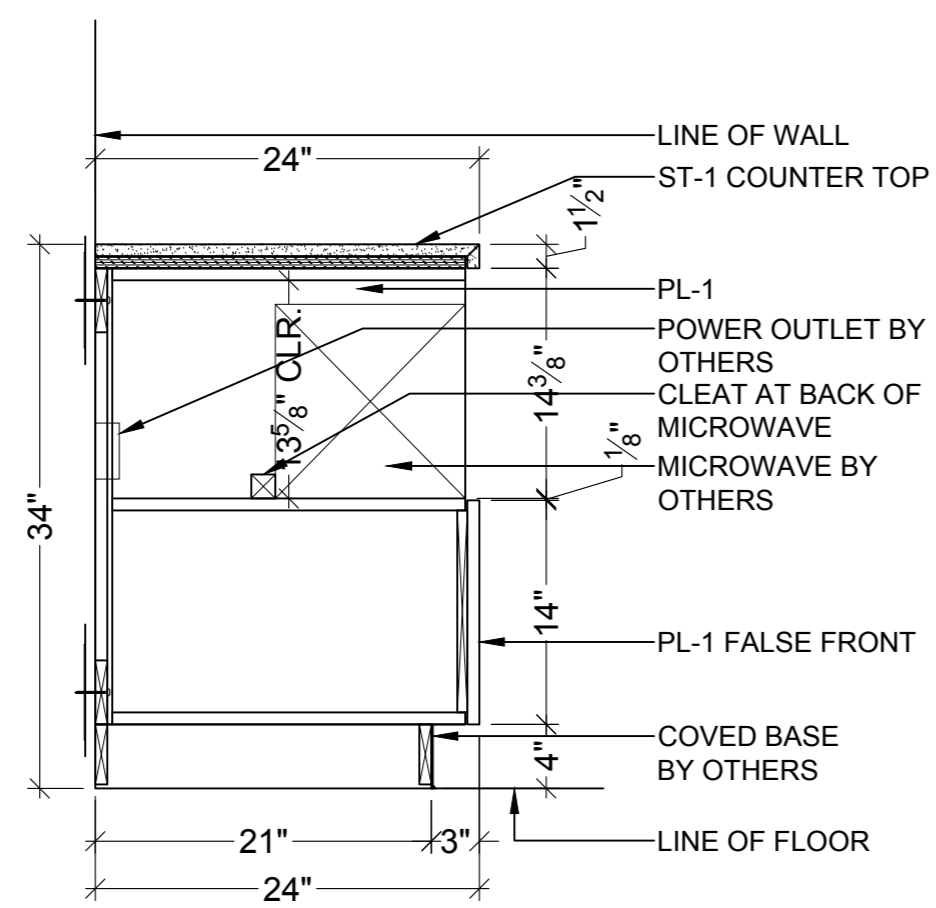
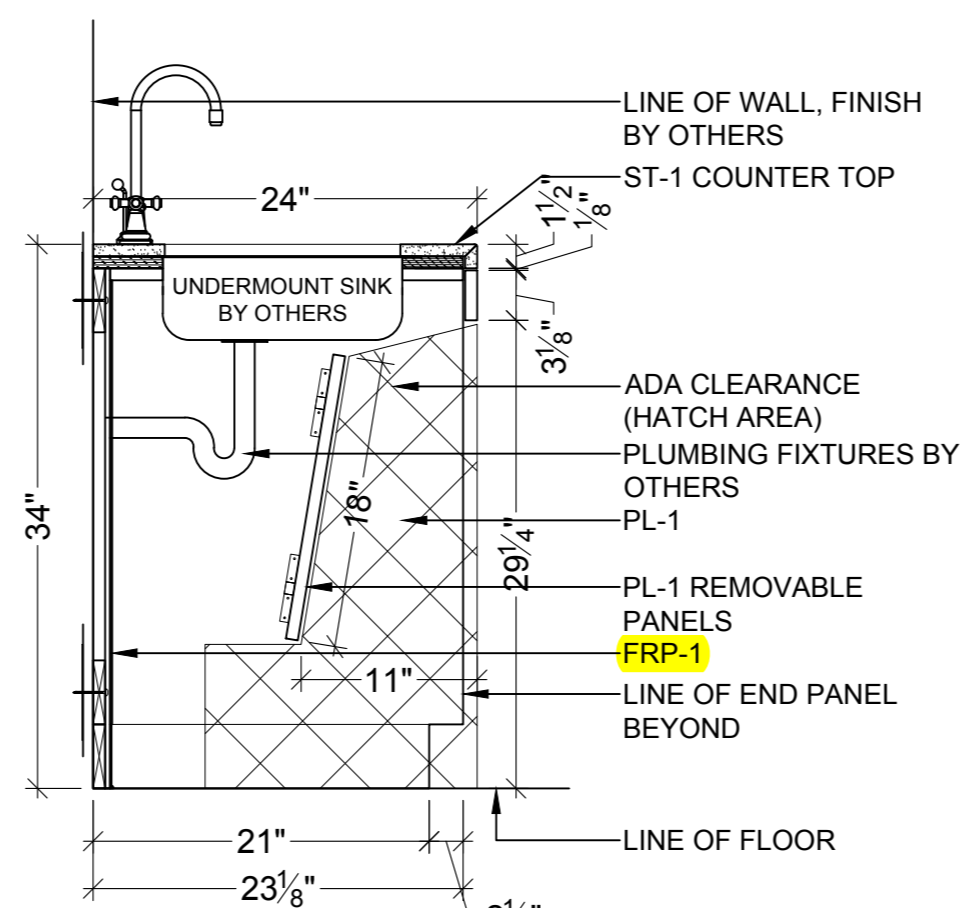


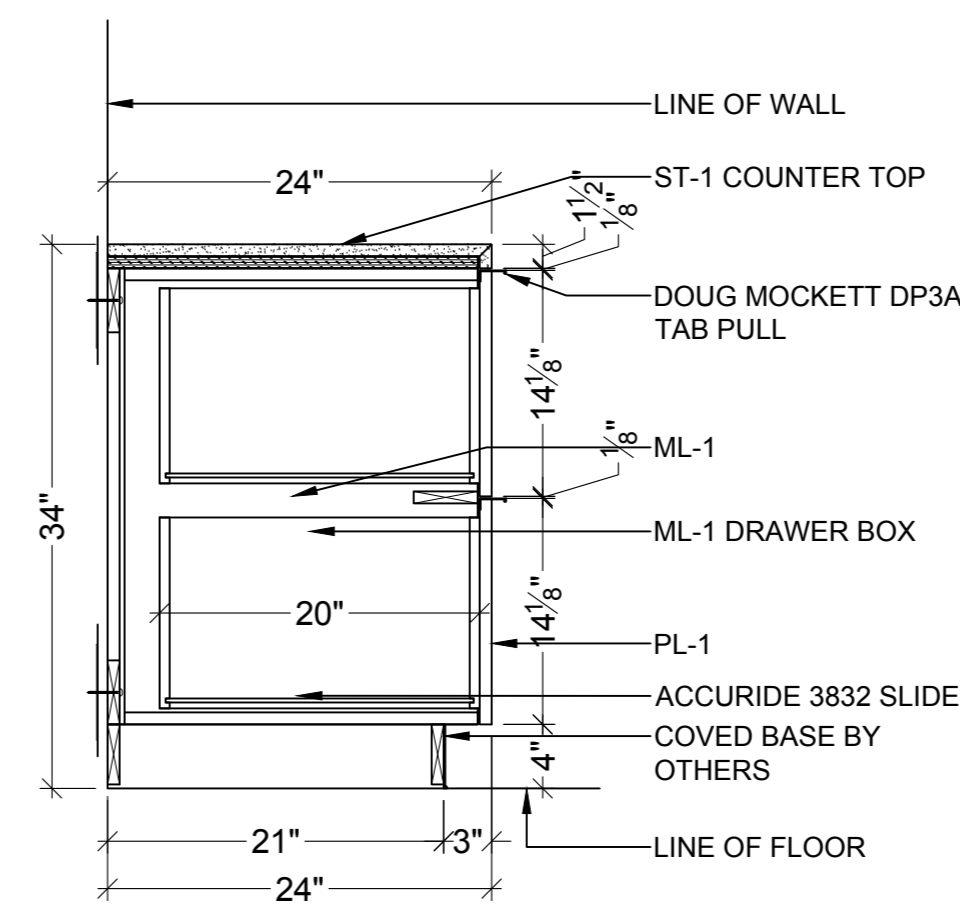
3 SECTION  
SCALE: 1" = 1'-0"



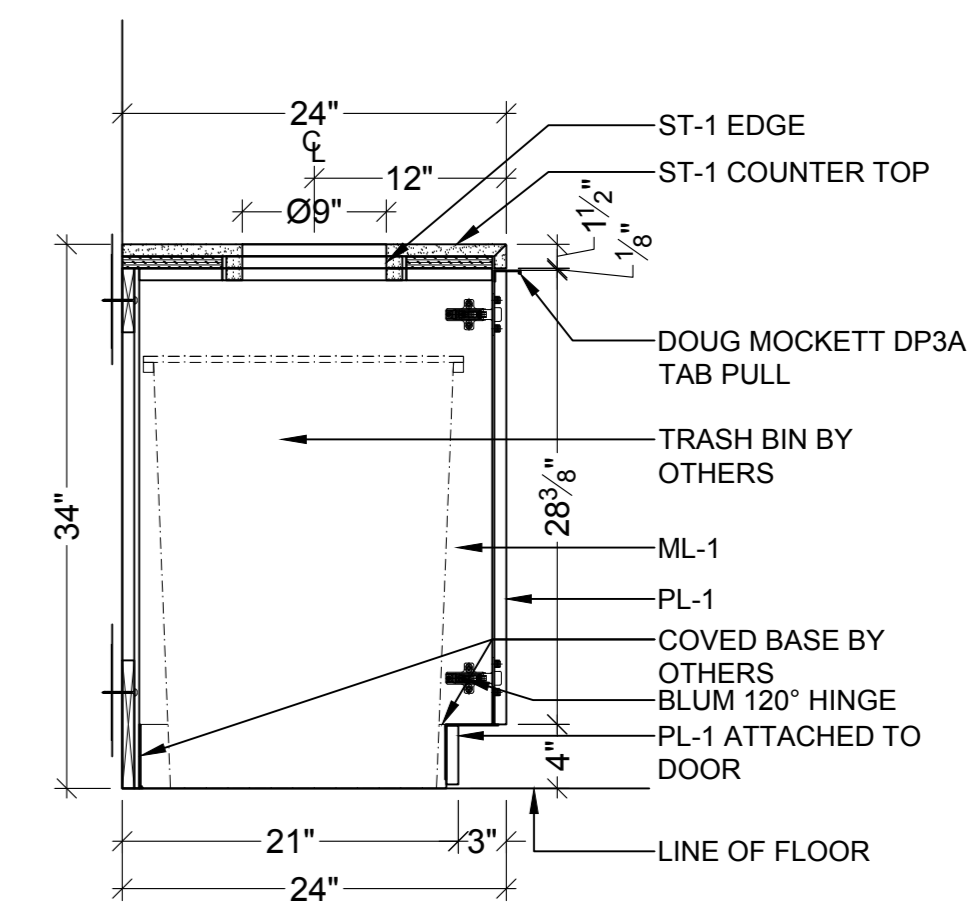
4 SECTION  
SCALE: 1" = 1'-0"



5 SECTION  
SCALE: 1" = 1'-0"



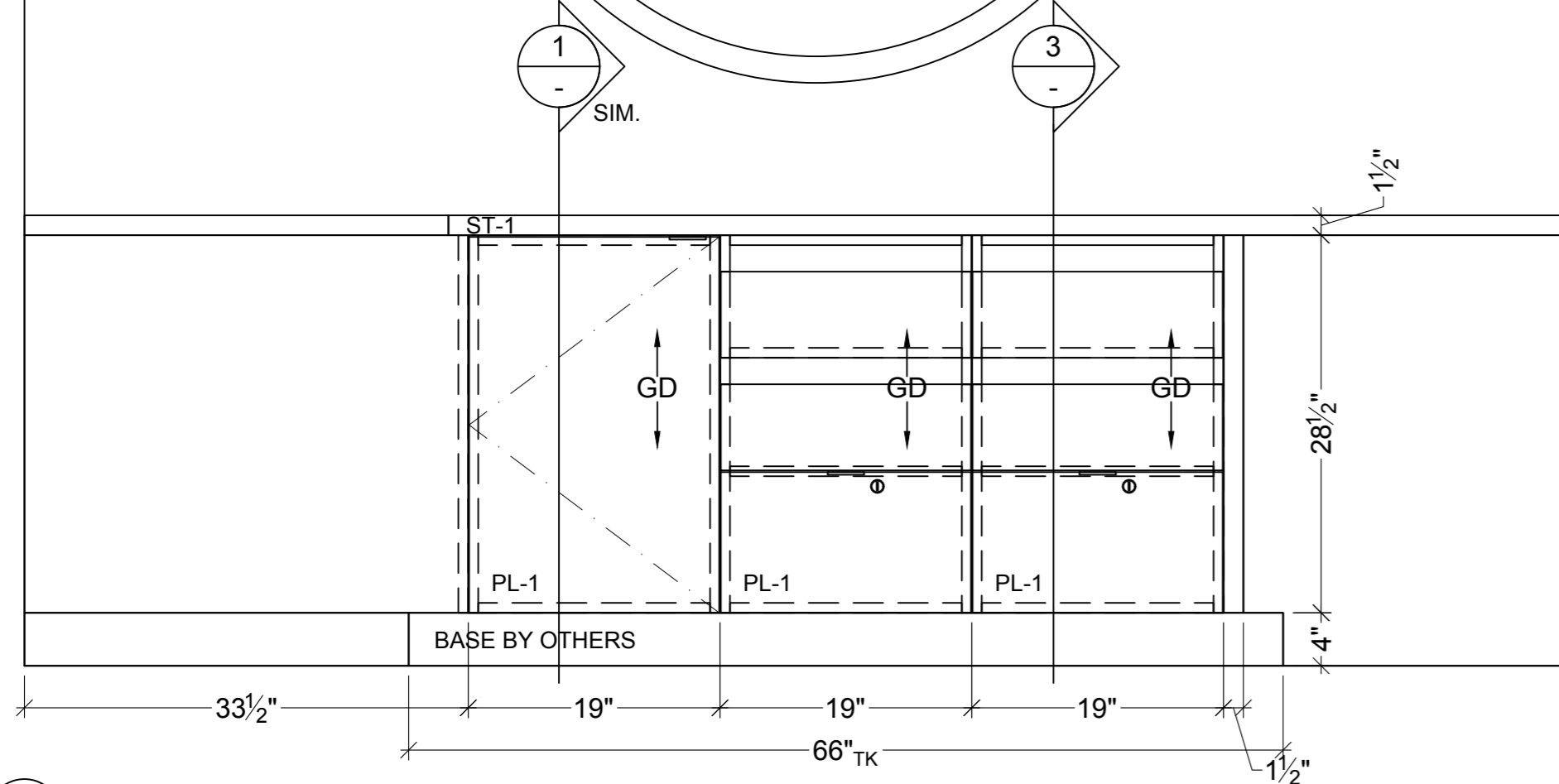
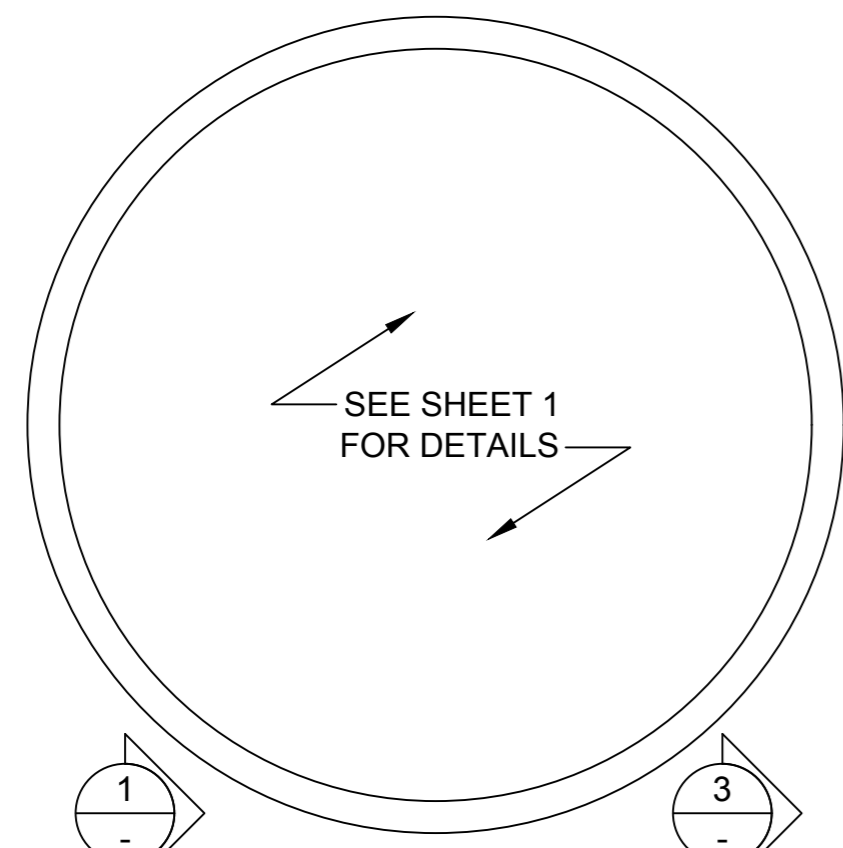
6 SECTION  
SCALE: 1" = 1'-0"



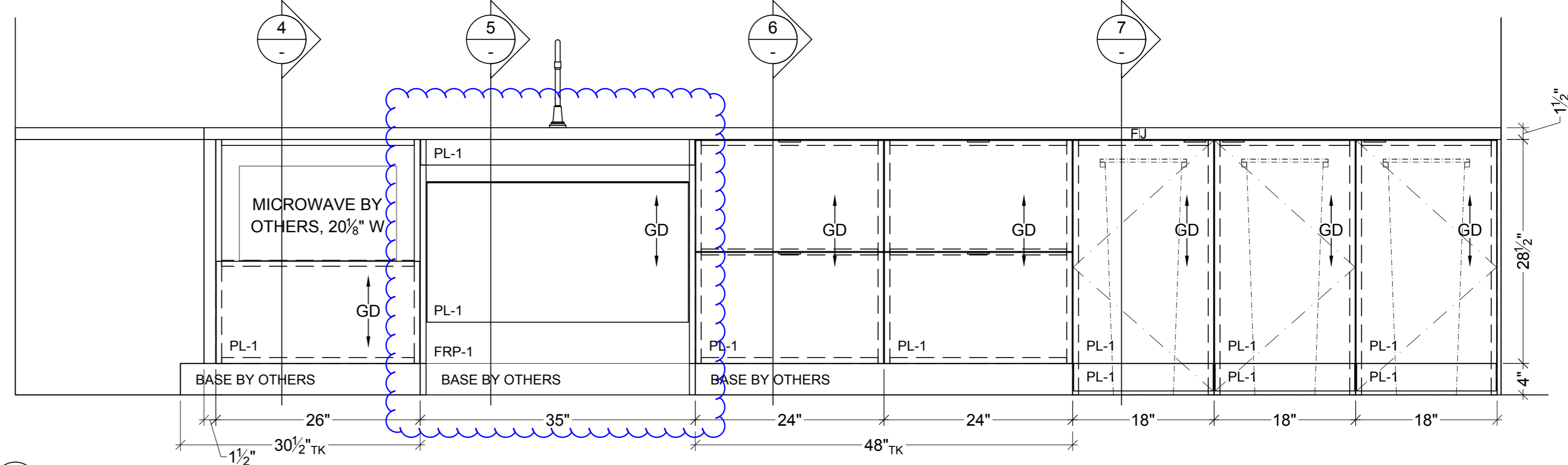
7 SECTION  
SCALE: 1" = 1'-0"

LEGEND

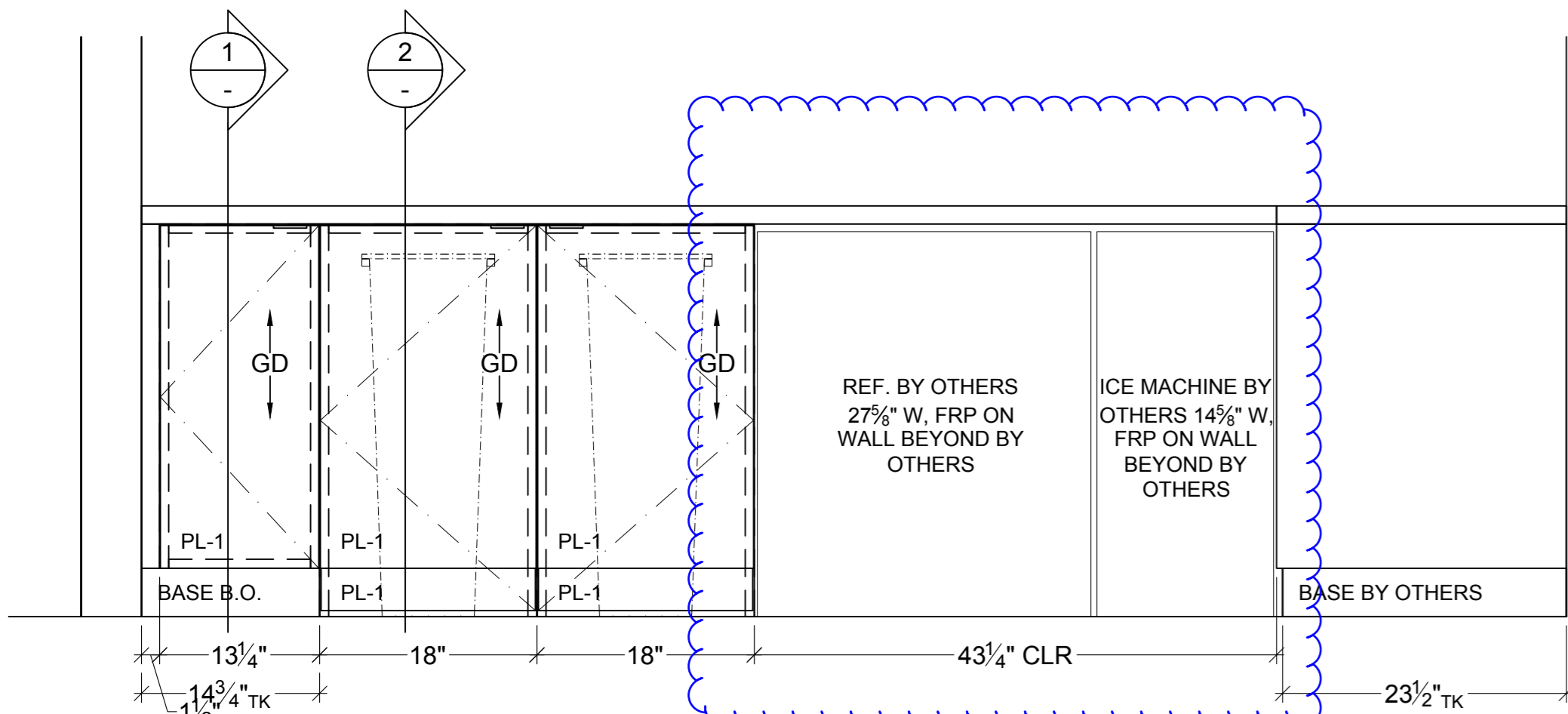
#	IDENTIFICATION		COLOR NUMBER	LOCATION
ST-1 (SSM-1)		CAMBRIA QUARTS, DEVON	2170	COUNTER TOP
PL-1	WA	NATURAL RECON, FINE VELVET TEXTURE	7996-38	EXPOSED SURFACES
PL-2		WHITE LAMINATE		DRAWER BOXES
FRP-1		MARLITE FRP, WHITE	S100 S/2/S	SINK BACKS
ML-1		WHITE MELAMINE		SEMI EXPOSED



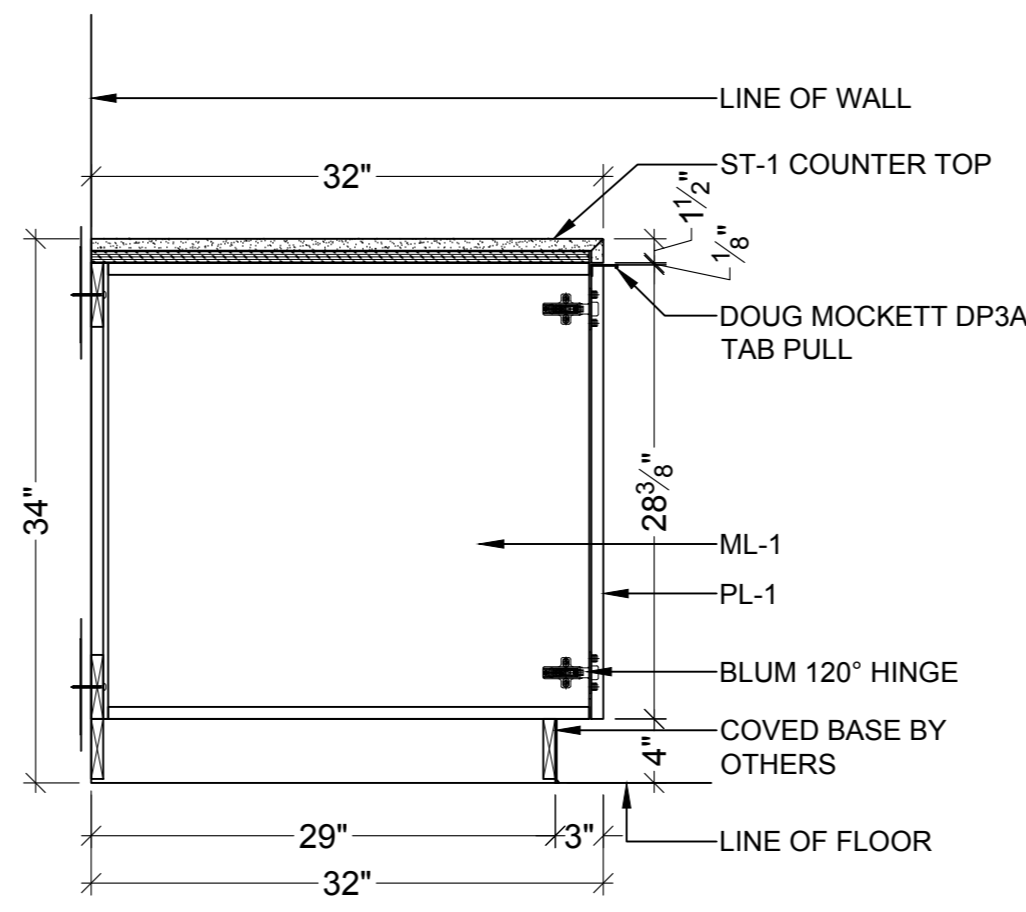
B ELEVATION @ BREAK ROOM 102  
SCALE: 1" = 1'-0"



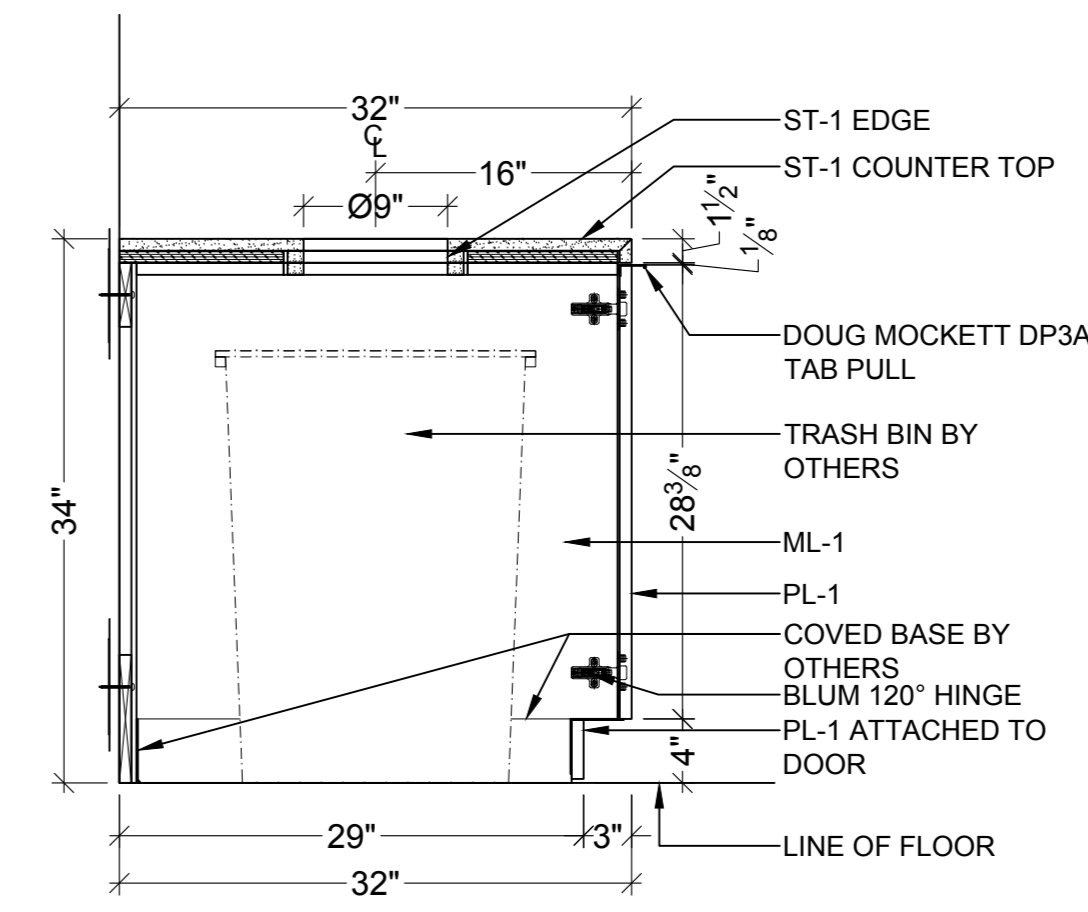
C ELEVATION @ BREAK ROOM 102  
SCALE: 1" = 1'-0"



A ELEVATION @ BREAK ROOM 102  
SCALE: 1" = 1'-0"



1 SECTION  
SCALE: 1" = 1'-0"



2 SECTION  
SCALE: 1" = 1'-0"