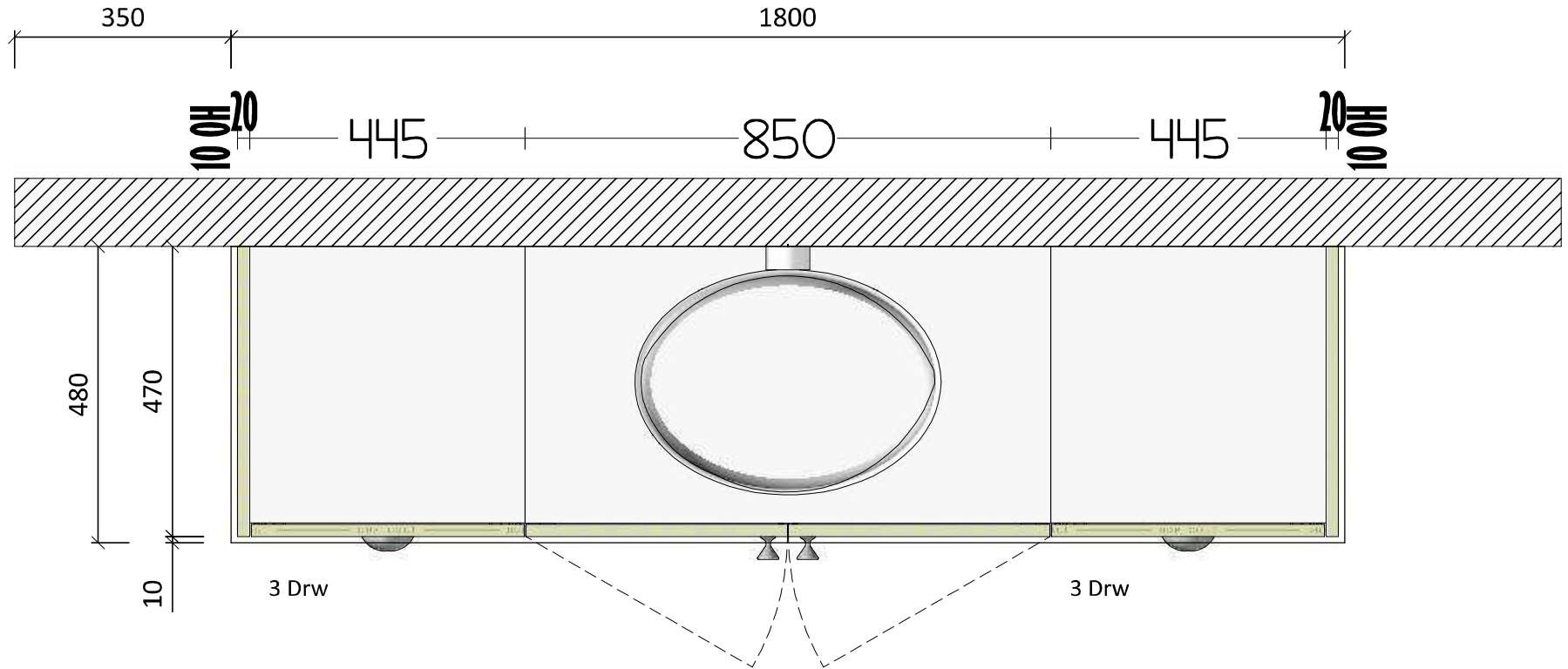


# PLAN VIEW



Quote#: ----

LEWIS Ensuite Vanity : LEWIS Ensuite Vanity

PLAN VIEW

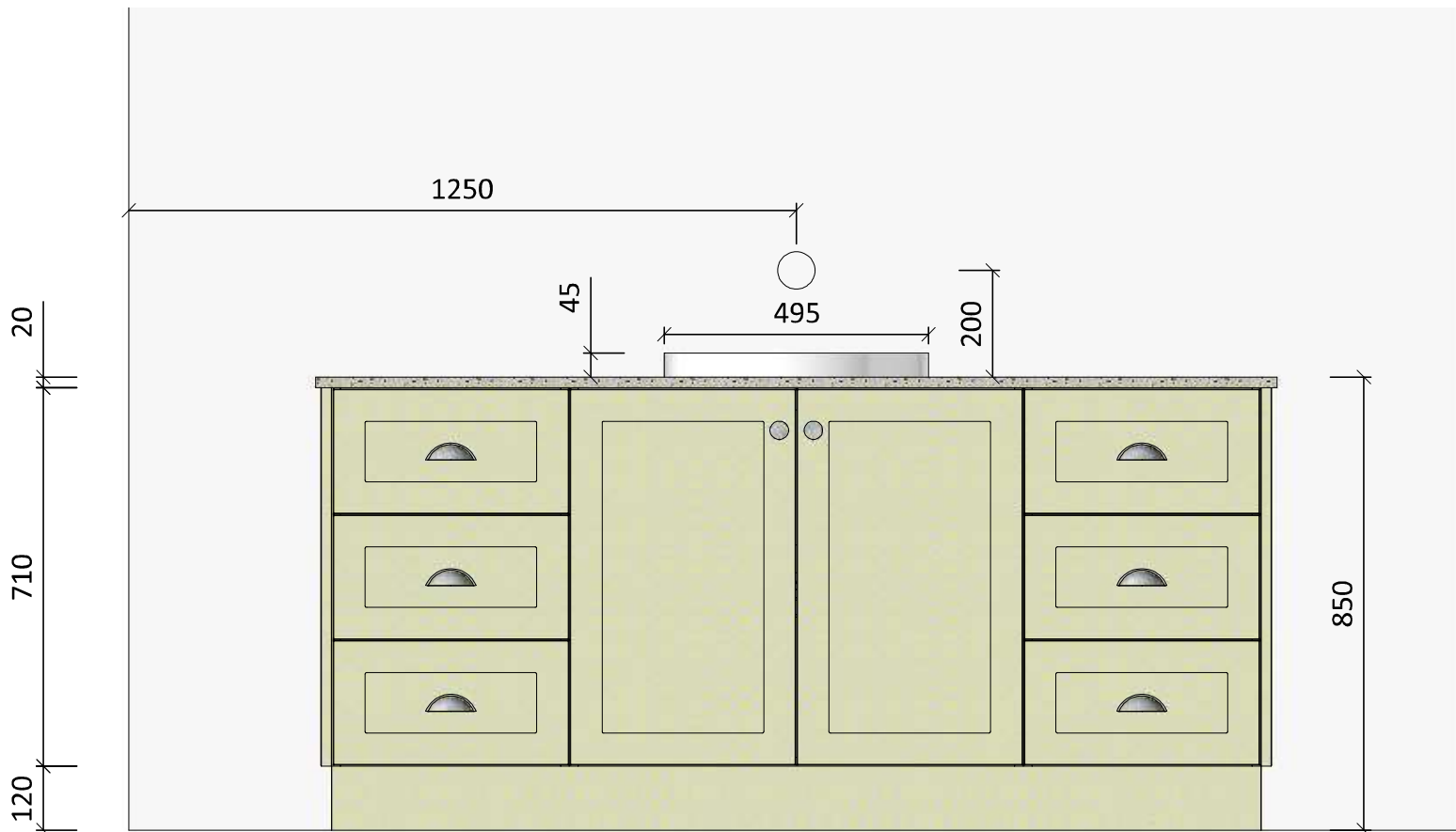
T:\SystemJoinery\2023-08-03 Q4774 Lewis\4774 LEWIS Ensuite Vanity.dft

See: Michael Lazarou

*Lazarou Joinery - Design IP is company property - all rights reserved*

Printed: 13/09/2023

# ELEVATION #1



Quote#: ----

LEWIS Ensuite Vanity : LEWIS Ensuite Vanity

ELEVATION #1

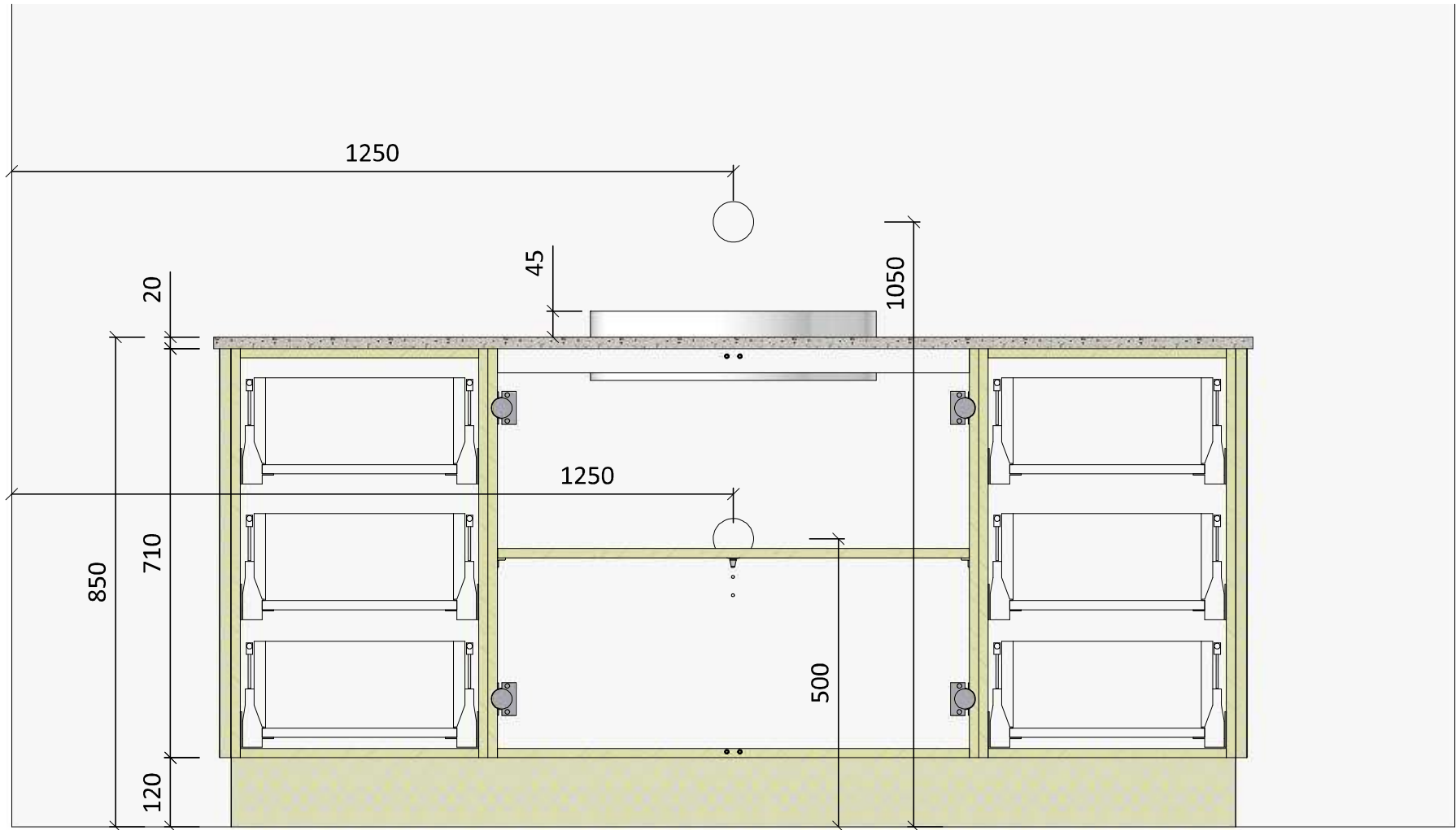
T:\SystemJoinery\2023-08-03 Q4774 Lewis\4774 LEWIS Ensuite Vanity.dft

See: Michael Lazarou

*Lazarou Joinery - Design IP is company property - all rights reserved*

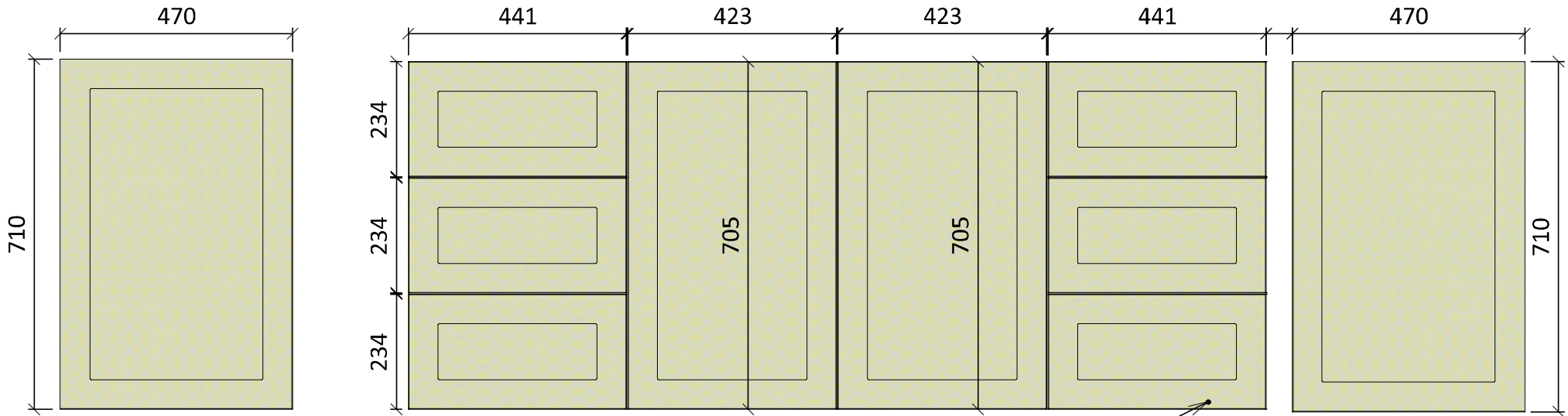
Printed: 13/09/2023

# ELEVATION #2



Quote#: ----	LEWIS Ensuite Vanity : LEWIS Ensuite Vanity	ELEVATION #2
T:\SystemJoinery\2023-08-03 Q4774 Lewis\4774 LEWIS Ensuite Vanity.dft		
See: Michael Lazarou	<i>Lazarou Joinery - Design IP is company property - all rights reserved</i>	Printed: 13/09/2023

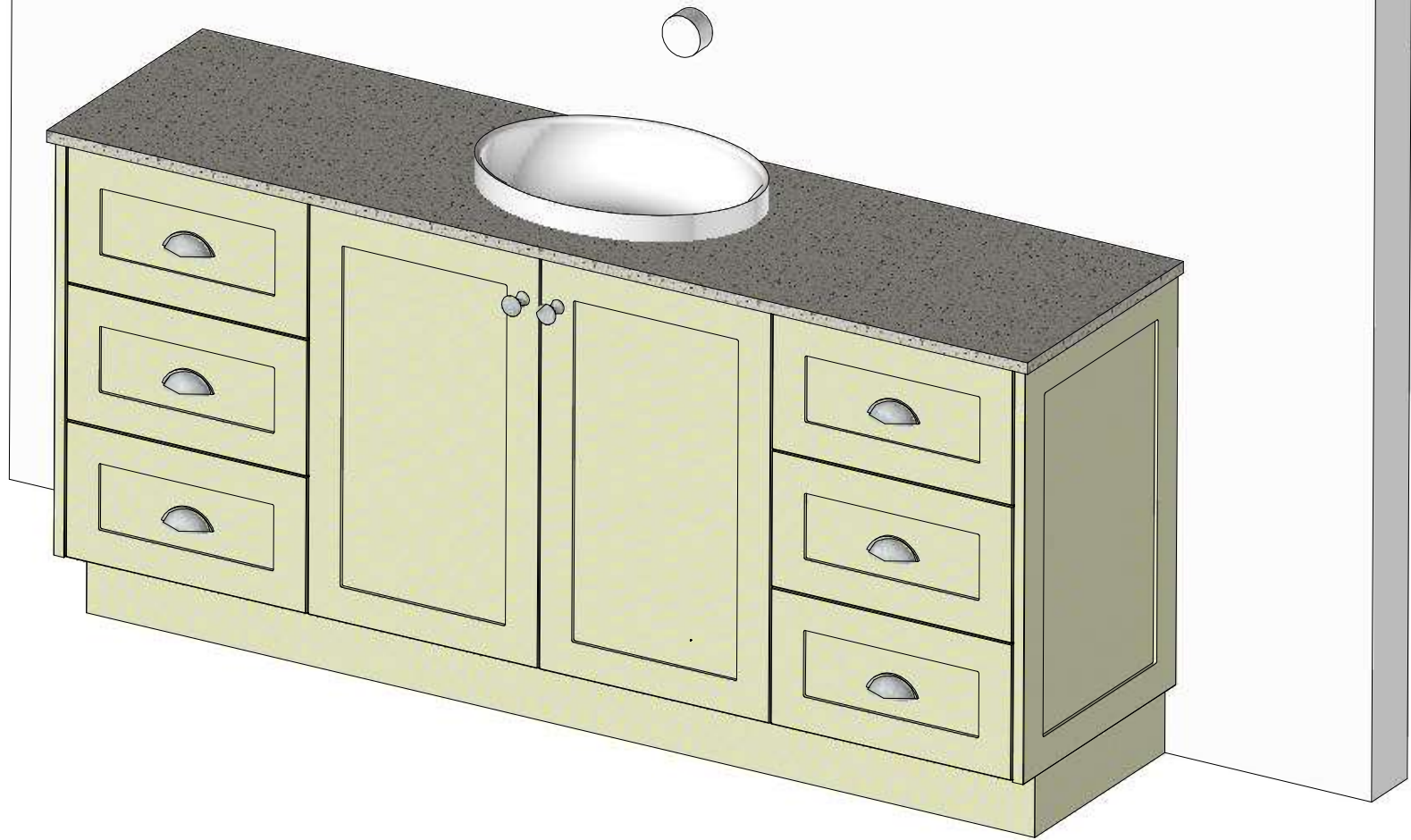
# FRONTS ORDER



DGI Contemporary  
 FM02, IP02 20mm thick Sq Edge, Blackbutt raw

Quote#: ----	LEWIS Ensuite Vanity : LEWIS Ensuite Vanity	ELEVATION #3
T:\SystemJoinery\2023-08-03 Q4774 Lewis\4774 LEWIS Ensuite Vanity.dft		
See: Michael Lazarou	<i>Lazarou Joinery - Design IP is company property - all rights reserved</i>	Printed: 13/09/2023

# PERSPECTIVE #1



Quote#: ----

LEWIS Ensuite Vanity : LEWIS Ensuite Vanity

PERSPECTIVE #1

T:\SystemJoinery\2023-08-03 Q4774 Lewis\4774 LEWIS Ensuite Vanity.dft

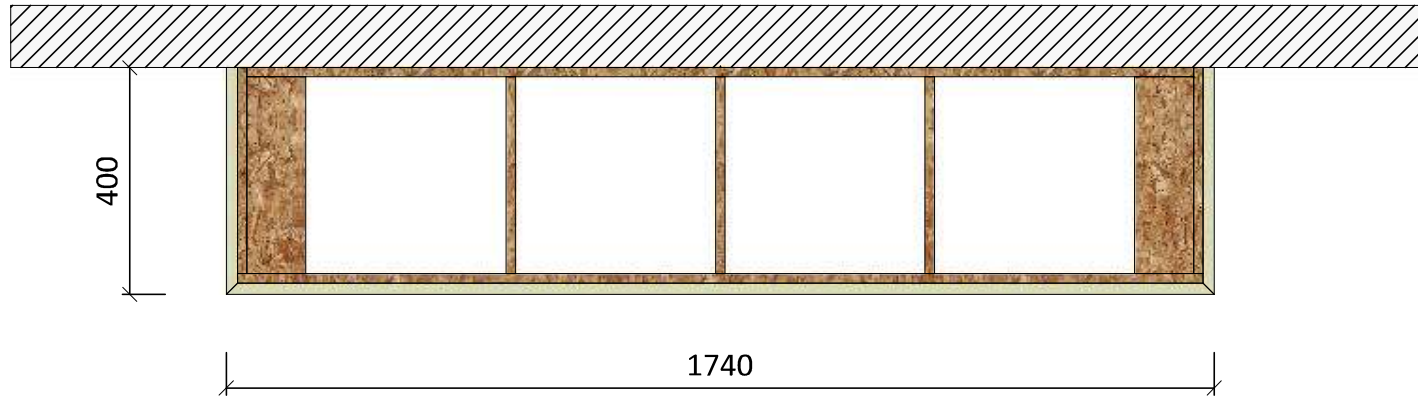
See: Michael Lazarou

*Lazarou Joinery - Design IP is company property - all rights reserved*

Printed: 13/09/2023

HK: 120mm  
HKP: 16mm  
FFD: 0mm

# KICKS INSTALL PLAN



4774 LEWIS ENSUITE VANITY Mitred Kicks  
- 120mm Kicker Height  
- 16mm Packing Height

Kick Style : MITRED  
Colour / Finish : Blackbutt / 2-Pac Clear  
Floor Covering :  
Existing Footprint? : NO  
Seperate Faces? : HAS NO SEPERATE FACES

Quote#: ----

LEWIS Ensuite Vanity : LEWIS Ensuite Vanity

KICKS INSTALL

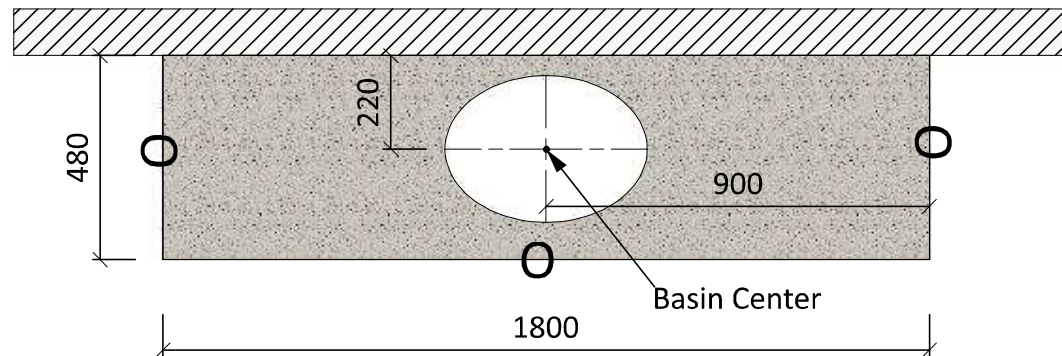
T:\SystemJoinery\2023-08-03 Q4774 Lewis\4774 LEWIS Ensuite Vanity.dft

See: Michael Lazarou

*Lazarou Joinery - Design IP is company property - all rights reserved*

Printed: 13/09/2023

# STONE TOPS ORDER



4774 LEWIS ENSUITE VANITY Stone Tops  
 For Lazarou Joinery. Contact: (02) 6342 2536  
 - 20mm thick  
 - Bono 'DaVinci Blanco Smartstone'; polished finish  
 - 850mm Floor-to-Top Height  
 - HAS NO Waterfall Ends  
 - 3MM PENCIL ROUND edge profile

O = Polished Edge  
 /\ = Bevelled Edge  
 x = raw edge

Quote#: ----	LEWIS Ensuite Vanity : LEWIS Ensuite Vanity	STONE TOPS
T:\SystemJoinery\2023-08-03 Q4774 Lewis\4774 LEWIS Ensuite Vanity.dft		
See: Michael Lazarou	<i>Lazarou Joinery - Design IP is company property - all rights reserved</i>	Printed: 13/09/2023