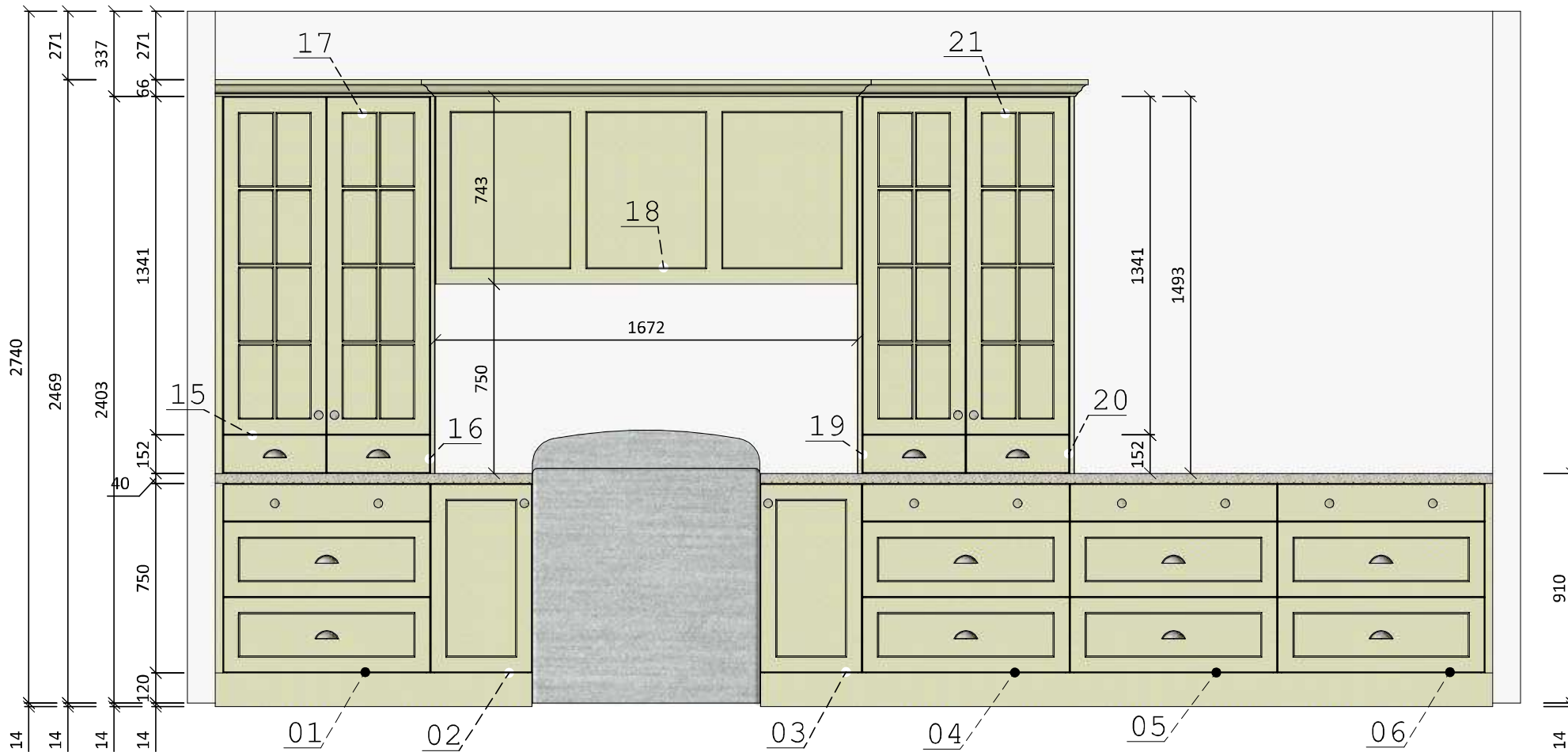


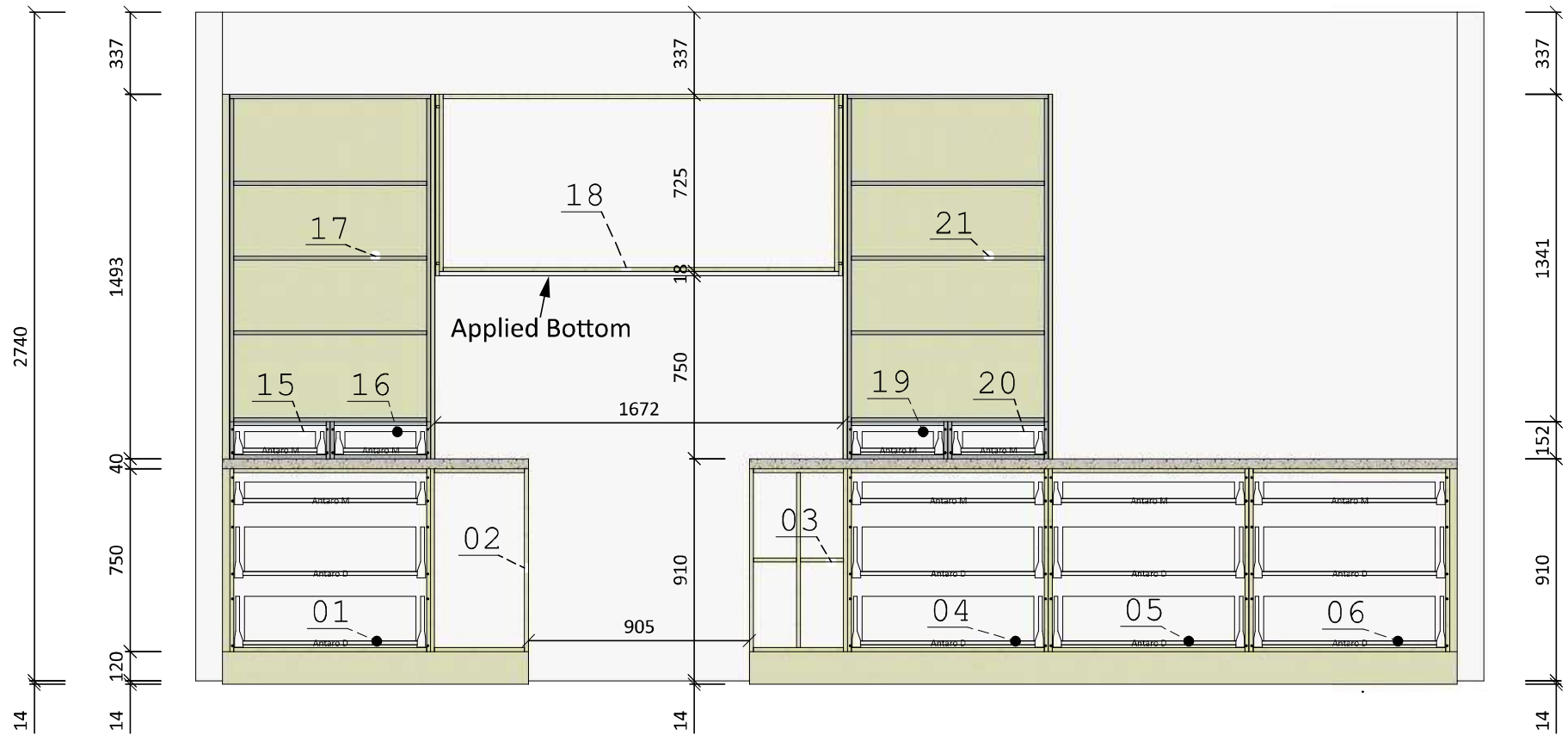
PLAN VIEW

ELEVATION #1



Quote#: 4774	LEWIS Kitchen : LEWIS Kitchen	ELEVATION #1
T:\SystemJoinery\2023-08-03 Q4774 Lewis\4774 LEWIS Kitchen.dft		
See: Michael Lazarou	Lazarou Joinery - Design IP is company property - all rights reserved	Printed: 13/09/2023

ELEVATION #2



Quote#: 4774

LEWIS Kitchen : LEWIS Kitchen

ELEVATION #2

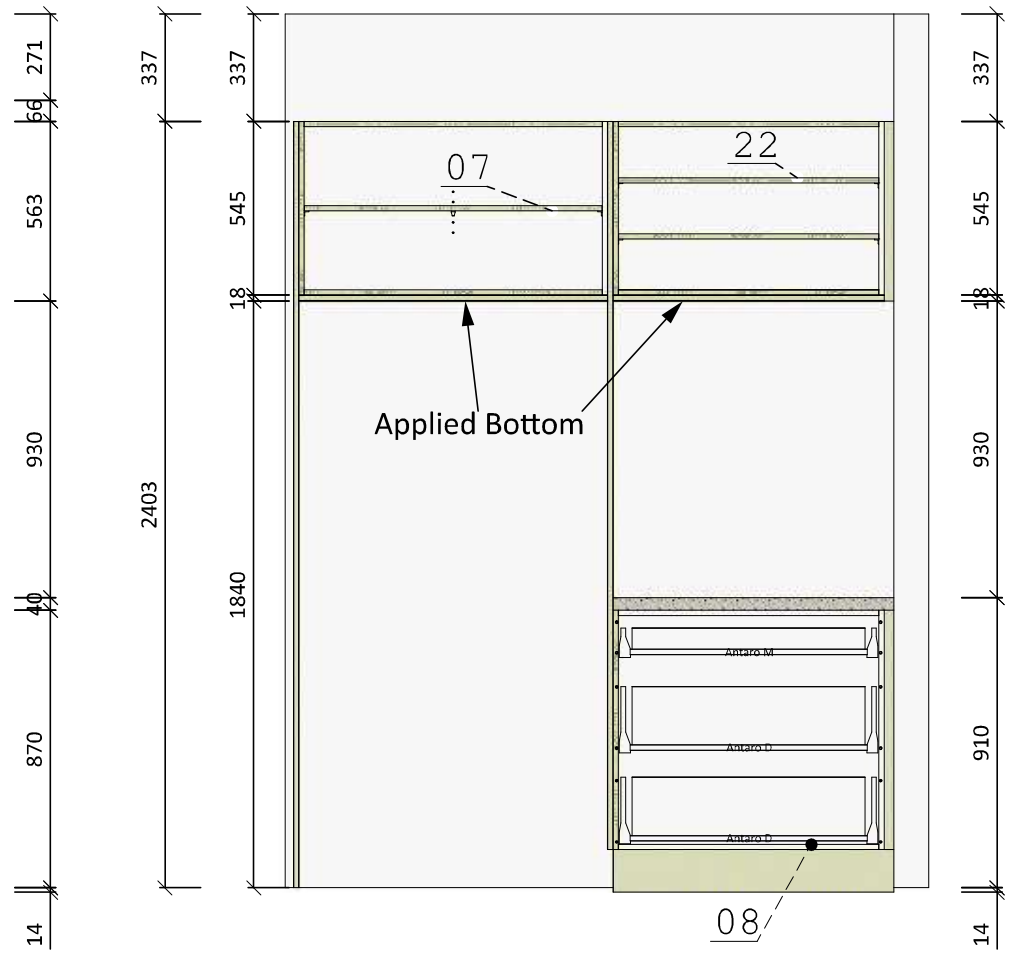
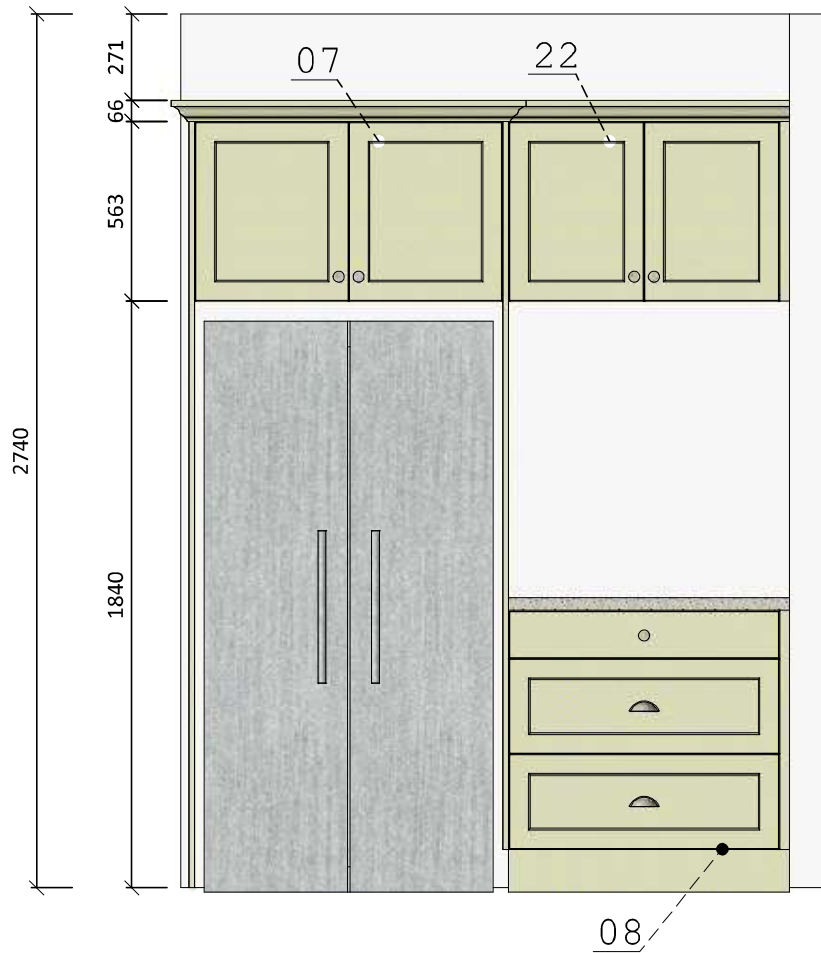
T:\SystemJoinery\2023-08-03 Q4774 Lewis\4774 LEWIS Kitchen.dft

See: Michael Lazarou

Lazarou Joinery - Design IP is company property - all rights reserved

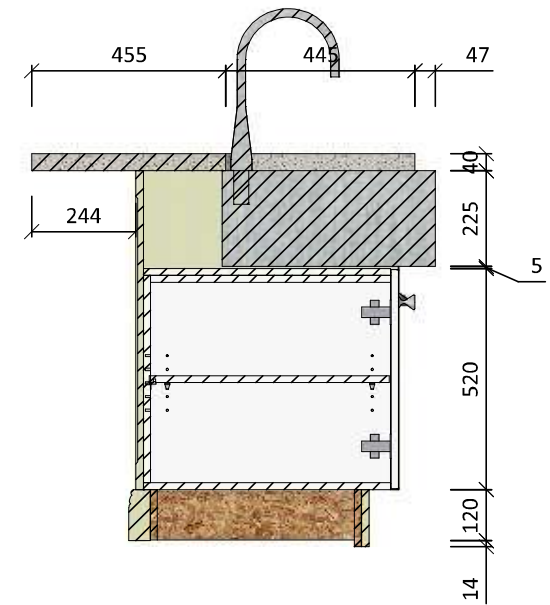
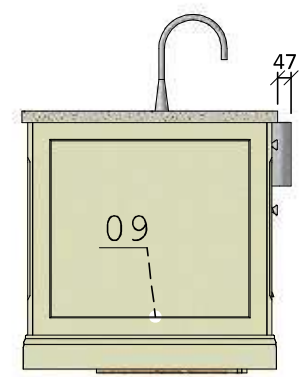
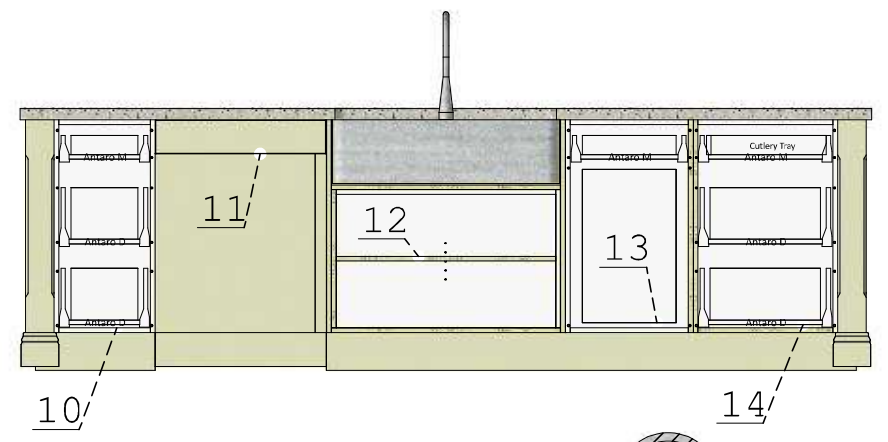
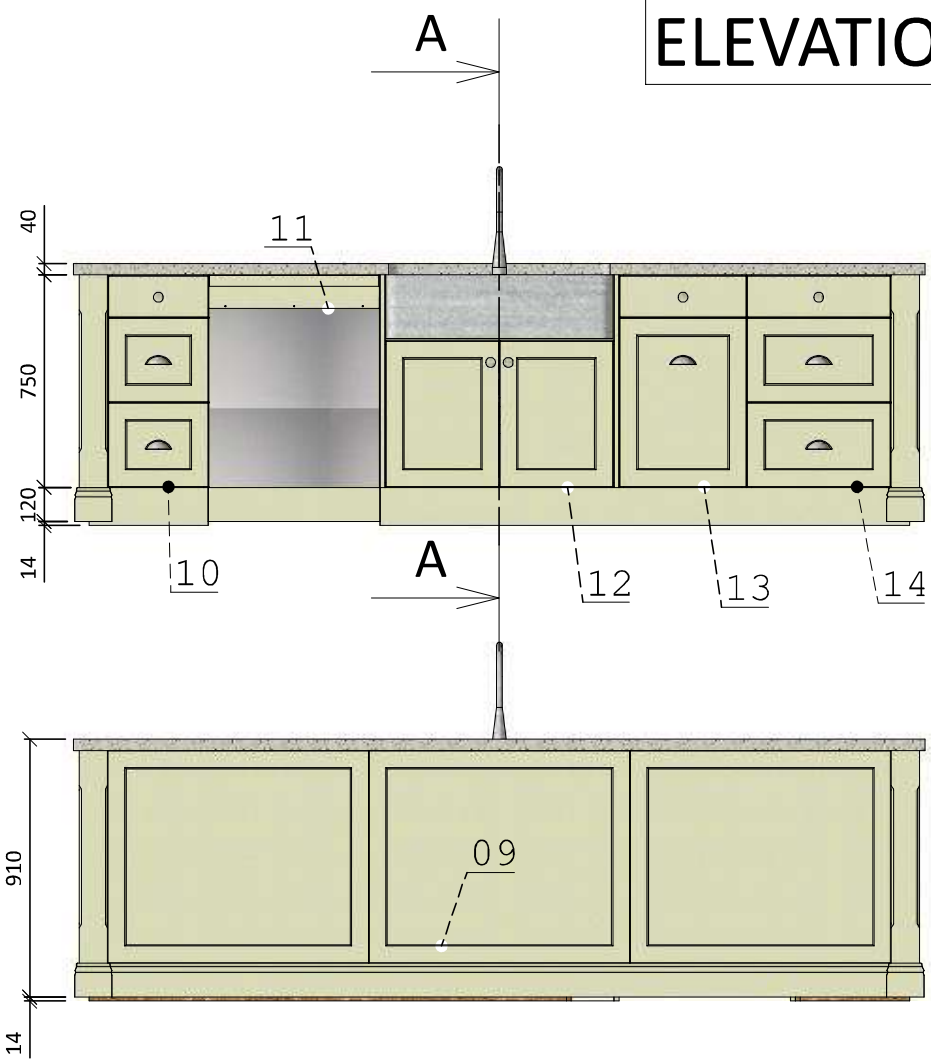
Printed: 13/09/2023

ELEVATION #3



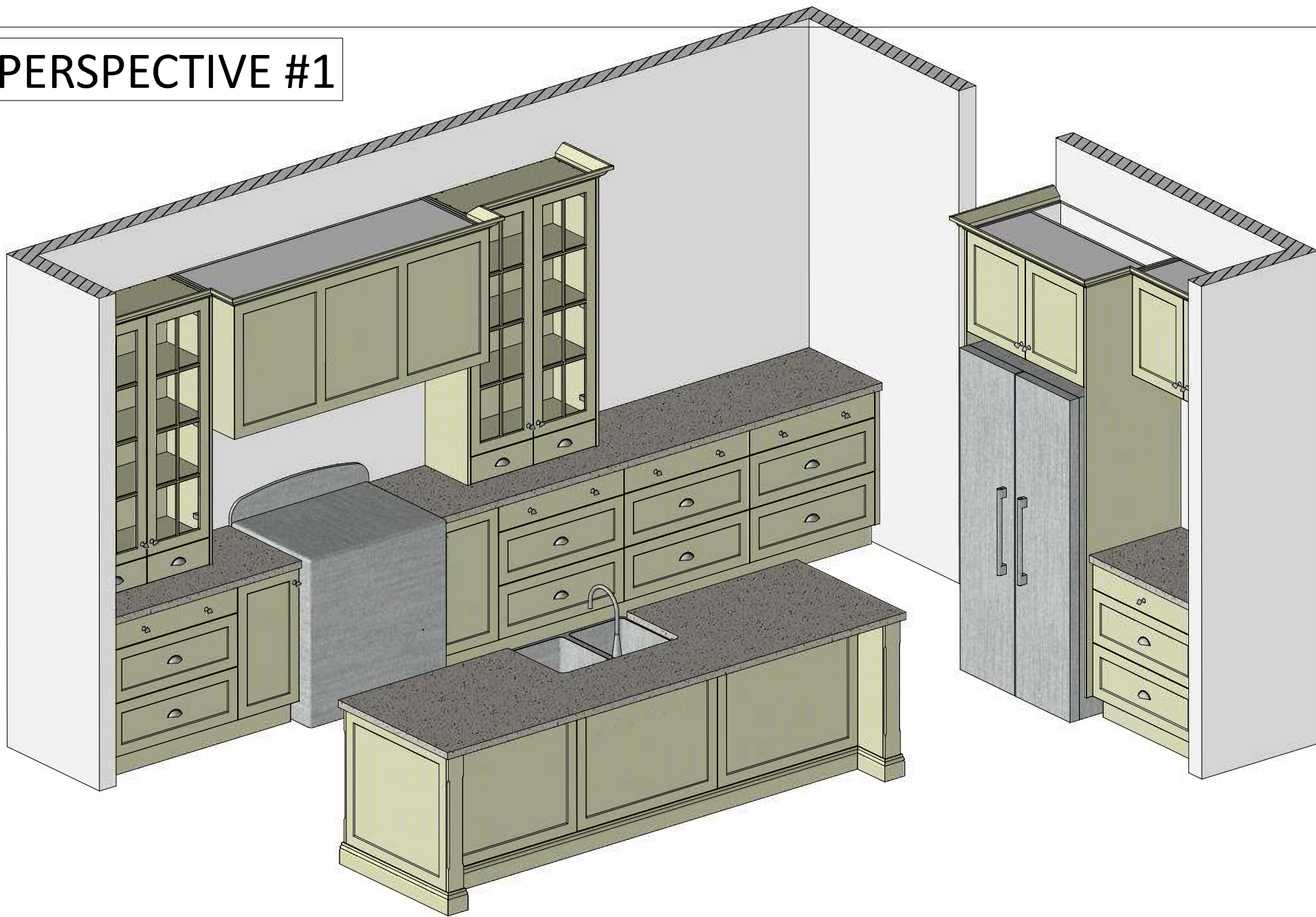
Quote#: 4774	LEWIS Kitchen : LEWIS Kitchen	ELEVATION #3
T:\SystemJoinery\2023-08-03 Q4774 Lewis\4774 LEWIS Kitchen.dft		
See: Michael Lazarou	<i>Lazarou Joinery - Design IP is company property - all rights reserved</i>	Printed: 13/09/2023

ELEVATION #4



Quote#: 4774	LEWIS Kitchen : LEWIS Kitchen	ELEV #1 [ALT.]
T:\SystemJoinery\2023-08-03 Q4774 Lewis\4774 LEWIS Kitchen.dft		
See: Michael Lazarou	Lazarou Joinery - Design IP is company property - all rights reserved	Printed: 13/09/2023

PERSPECTIVE #1



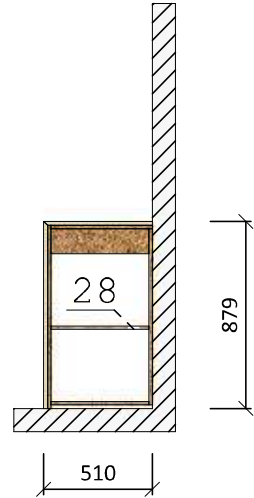
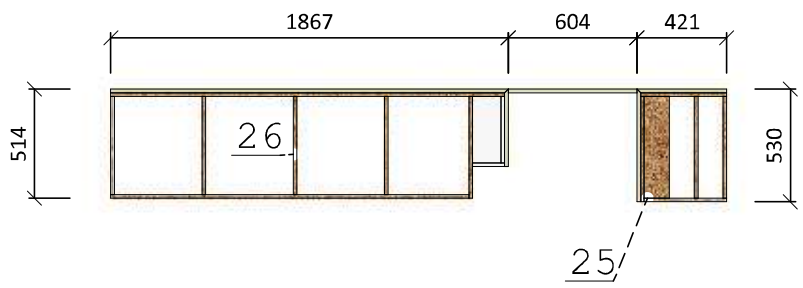
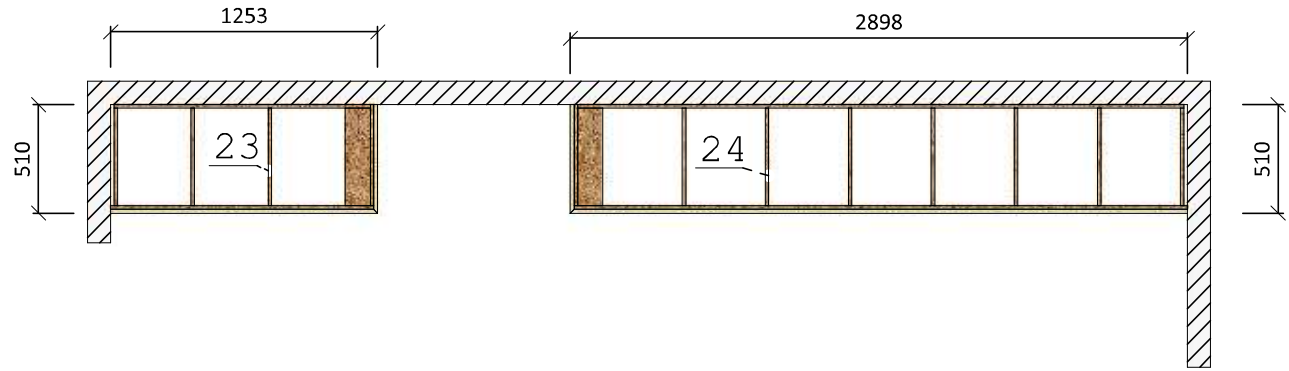
PERSPECTIVE #2



Quote#: 4774	LEWIS Kitchen : LEWIS Kitchen	PERSPECTIVE #2
T:\SystemJoinery\2023-08-03 Q4774 Lewis\4774 LEWIS Kitchen.dft		
See: Michael Lazarou	<i>Lazarou Joinery - Design IP is company property - all rights reserved</i>	Printed: 13/09/2023

HK: 120mm
 HKP: 16mm
 FFD: 14mm

KICKS INSTALL PLAN



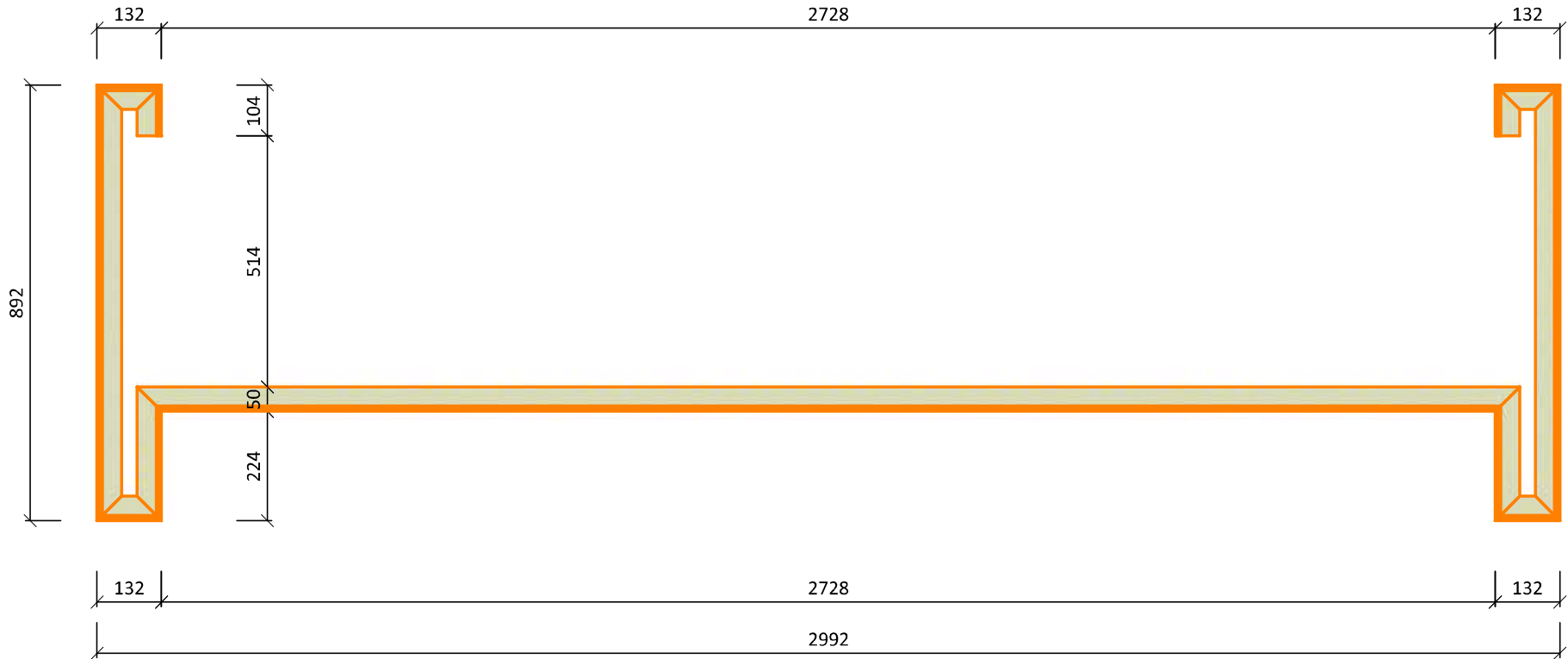
4774 LEWIS KITCHEN Painted Kicks
 - 120mm+14mm Kicker Height
 - 16mm Packing Height

Kick Style : PAINTED
 Colour / Finish : Alabaster / satin
 Floor Covering :
 Existing Footprint? : NO
 Seperate Faces? : HAS SEPERATE FACES

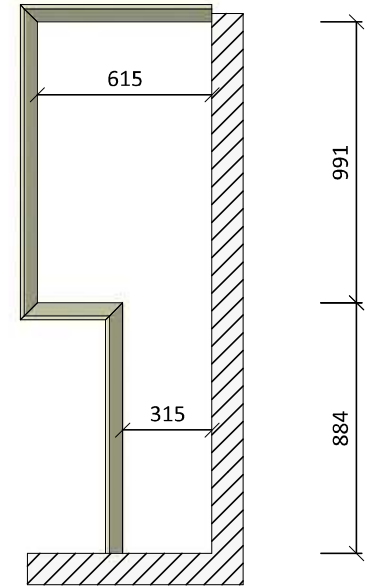
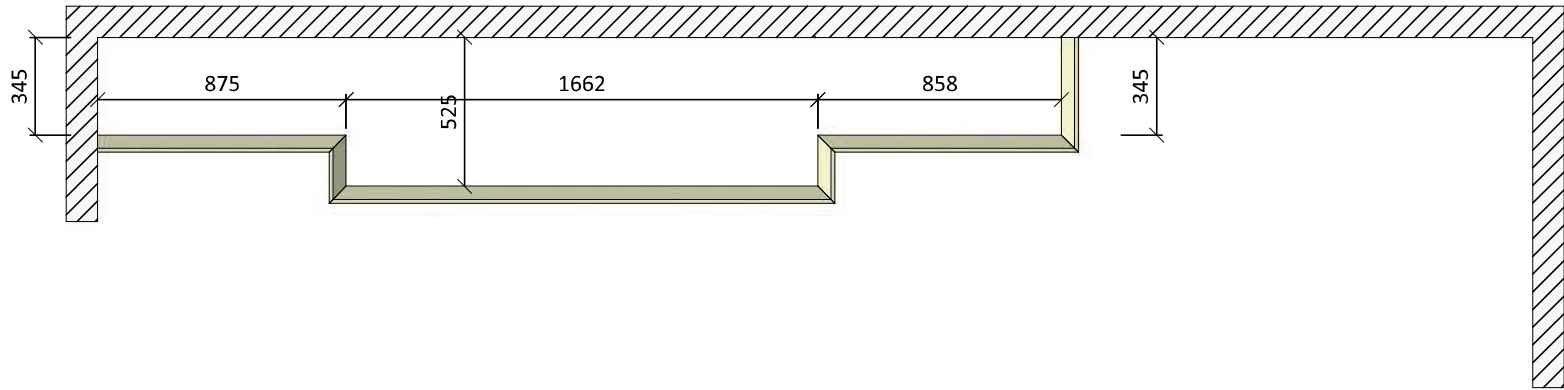
Quote#: 4774	LEWIS Kitchen : LEWIS Kitchen	KICKS INSTALL
T:\SystemJoinery\2023-08-03 Q4774 Lewis\4774 LEWIS Kitchen.dft		
See: Michael Lazarou	Lazarou Joinery - Design IP is company property - all rights reserved	Printed: 13/09/2023

HK: 120mm
HKP: 16mm
FFD: 14mm

KICKS CONSTRUCTION PLAN



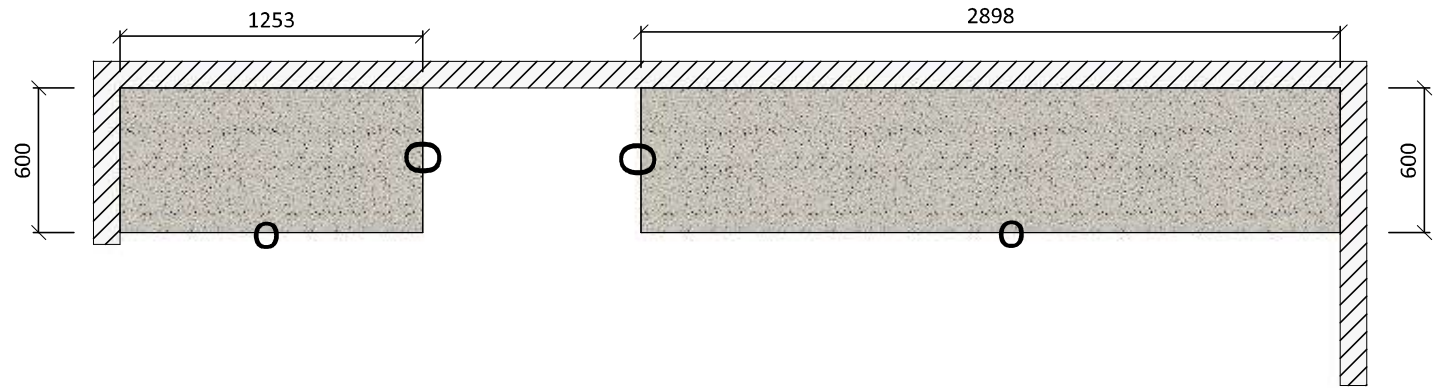
Quote#: 4774	LEWIS Kitchen : LEWIS Kitchen	KICKS BUILD
T:\SystemJoinery\2023-08-03 Q4774 Lewis\4774 LEWIS Kitchen.dft		
See: Michael Lazarou	Lazarou Joinery - Design IP is company property - all rights reserved	Printed: 13/09/2023



Bathurst Capping INSTALL PLAN

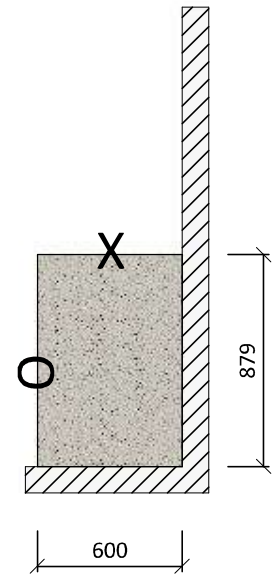
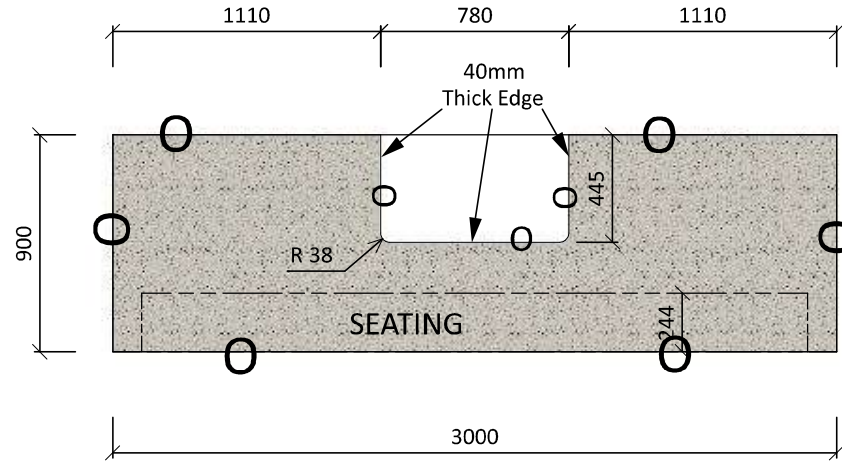
Quote#: 4774	LEWIS Kitchen : LEWIS Kitchen	BULKS INSTALL
T:\SystemJoinery\2023-08-03 Q4774 Lewis\4774 LEWIS Kitchen.dft		
See: Michael Lazarou	<i>Lazarou Joinery - Design IP is company property - all rights reserved</i>	Printed: 13/09/2023

HB: 910mm
 TB: 40mm
 FFD: 14mm



4774 LEWIS KITCHEN Stone Tops
 For Lazarou Joinery. Contact: (02) 6342 2536
 - 40mm thick
 - Bono 'DaVinci Blanco Smartstone'; polished finish
 - 910mm Floor-to-Top Height
 - HAS NO Waterfall Ends
 - 3MM PENCIL ROUND edge profile

O = Polished Edge
 / = Bevelled Edge
 x = raw edge



Butler Sink Cutout Jig
 is supplied (for Bono's)

STONE TOPS ORDER

Quote#: 4774	LEWIS Kitchen : LEWIS Kitchen	STONE TOPS
T:\SystemJoinery\2023-08-03 Q4774 Lewis\4774 LEWIS Kitchen.dft		
See: Michael Lazarou	Lazarou Joinery - Design IP is company property - all rights reserved	Printed: 13/09/2023