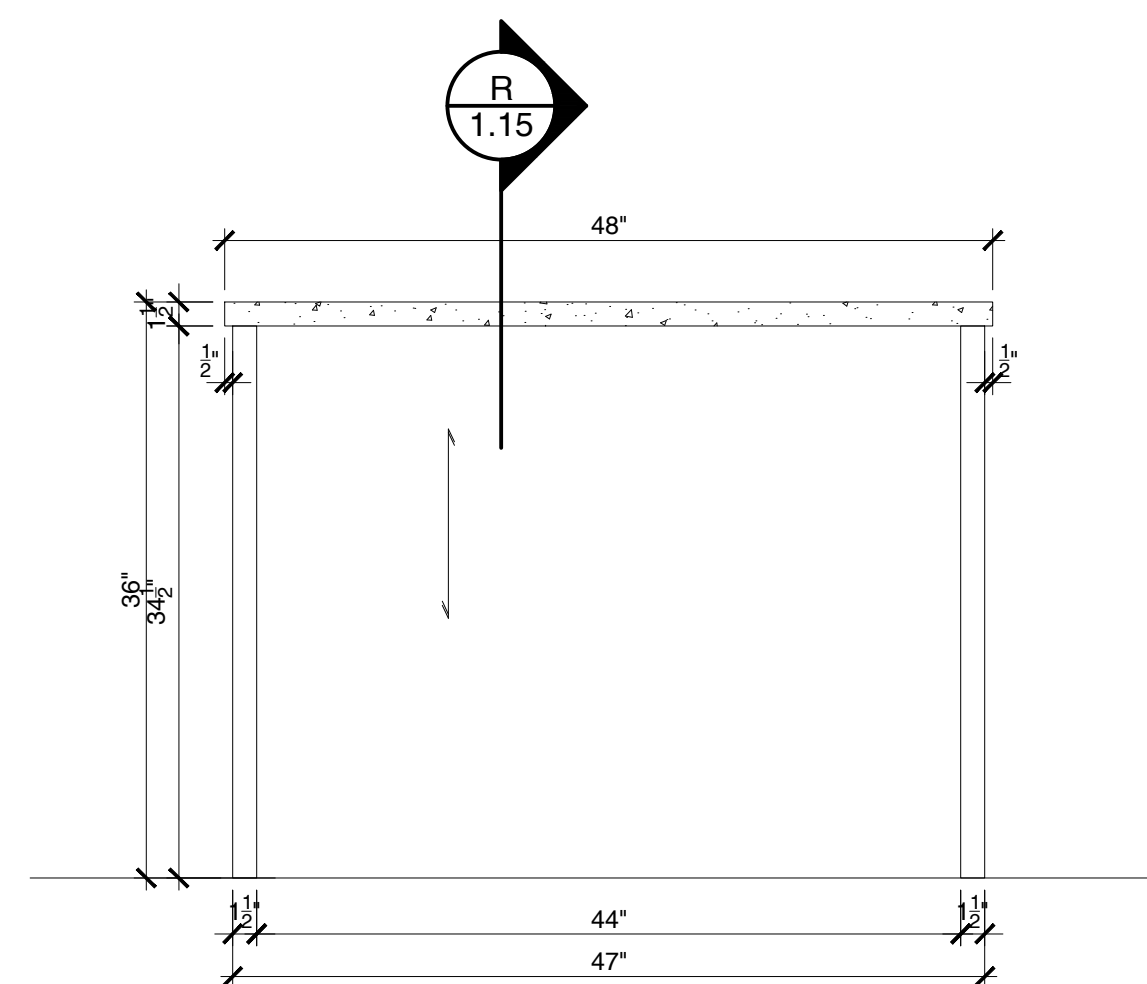
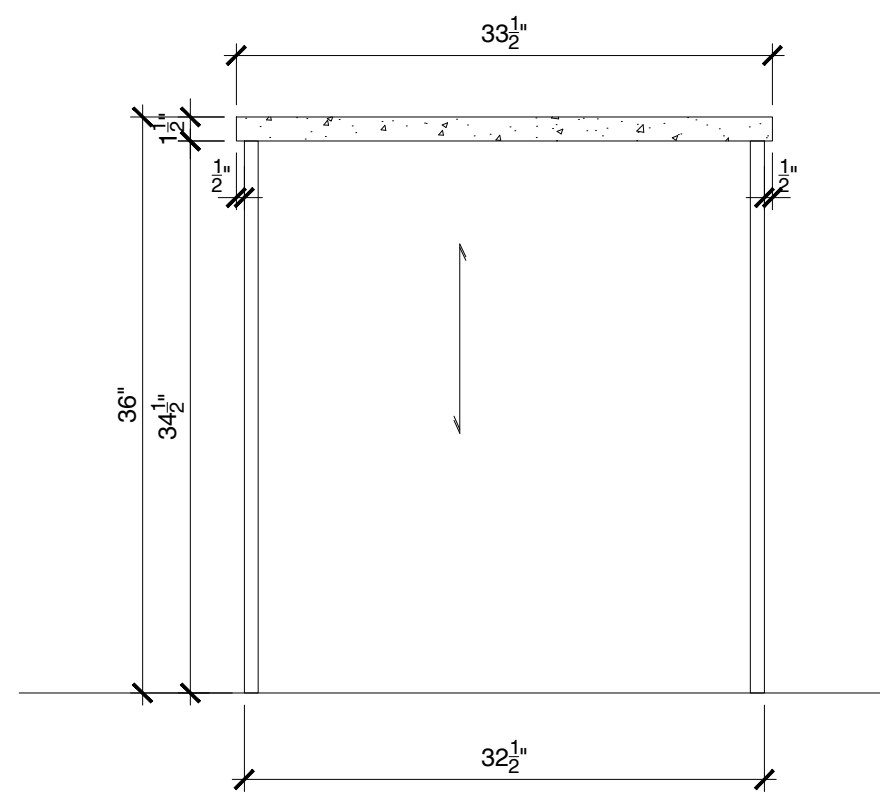


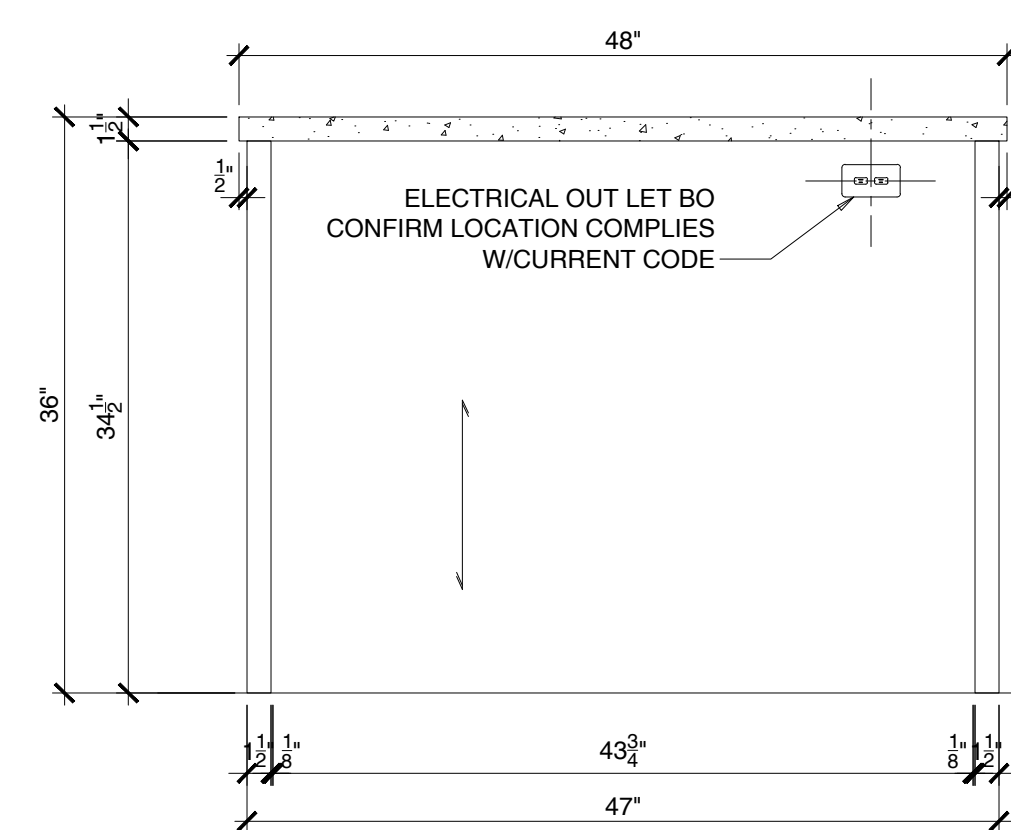
4 ELEVATION
1=1'-0"



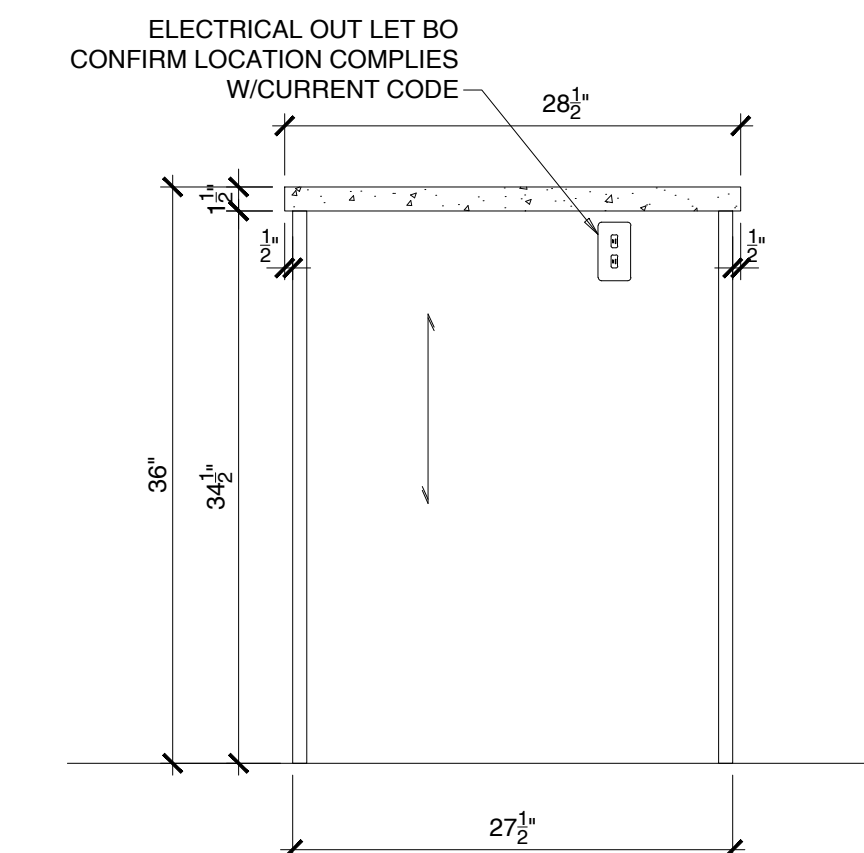
5 ELEVATION
1=1'-0"



6 ELEVATION
1=1'-0"

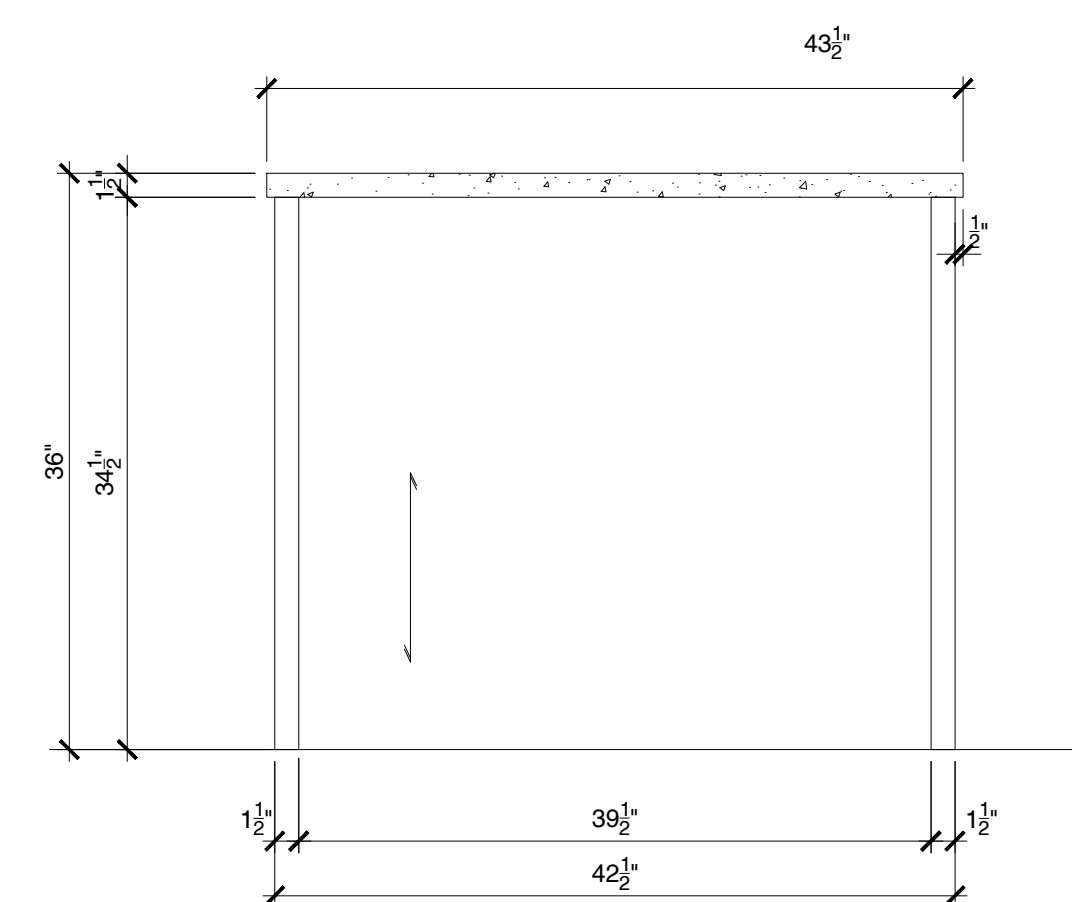


7 ELEVATION
1=1'-0"

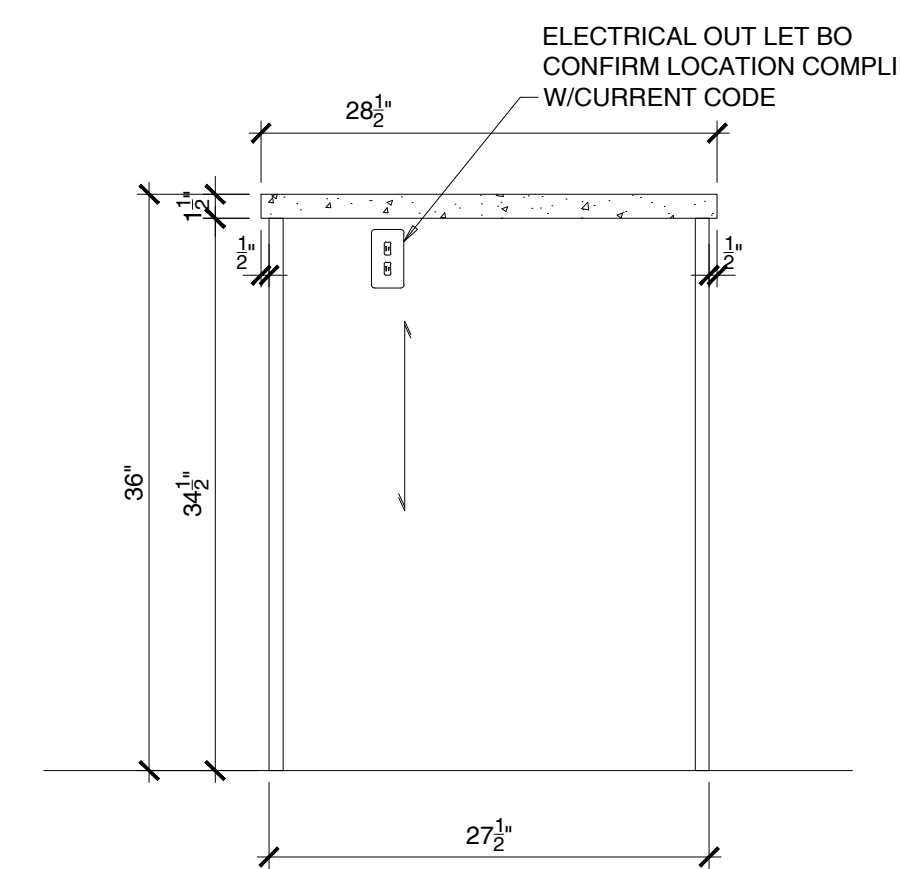


8 ELEVATION
1=1'-0"

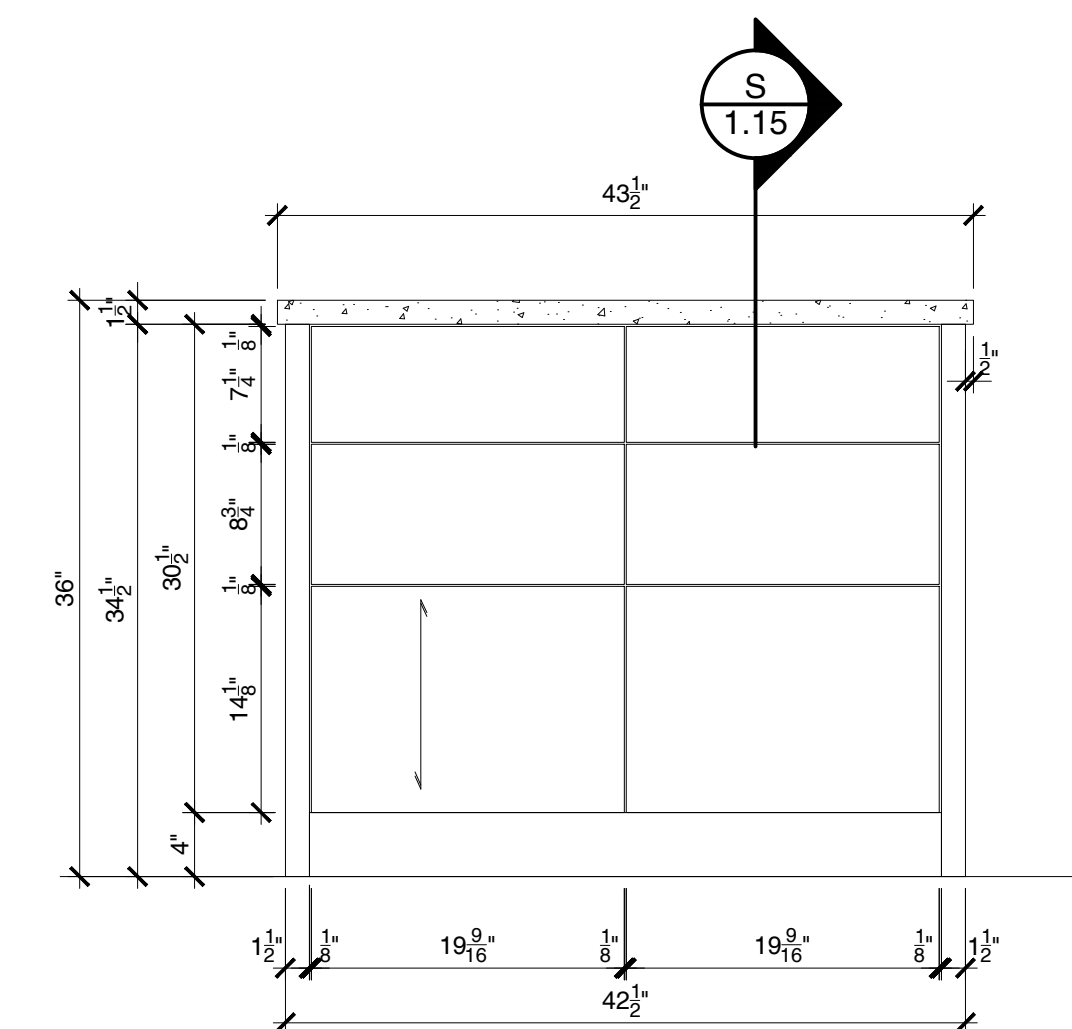
GENERAL NOTES:
GC TO VERIFY ALL LAYOUT DIMENSIONS
AND SQUARENESS OF WALLS



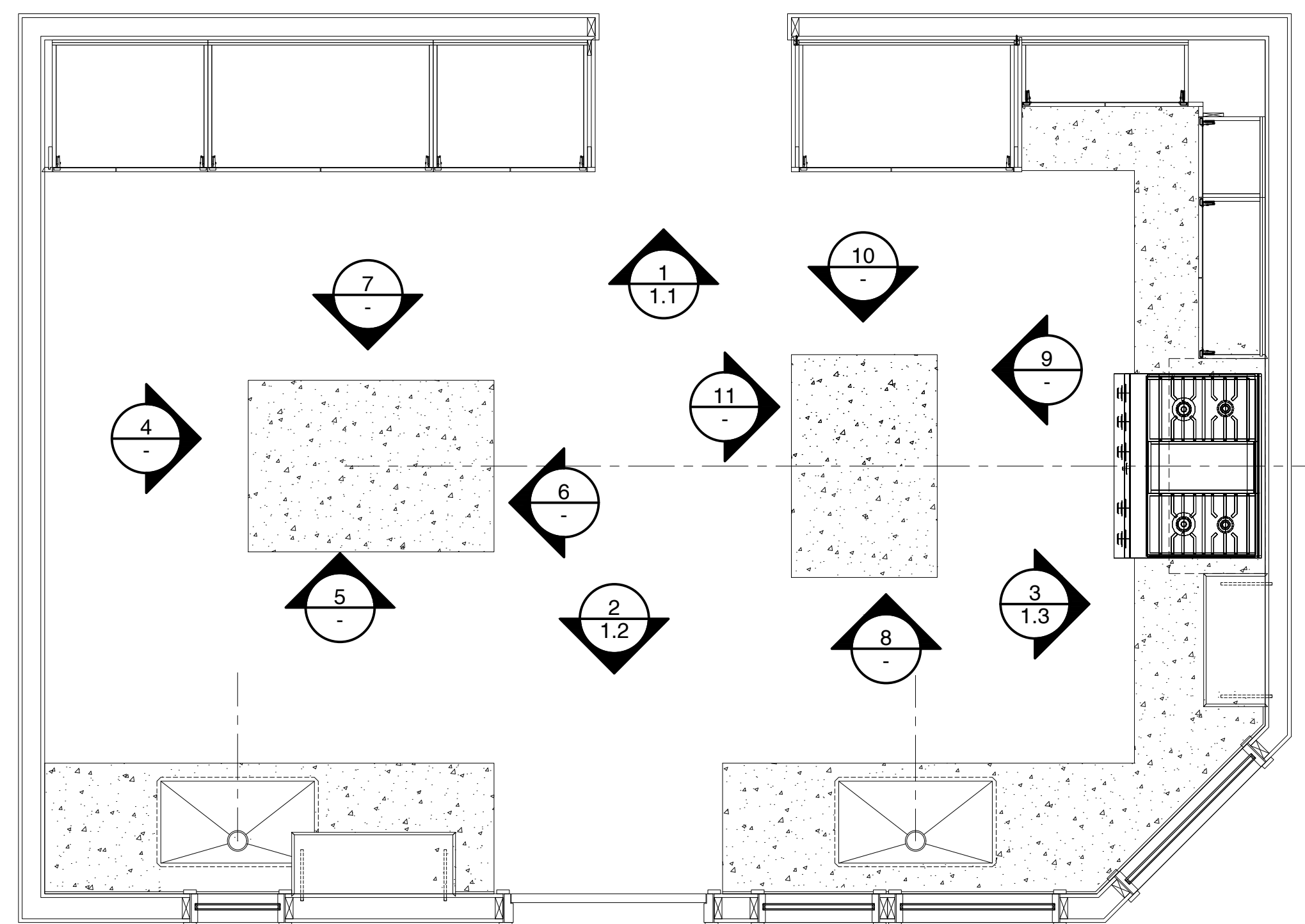
9 ELEVATION
1=1'-0"



10 ELEVATION
1=1'-0"



11 ELEVATION
1=1'-0"



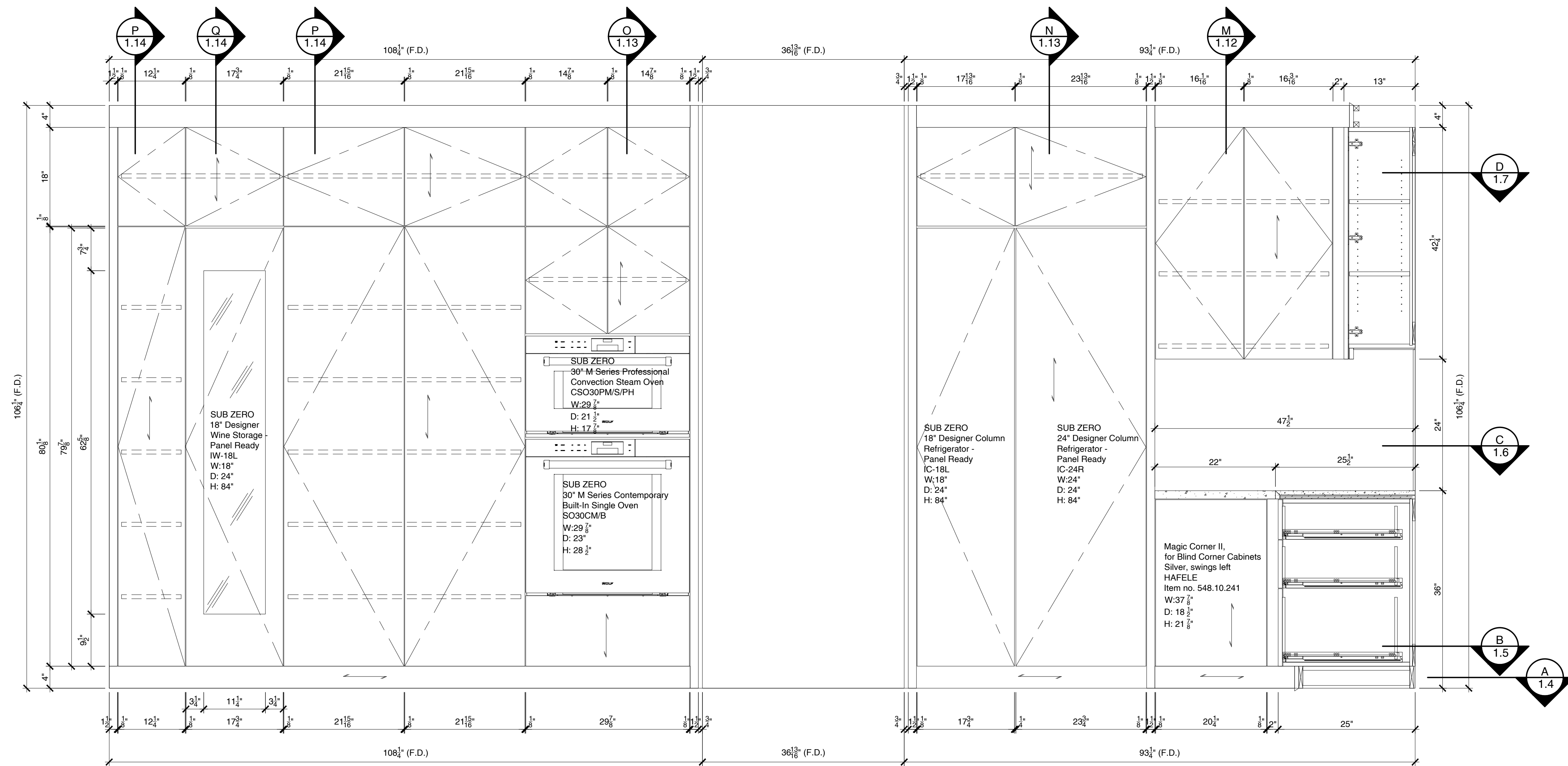
1 PLAN KEY
1/2"=1'-0"

ALL FIELD DIMENSIONS TO BE FIELD VERIFY PRIOR TO BE FABRICATED

MATERIALS: - INTERIORS: PRE-FINISH MAPLE
- EXTERIORS:
TBD

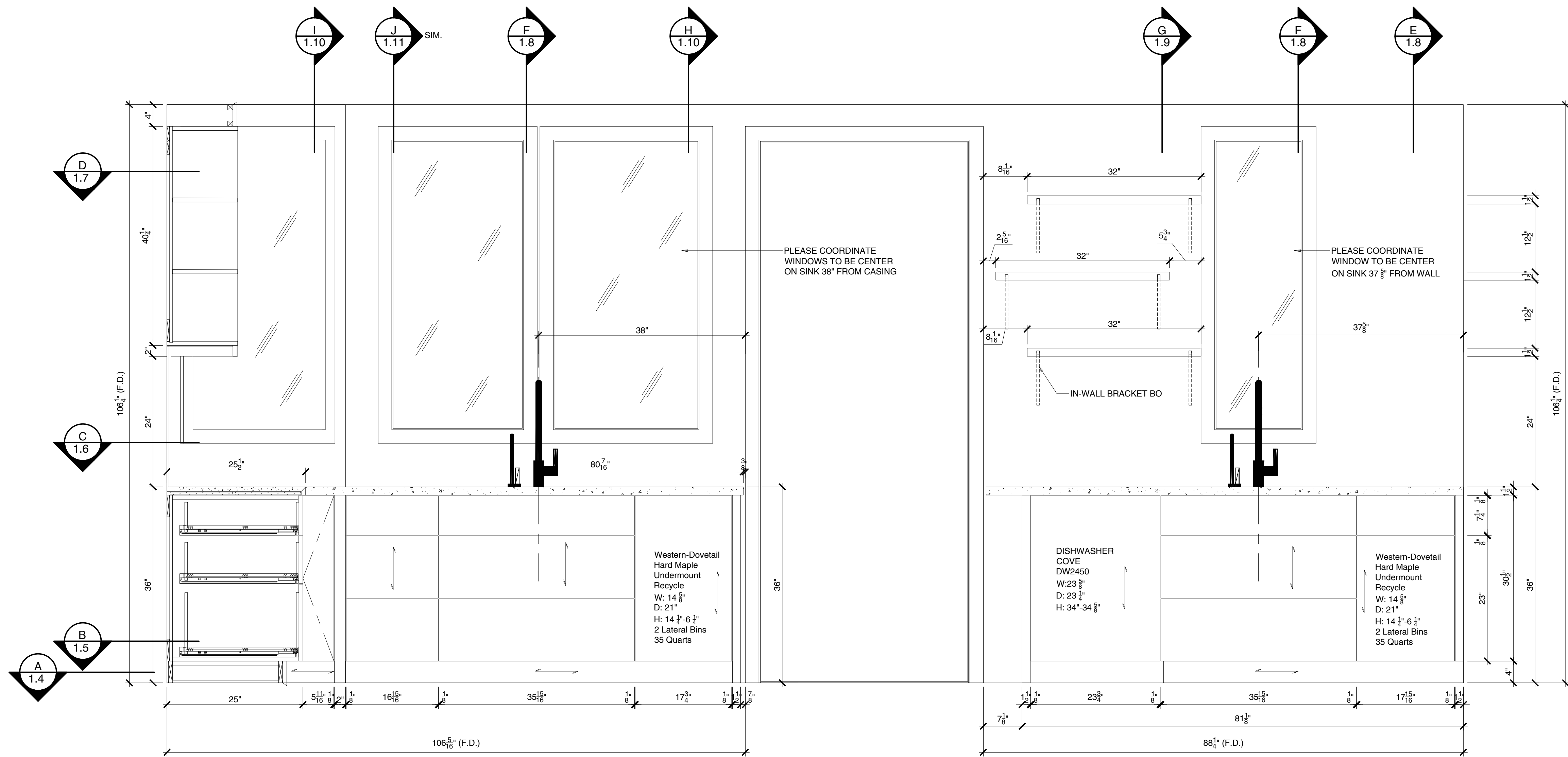
HARDWARE: - DRAWER SLIDES: BLUM TANDEM "SOFT CLOSE"
- HINGES: BLUM INSERTA 110 DEGREE OPENING
- MAGIC CORNER II, FOR BLIND CORNER CABINETS SILVER, SWINGS LEFT HAFELE ITEM NO. 548.10.241

REVISIONS:
R1:4/7/2020
R2:4/21/2020
R3:5/8/2020
TO SHOP:
JOB NO: 0007
DRAWN BY: HZ
DATE: 02/05/2020
SCALE: AS NOTED
SHEET NO.



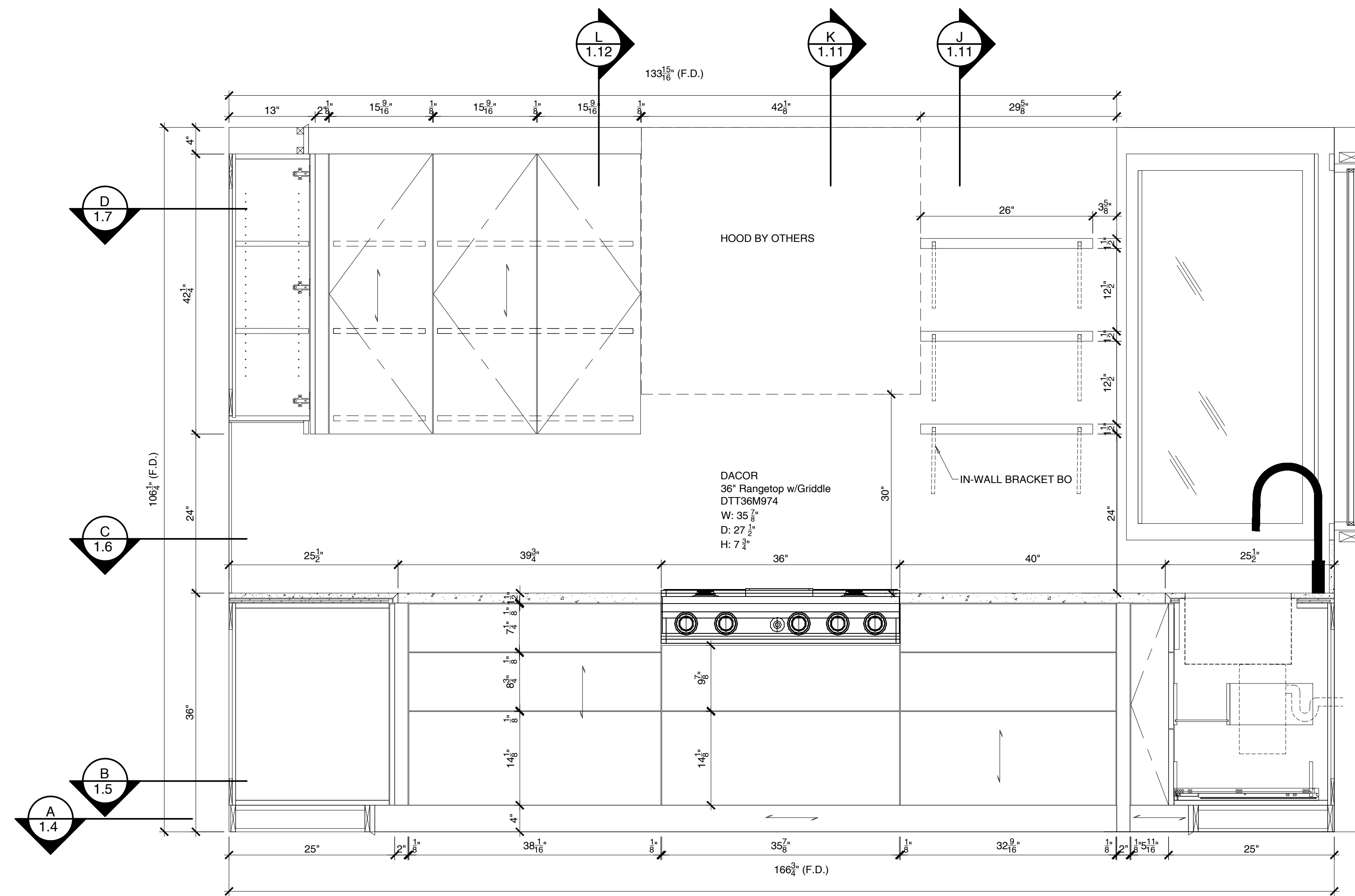
1 ELEVATION
1=1'-0"

REVISIONS:
R1:4/7/2020
R2:4/21/2020
R3:5/8/2020
TO SHOP:
JOB NO: 0007
DRAWN BY: HZ
DATE: 02/05/2020
SCALE: AS NOTED
SHEET NO.



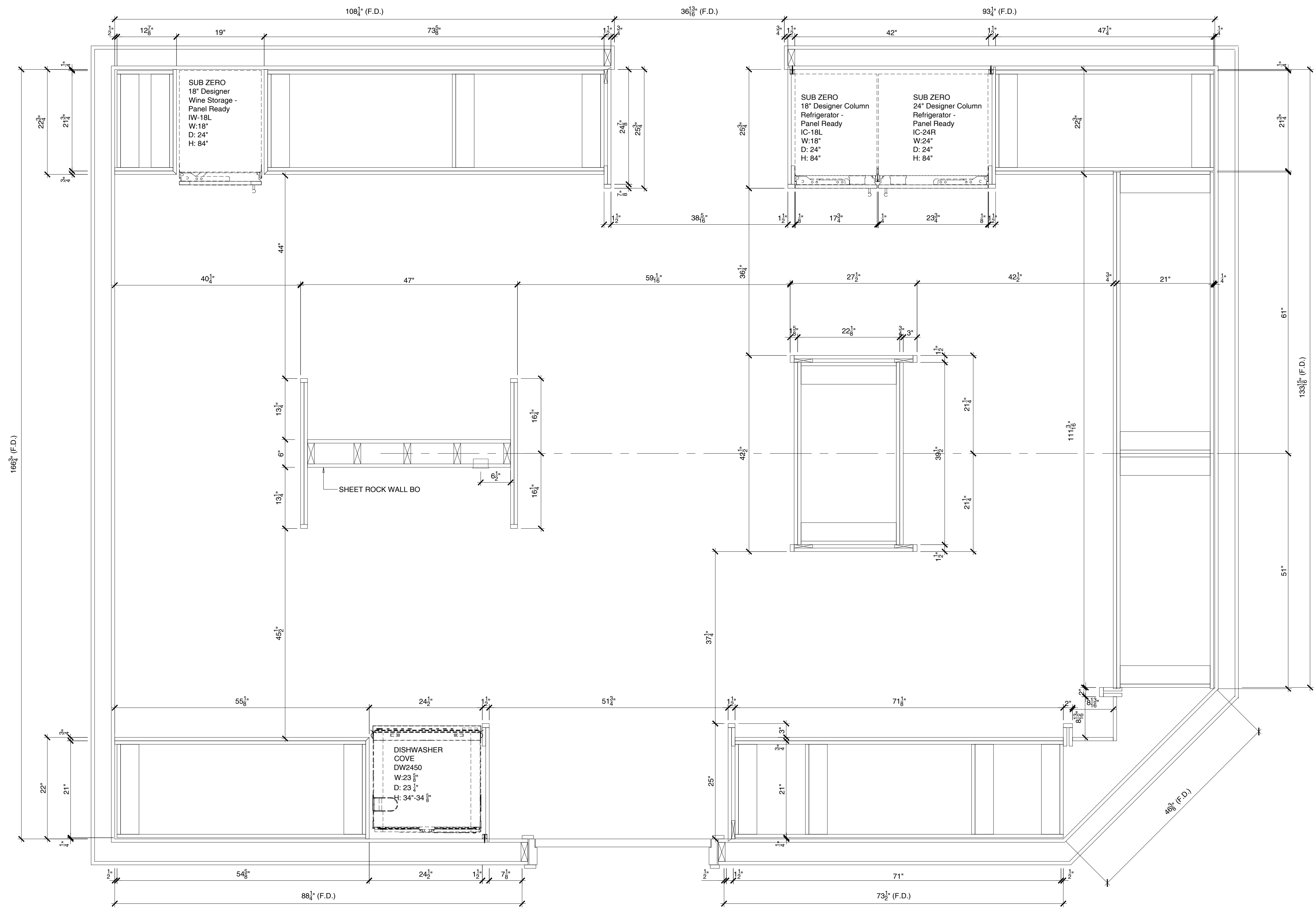
2 ELEVATION
1=1'-0"

REVISIONS:
R1:4/7/2020
R2:4/21/2020
R3:5/8/2020
TO SHOP:
JOB NO:
0007
DRAWN BY:
HZ
DATE:
02/05/2020
SCALE:
AS NOTED
SHEET NO.



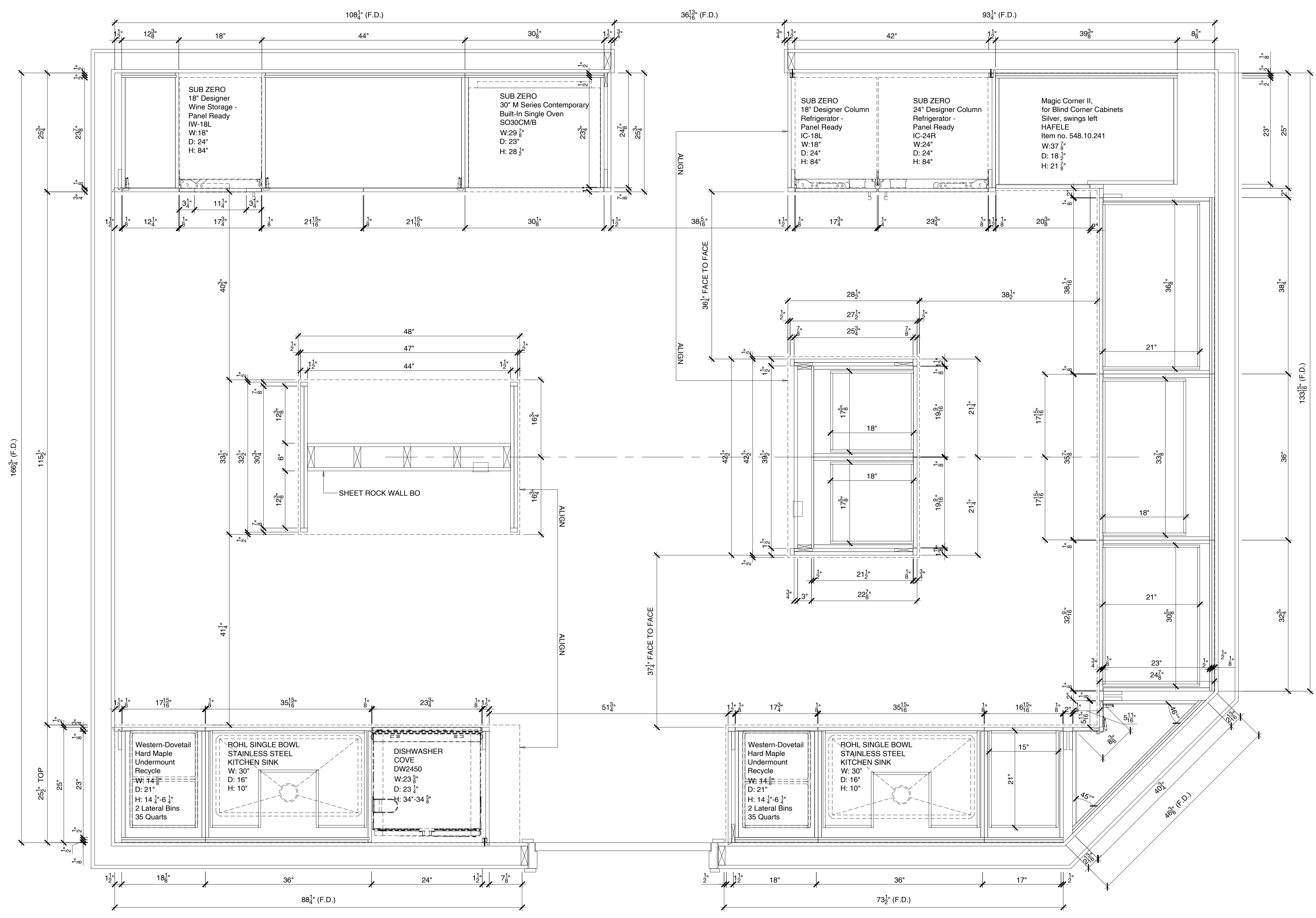
3 ELEVATION
1=1'-0"

REVISIONS:
R1:4/7/2020
R2:4/21/2020
R3:5/8/2020
TO SHOP:
JOB NO: 0007
DRAWN BY: HZ
DATE: 02/05/2020
SCALE: AS NOTED
SHEET NO.



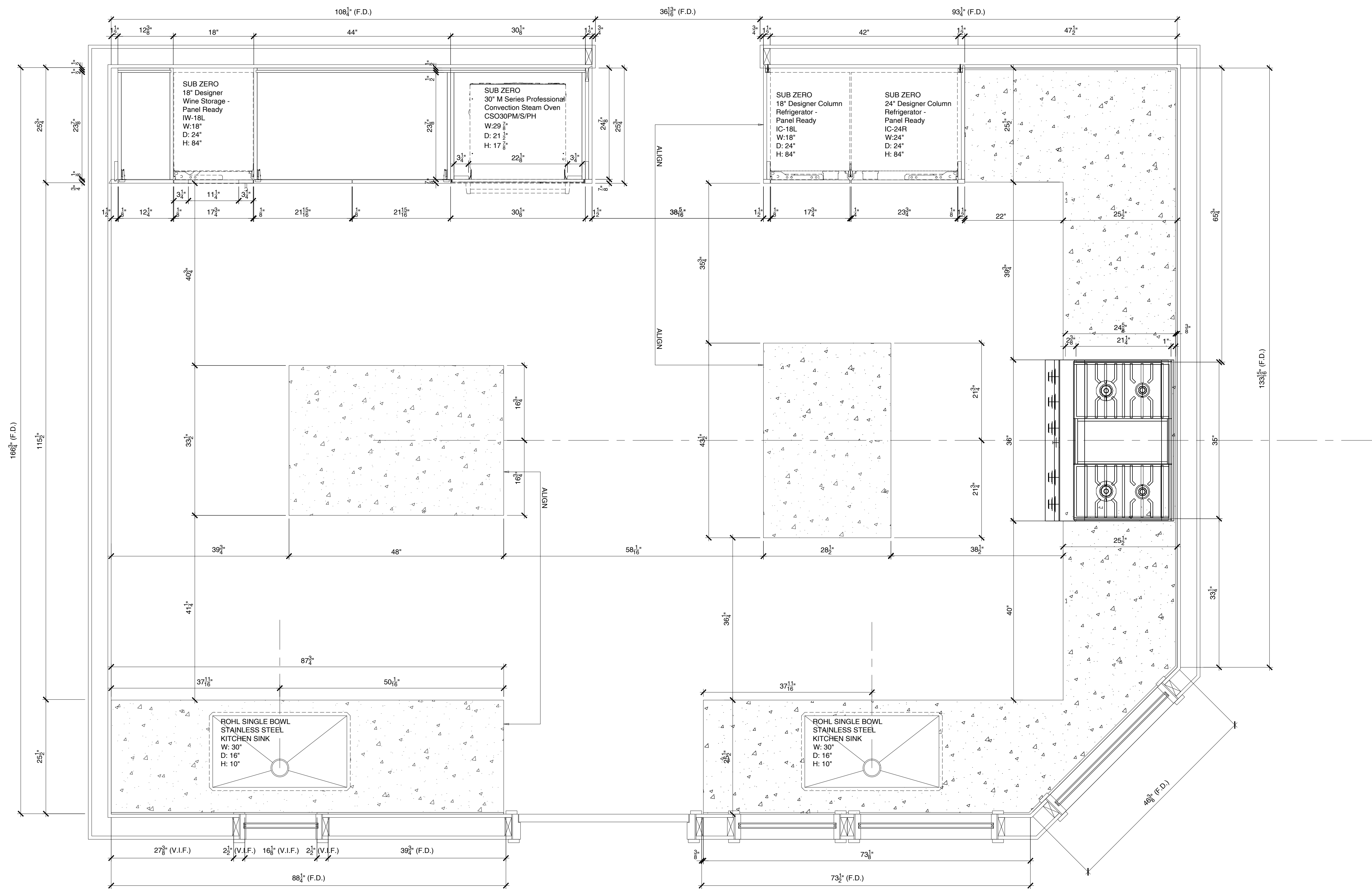
A PLAN SECTION THRU TOE KICK
1=1'-0"

REVISIONS:
R1:4/7/2020
R2:4/21/2020
R3:5/8/2020
TO SHOP:
JOB NO:
0007
DRAWN BY:
HZ
DATE:
02/05/2020
SCALE:
AS NOTED
SHEET NO.



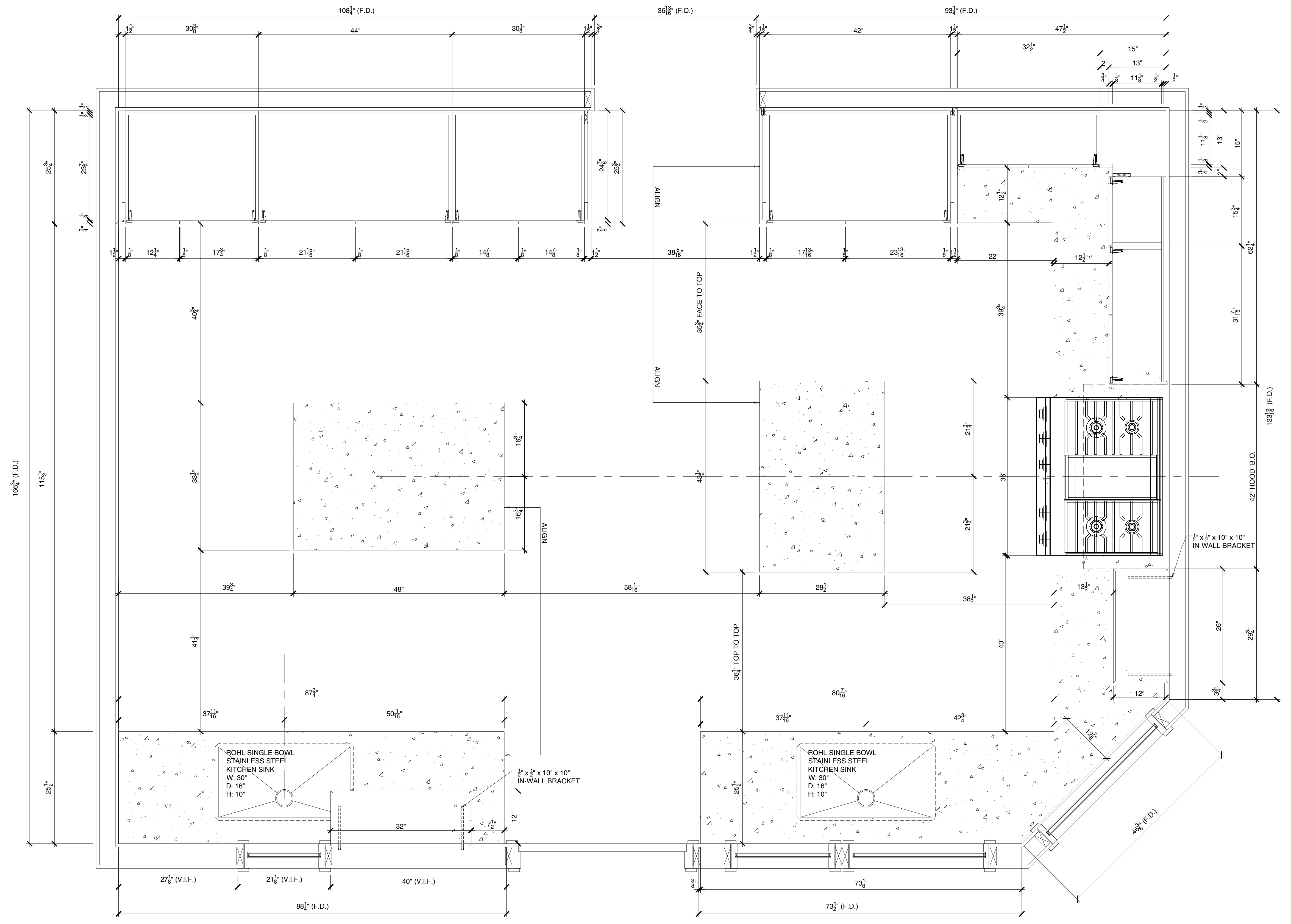
B PLAN SECTION THRU LOWERS
1=1'-0"

REVISIONS:
R1:4/7/2020
R2:4/21/2020
R3:5/8/2020
TO SHOP:
JOB NO: 0007
DRAWN BY: HZ
DATE: 02/05/2020
SCALE: AS NOTED
SHEET NO.



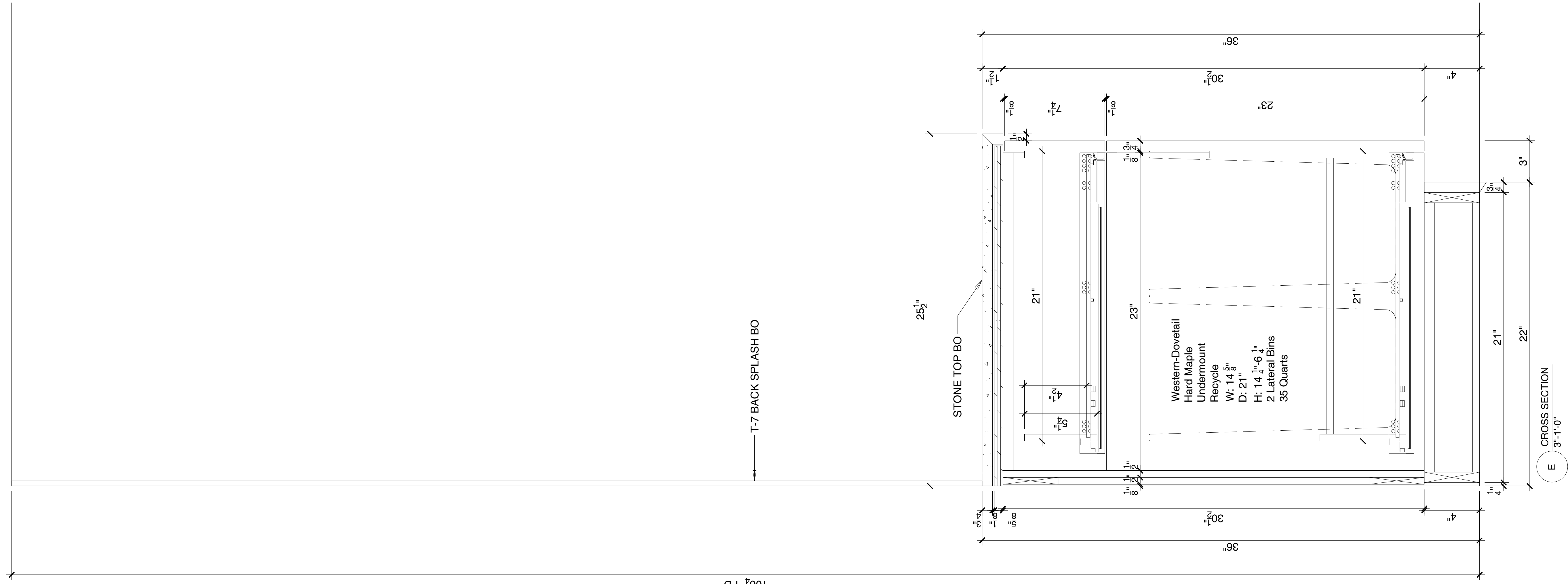
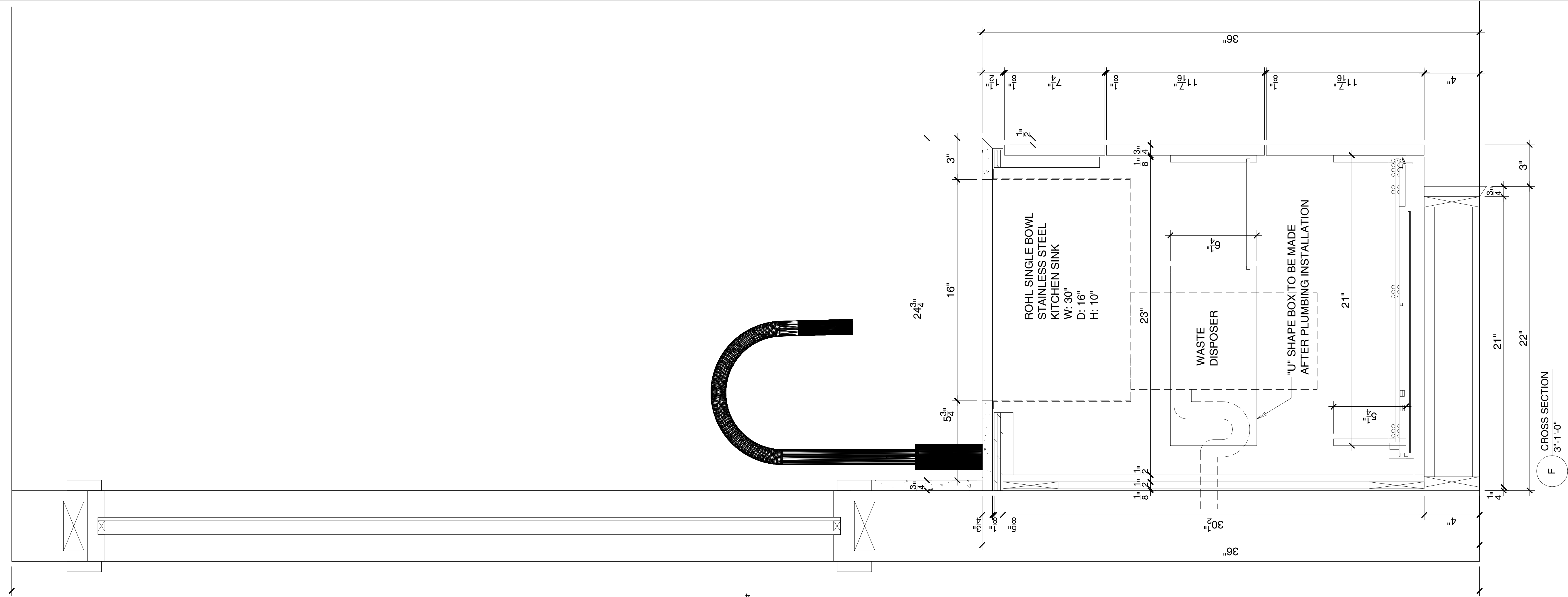
C PLAN SECTION THRU BACK SPLASH
1=1'-0"

REVISIONS:
R1:4/7/2020
R2:4/21/2020
R3:5/8/2020
TO SHOP:
JOB NO: 0007
DRAWN BY: HZ
DATE: 02/05/2020
SCALE: AS NOTED
SHEET NO.

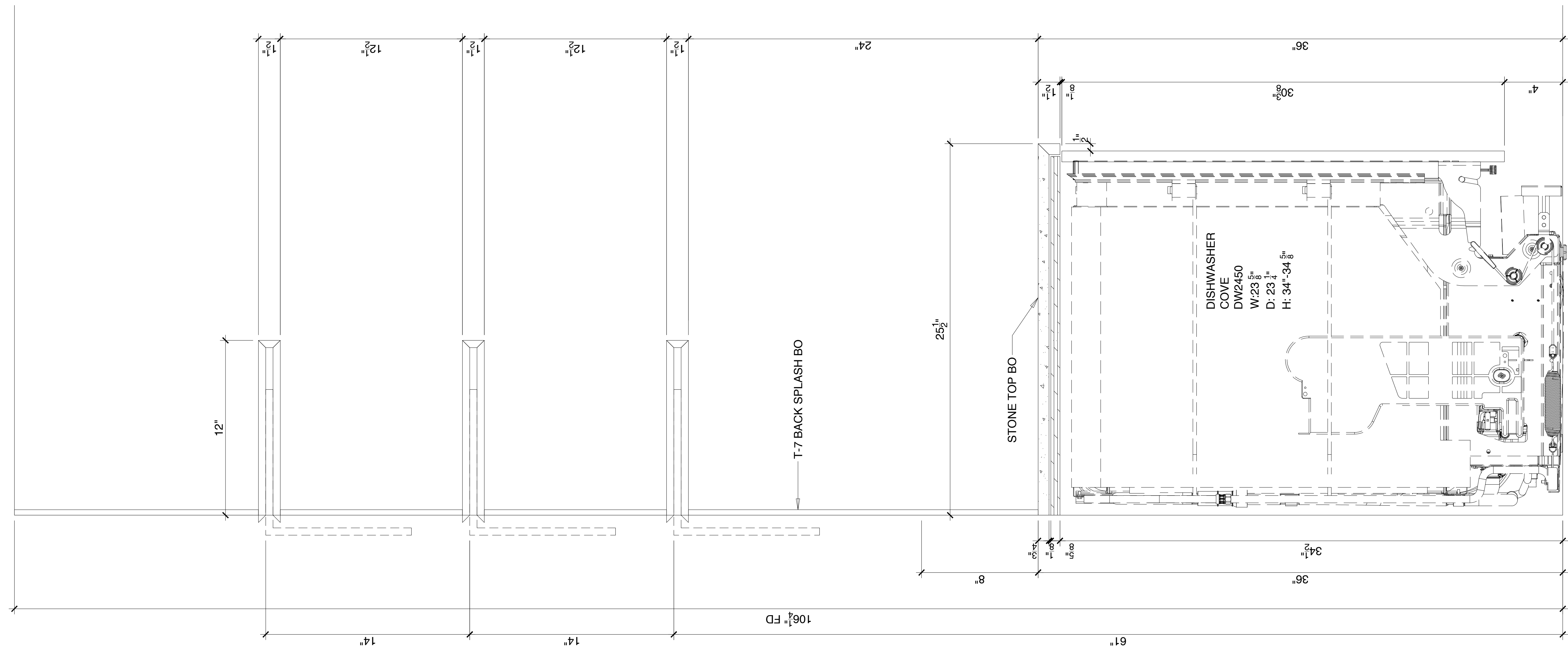


D PLAN SECTION THRU UPPERS
1=1'-0"

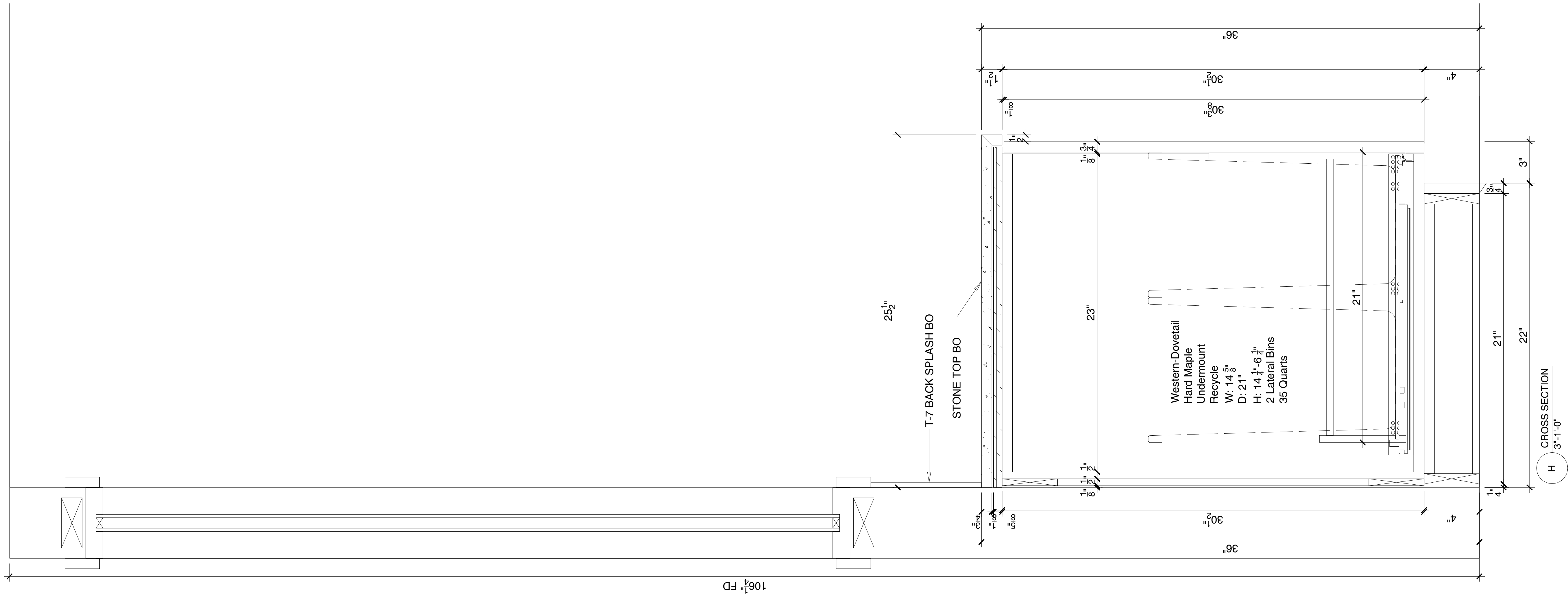
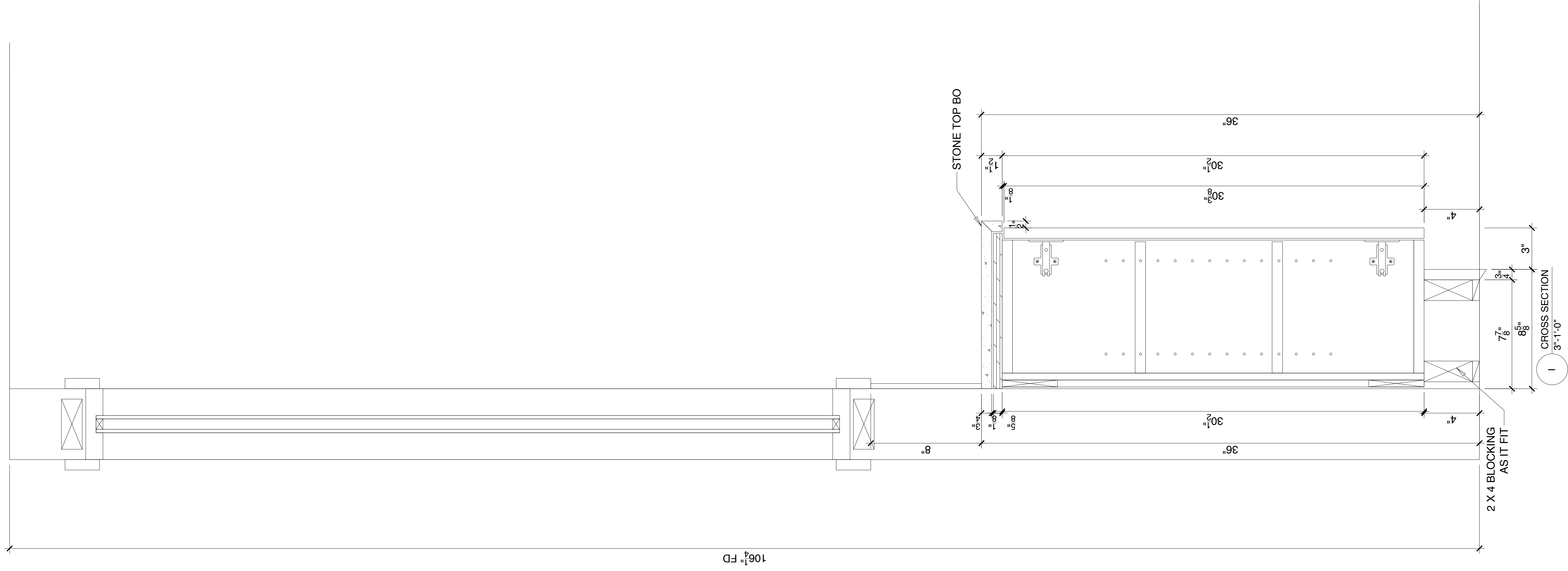
REVISIONS:
R1:4/7/2020
R2:4/21/2020
R3:5/8/2020
TO SHOP:
JOB NO: 0007
DRAWN BY: HZ
DATE: 02/05/2020
SCALE: AS NOTED
SHEET NO.



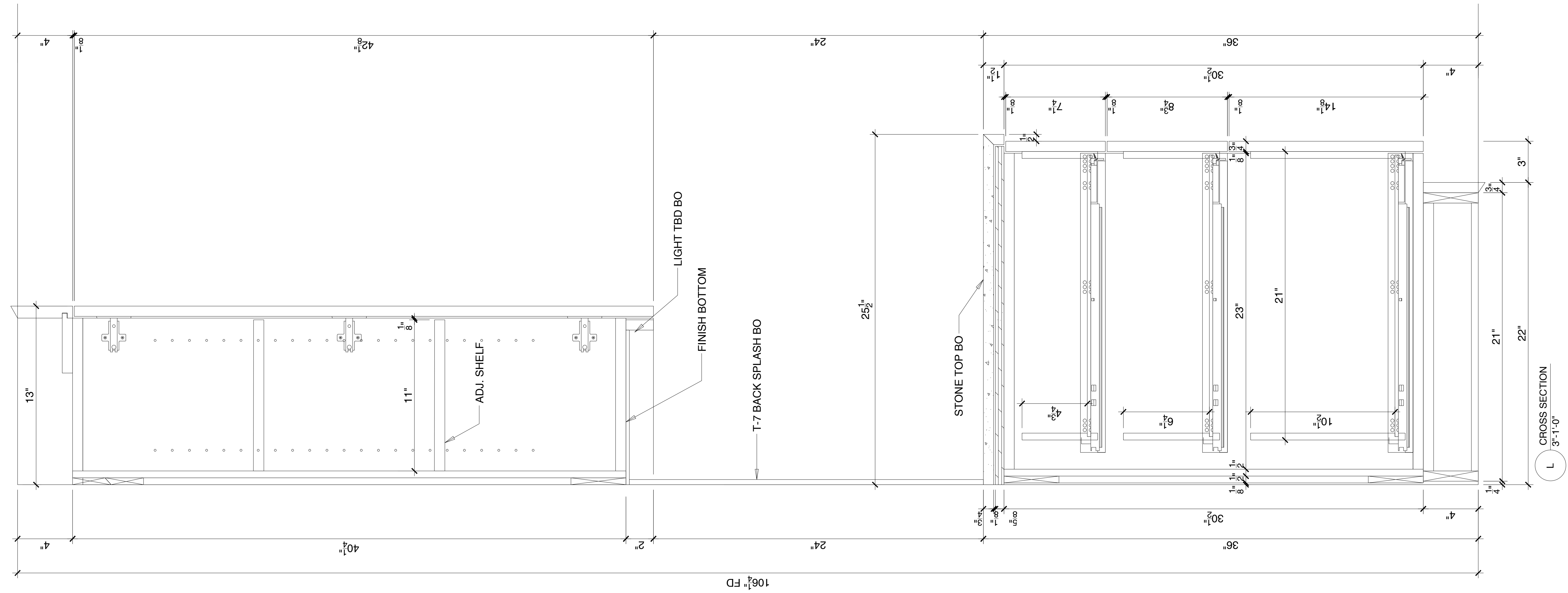
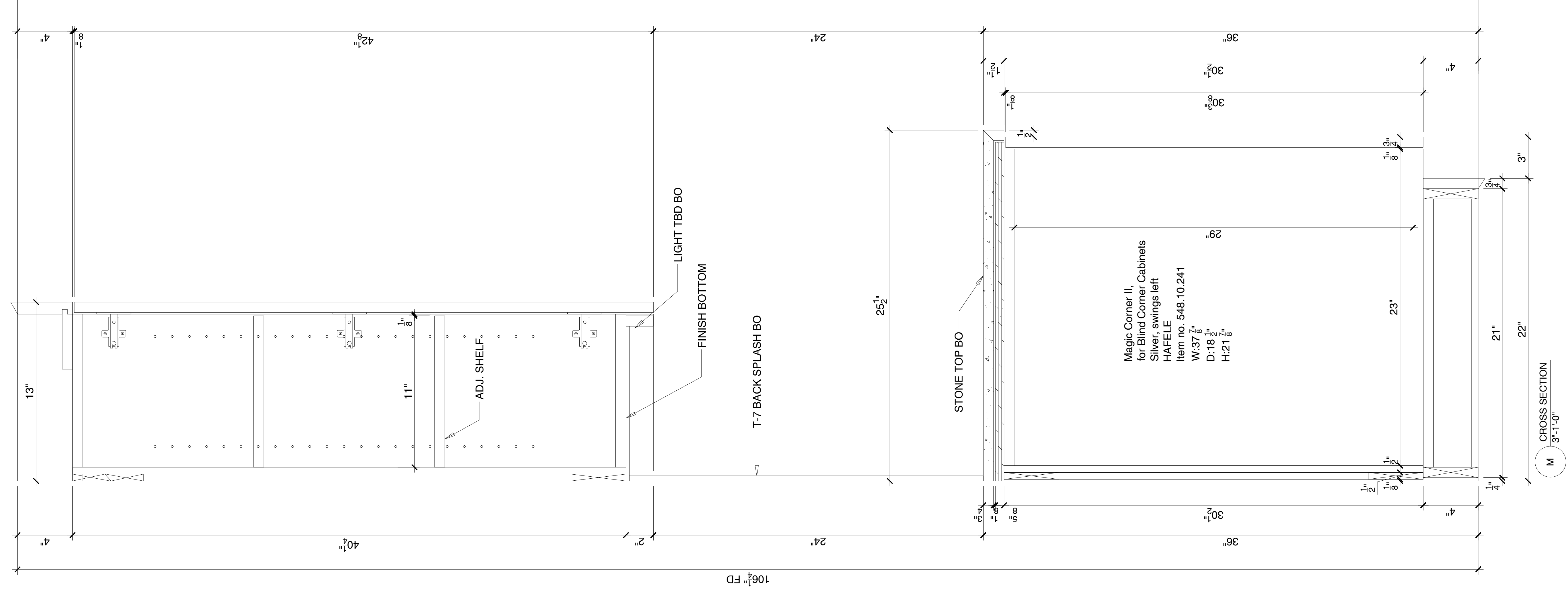
REVISIONS:
R1:4/7/2020
R2:4/21/2020
R3:5/8/2020
TO SHOP:
JOB NO: 0007
DRAWN BY: HZ
DATE: 02/05/2020
SCALE: AS NOTED
SHEET NO.



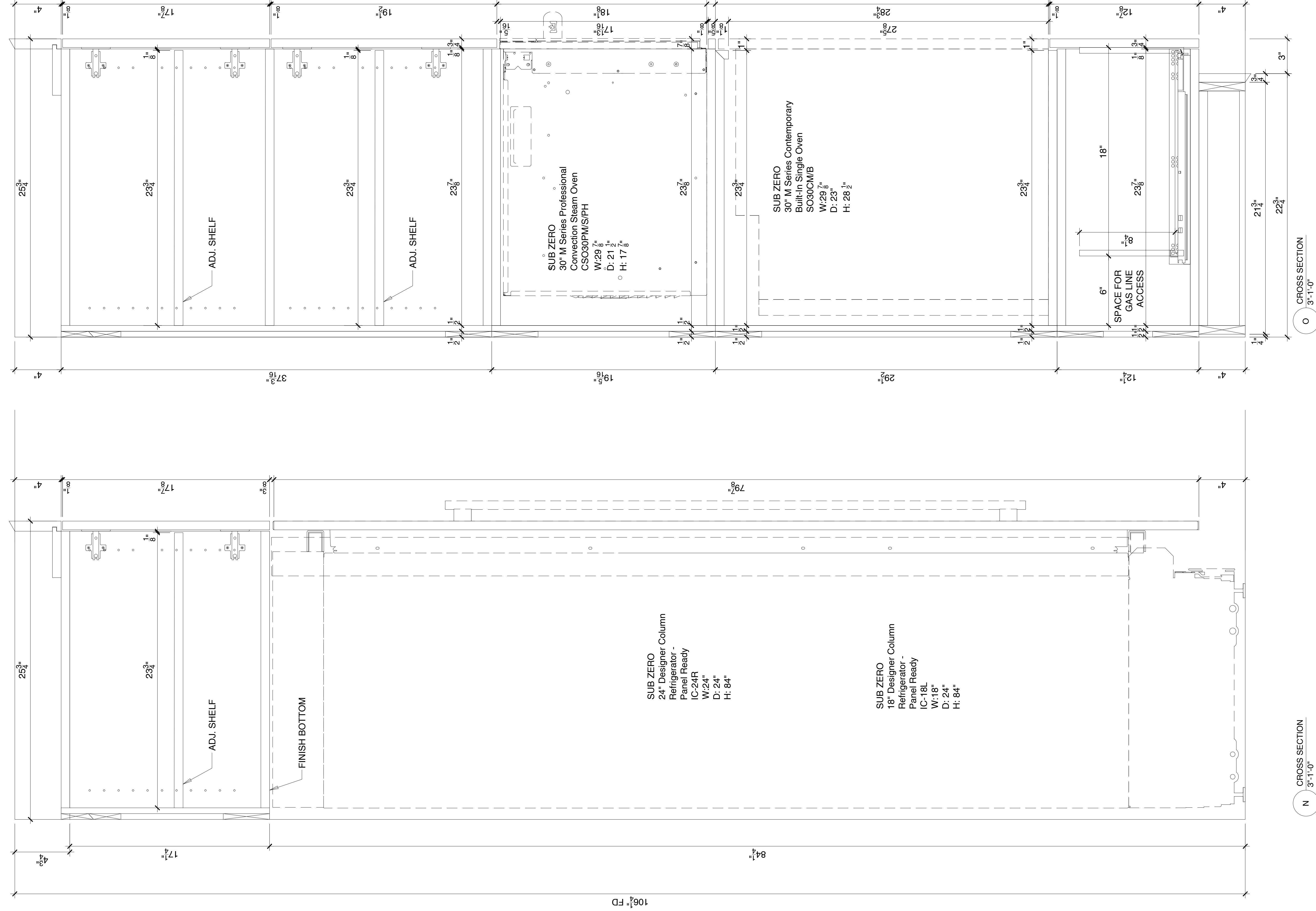
REVISIONS:
R1: 4/7/2020
R2: 4/21/2020
R3: 5/8/2020
TO SHOP:
JOB NO: 0007
DRAWN BY: HZ
DATE: 02/05/2020
SCALE: AS NOTED
SHEET NO.



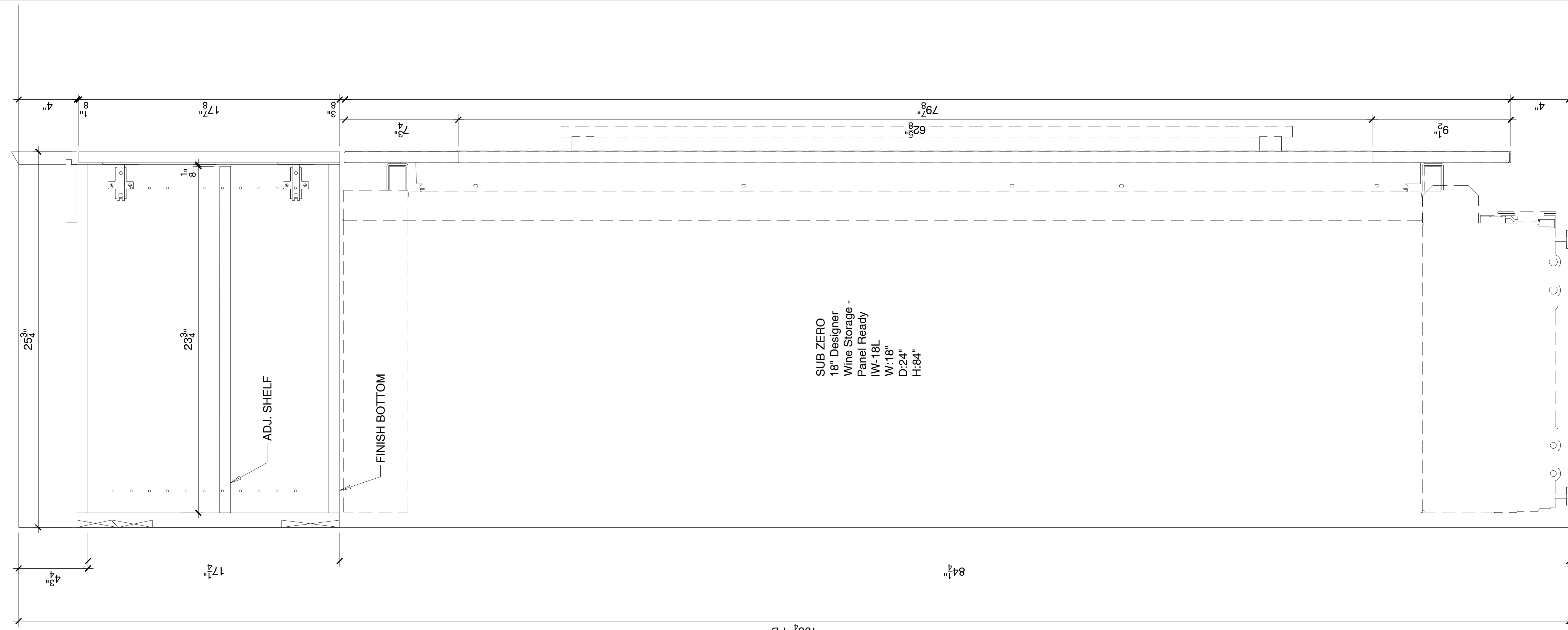
REVISIONS:
R1:4/7/2020
R2:4/21/2020
R3:5/8/2020
TO SHOP:
JOB NO: 0007
DRAWN BY: HZ
DATE: 02/05/2020
SCALE: AS NOTED
SHEET NO.



REVISIONS:
R1:4/7/2020
R2:4/21/2020
R3:5/8/2020
TO SHOP:
JOB NO: 0007
DRAWN BY: HZ
DATE: 02/20/2020
SCALE: AS NOTED
SHEET NO.

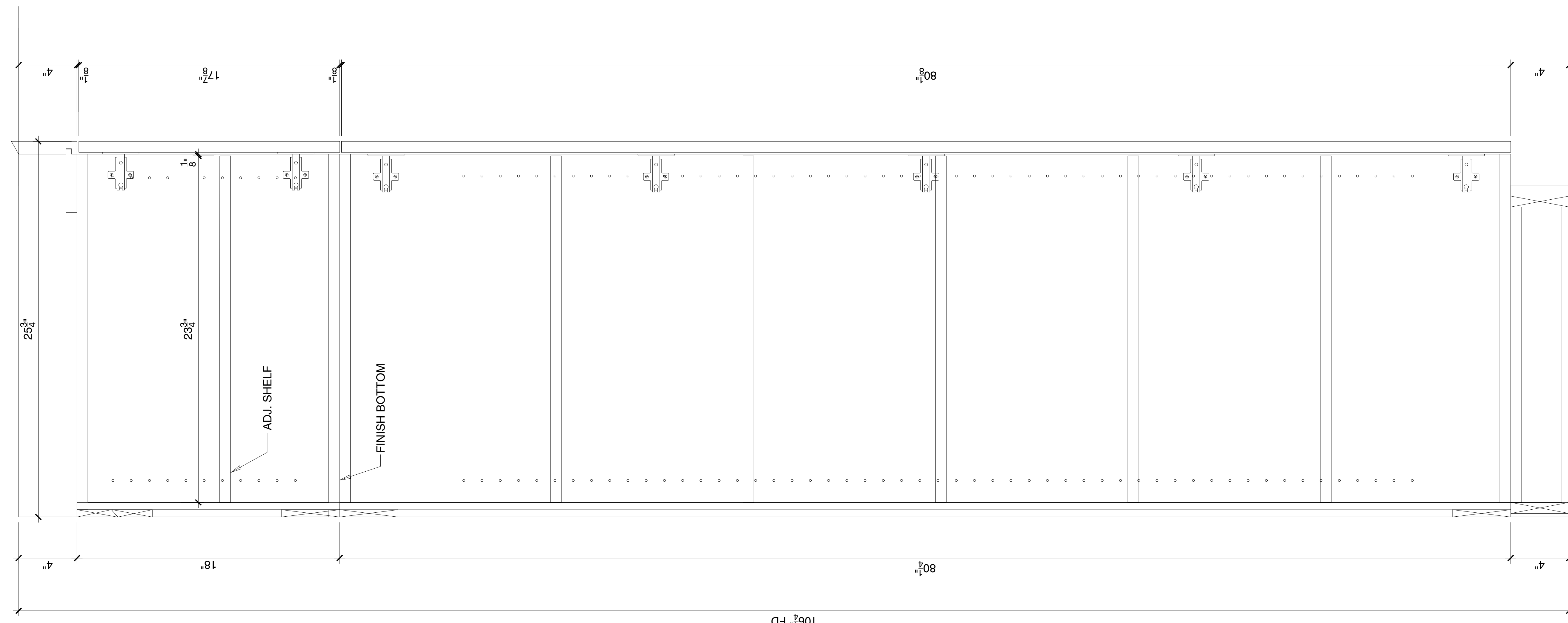


REVISIONS:
R1: 4/7/2020
R2: 4/21/2020
R3: 5/8/2020
TO SHOP:
JOB NO: 0007
DRAWN BY: HZ
DATE: 02/05/2020
SCALE: AS NOTED
SHEET NO.



106 1/4" FD

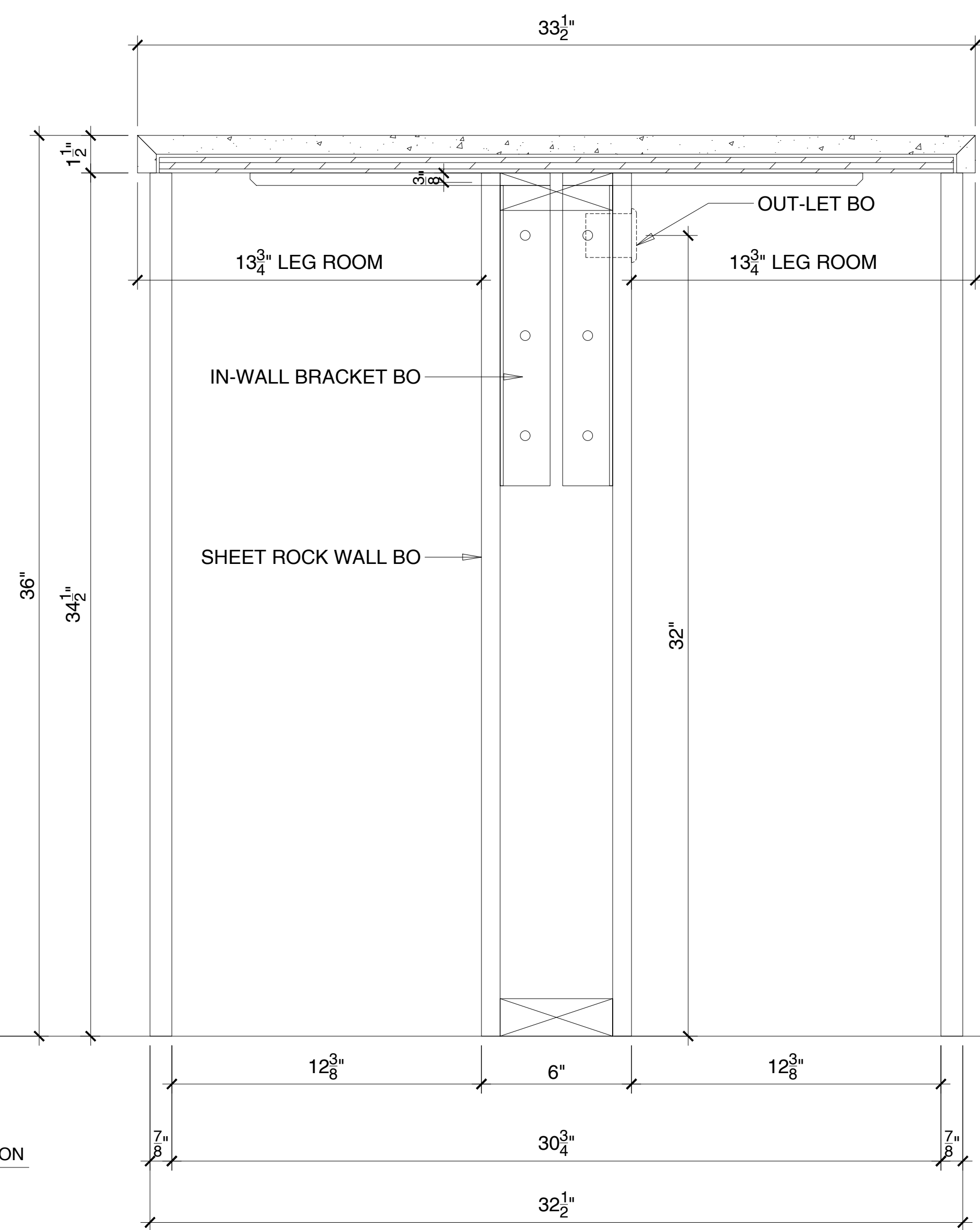
Q CROSS SECTION
3'-11.0"



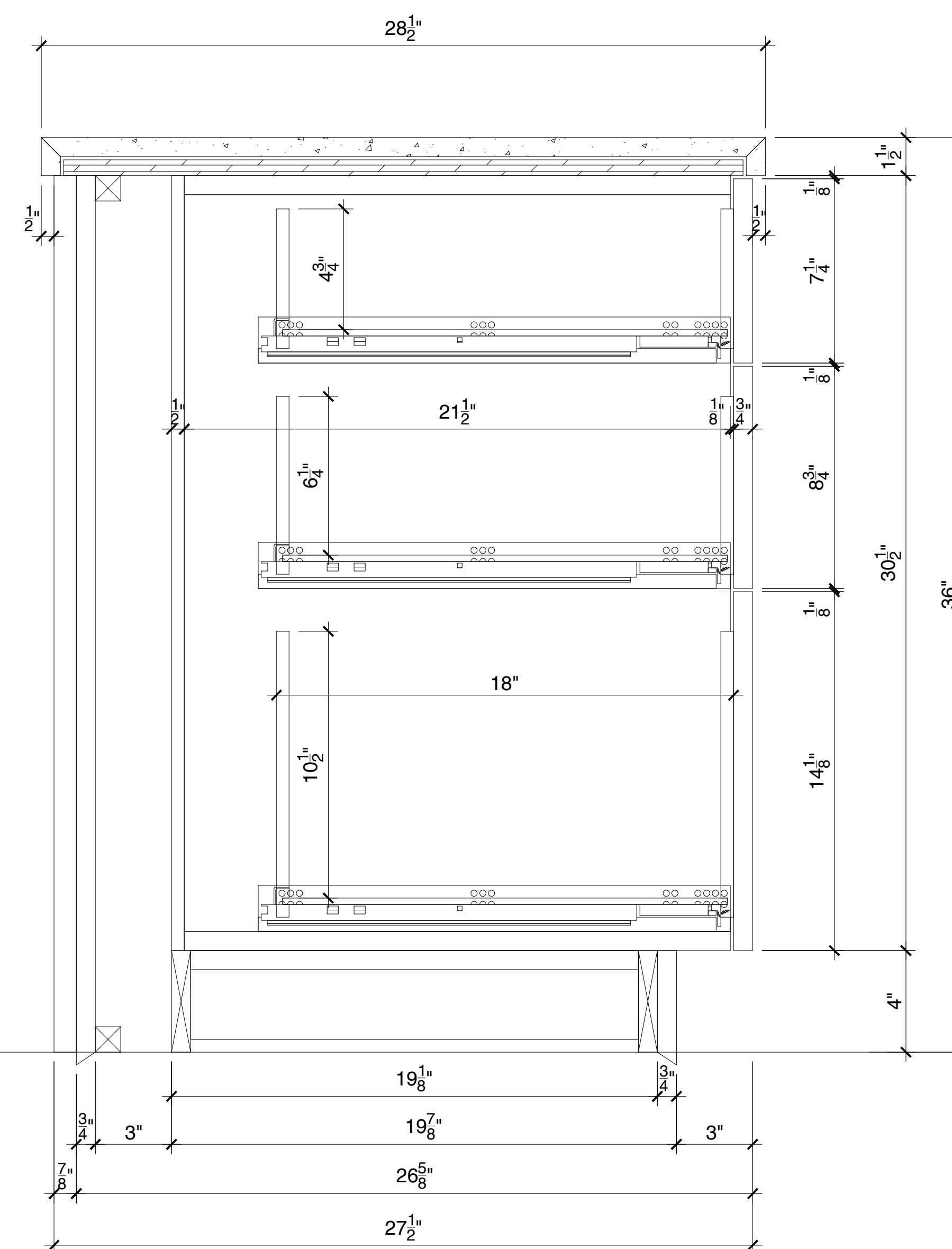
106 1/4" FD

P CROSS SECTION
3'-11.0"

REVISIONS:
R1:4/7/2020
R2:4/21/2020
R3:5/8/2020
TO SHOP:
JOB NO: 0007
DRAWN BY: HZ
DATE: 02/05/2020
SCALE: AS NOTED
SHEET NO.



R CROSS SECTION
3"-1'-0"



S CROSS SECTION
3"-1'-0"

REVISIONS:
R1:4/7/2020
R2:4/21/2020
R3:5/8/2020
TO SHOP:
JOB NO:
0007
DRAWN BY:
HZ
DATE:
02/05/2020
SCALE:
AS NOTED
SHEET NO.