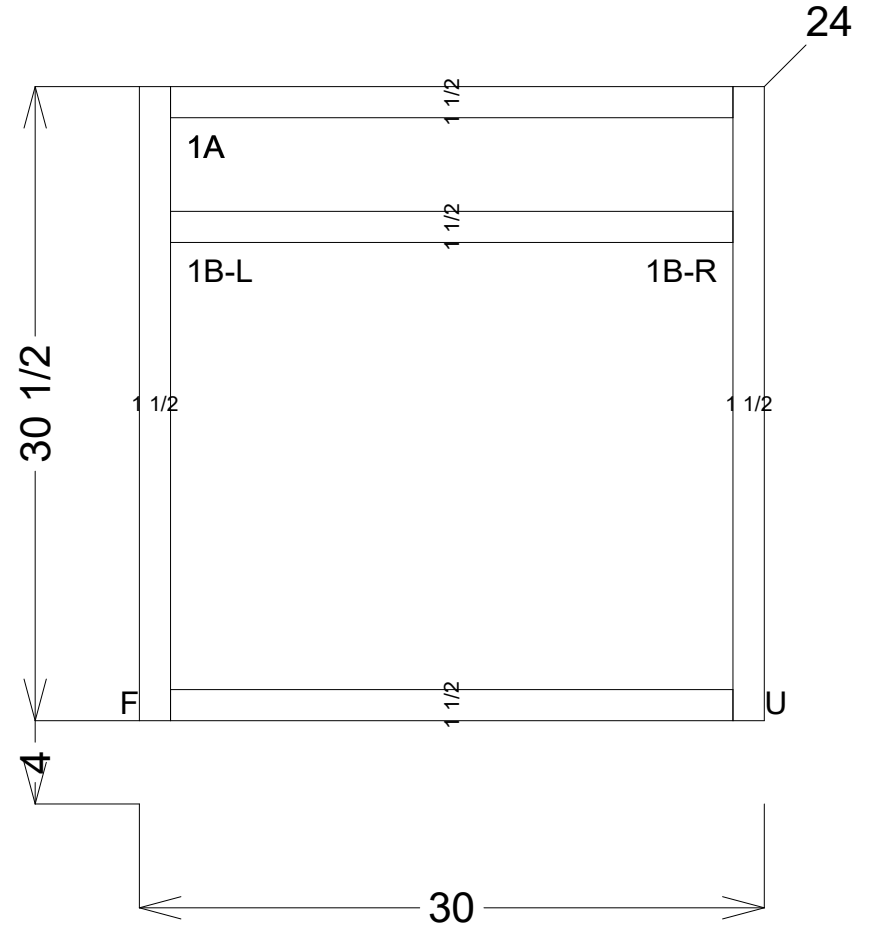


Frame

1	1 1/2	27	Bottom Rail	3/4 Solid Oak
1	1 1/2	30 1/2	Right Stile	3/4 Solid Oak
1	1 1/2	27	Top Rail	3/4 Solid Oak
1	1 1/2	30 1/2	Left Stile	3/4 Solid Oak
1	1 1/2	27	Mid Rail	3/4 Solid Oak

Assembly #1 - SP Std Base

30 x 34 1/2 x 24 (1)



Assembly #1 - SP Std Base

Face Frame

L. Stile = 1 1/2	L. Scribe = 0	R. Stile = 1 1/2	R. Scribe = 1/4
T. Scribe = 0	B. Scribe = 3/4		
Toe Height = 4	Toe Recess = 3		
Left End = Finished	Right End = Unfinished	Back = Unfinished	

Job

Default

Room #1 (Room 1) - Wall #1

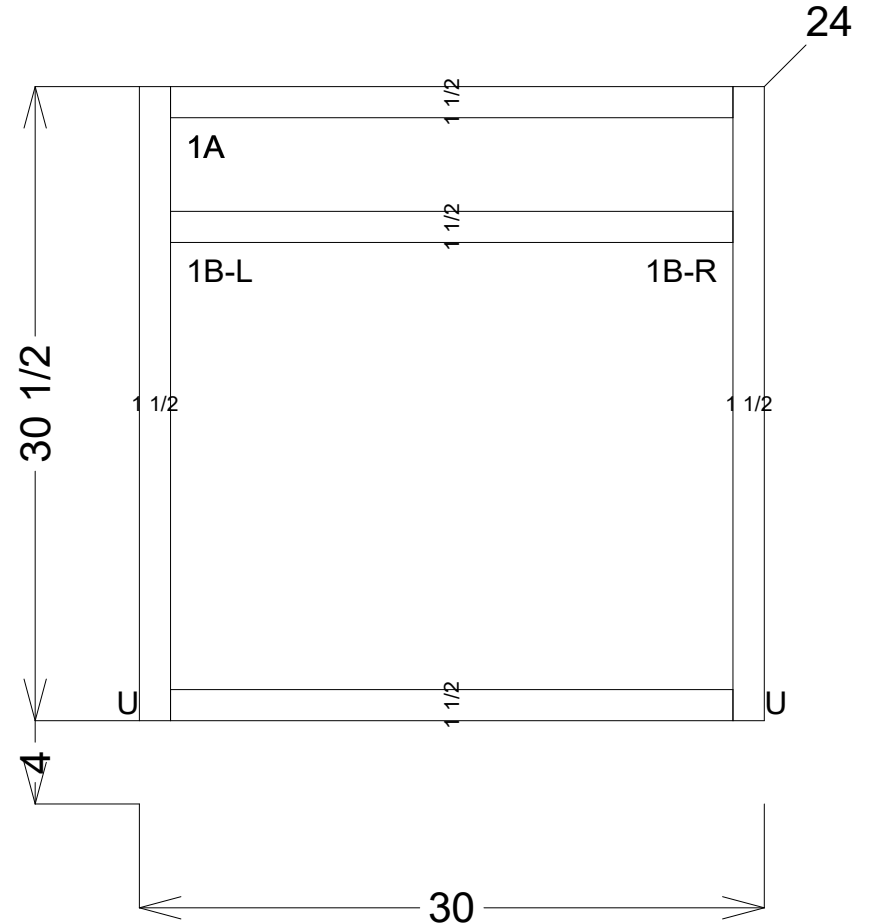
Date: 06/12/16

Frame

1	1 1/2	27	Bottom Rail	3/4 Solid Oak
1	1 1/2	30 1/2	Right Stile	3/4 Solid Oak
1	1 1/2	27	Top Rail	3/4 Solid Oak
1	1 1/2	30 1/2	Left Stile	3/4 Solid Oak
1	1 1/2	27	Mid Rail	3/4 Solid Oak

Assembly #2 - SP Std Base

30 x 34 1/2 x 24 (1)



Assembly #2 - SP Std Base

Face Frame

L. Stile = 1 1/2	L. Scribe = 1/4	R. Stile = 1 1/2	R. Scribe = 1/4
T. Scribe = 0	B. Scribe = 3/4		
Toe Height = 4	Toe Recess = 3		
Left End = Unfinished	Right End = Unfinished	Back = Unfinished	

Job

Default

Room #1 (Room 1) - Wall #1

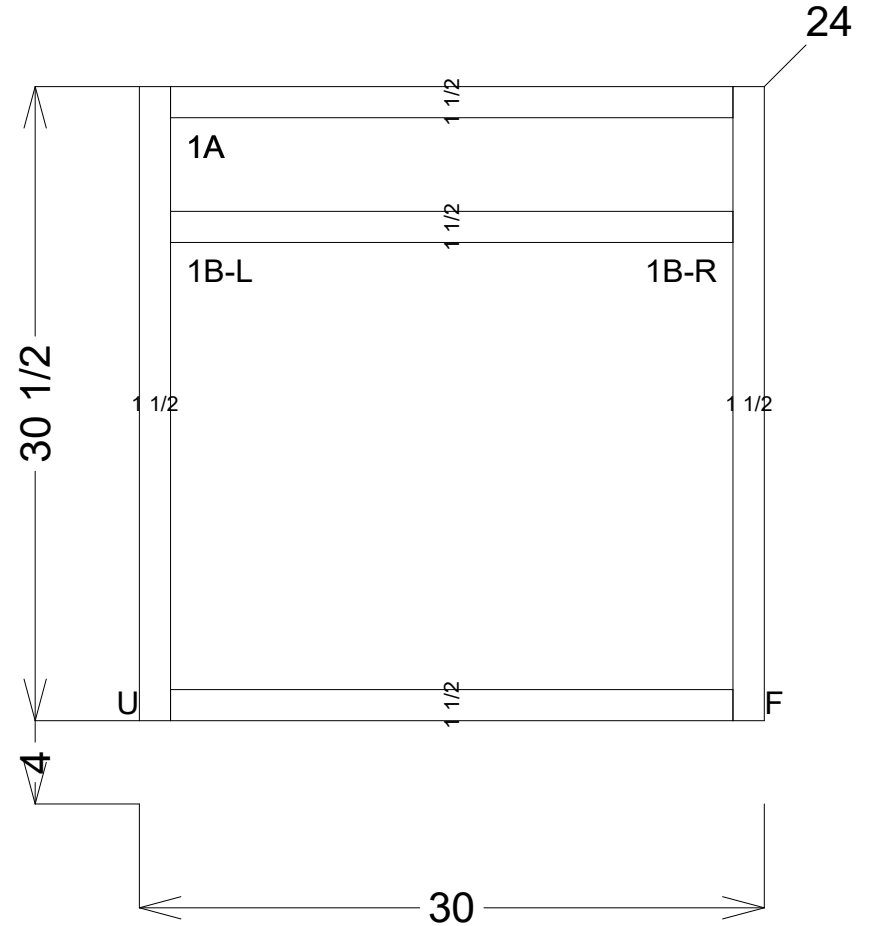
Date: 06/12/16

Frame

1	1 1/2	27	Bottom Rail	3/4 Solid Oak
1	1 1/2	30 1/2	Right Stile	3/4 Solid Oak
1	1 1/2	27	Top Rail	3/4 Solid Oak
1	1 1/2	30 1/2	Left Stile	3/4 Solid Oak
1	1 1/2	27	Mid Rail	3/4 Solid Oak

Assembly #3 - SP Std Base

30 x 34 1/2 x 24 (1)



Assembly #3 - SP Std Base

Face Frame

L. Stile = 1 1/2	L. Scribe = 1/4	R. Stile = 1 1/2	R. Scribe = 0
T. Scribe = 0	B. Scribe = 3/4		
Toe Height = 4	Toe Recess = 3		
Left End = Unfinished	Right End = Finished	Back = Unfinished	

Job

Default

Room #1 (Room 1) - Wall #1

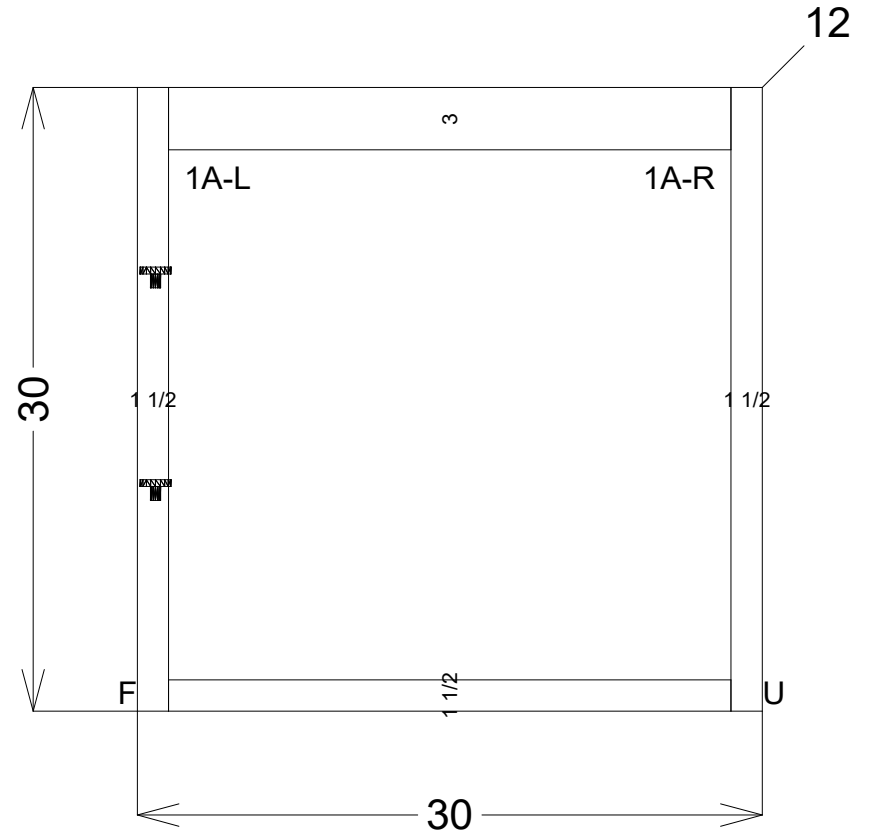
Date: 06/12/16

Frame

1	1 1/2	27	Bottom Rail	3/4 Solid Oak
1	1 1/2	30	Right Stile	3/4 Solid Oak
1	3	27	Top Rail	3/4 Solid Oak
1	1 1/2	30	Left Stile	3/4 Solid Oak

Assembly #4 - SP Std Upper

30 x 30 x 12 (1)



Assembly #4 - SP Std Upper

Face Frame

L. Stile = 1 1/2	L. Scribe = 0	R. Stile = 1 1/2	R. Scribe = 1/4
T. Scribe = 1	B. Scribe = 3/4		
Toe Height = 0	Toe Recess = 3		
Left End = Finished	Right End = Unfinished	Back = Unfinished	

Job

Default

Room #1 (Room 1) - Wall #1

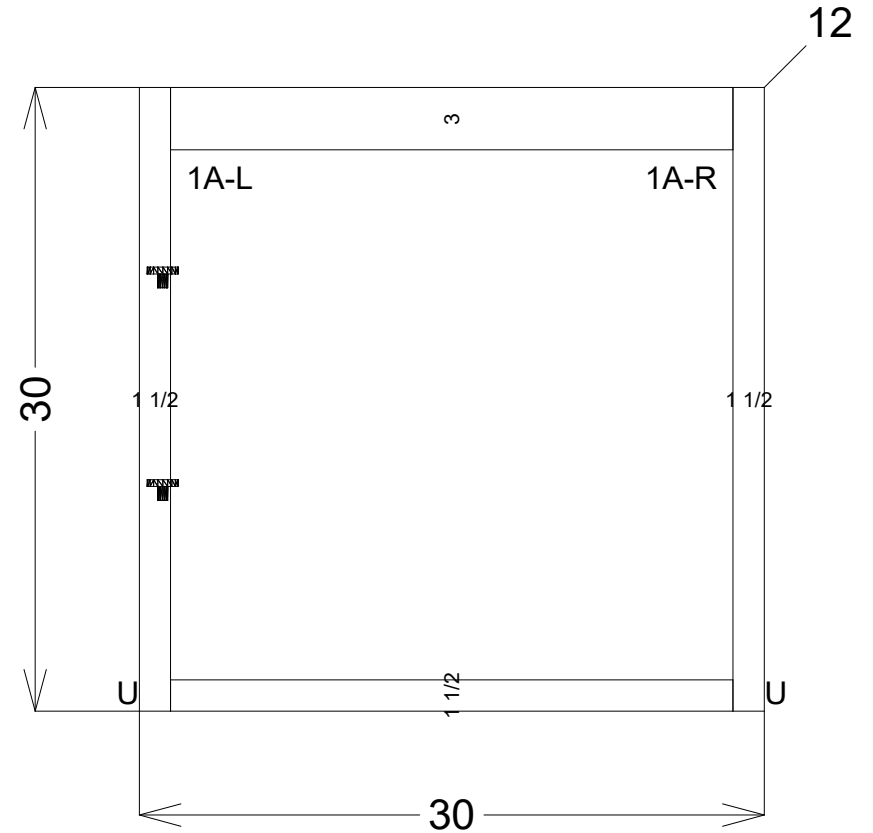
Date: 06/12/16

Frame

1	1 1/2	27	Bottom Rail	3/4 Solid Oak
1	1 1/2	30	Right Stile	3/4 Solid Oak
1	3	27	Top Rail	3/4 Solid Oak
1	1 1/2	30	Left Stile	3/4 Solid Oak

Assembly #5 - SP Std Upper

30 x 30 x 12 (1)



Assembly #5 - SP Std Upper

Face Frame

L. Stile = 1 1/2	L. Scribe = 1/4	R. Stile = 1 1/2	R. Scribe = 1/4
T. Scribe = 1	B. Scribe = 3/4		
Toe Height = 0	Toe Recess = 3		
Left End = Unfinished	Right End = Unfinished	Back = Unfinished	

Job

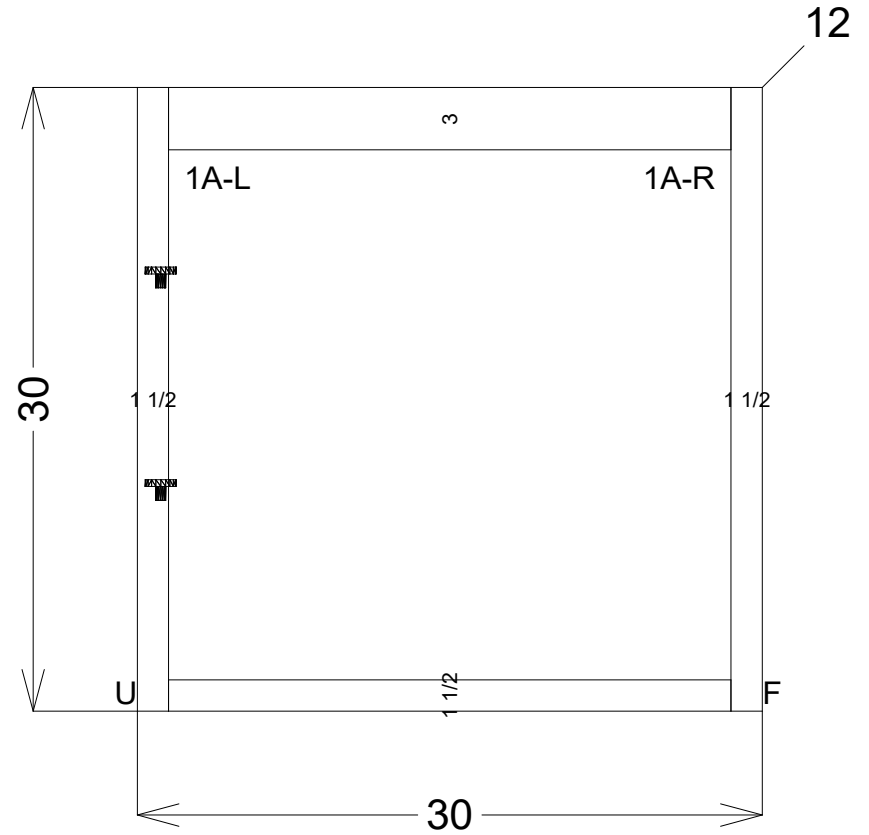
Default

Room #1 (Room 1) - Wall #1

Date: 06/12/16

Frame				
1	1 1/2	27	Bottom Rail	3/4 Solid Oak
1	1 1/2	30	Right Stile	3/4 Solid Oak
1	3	27	Top Rail	3/4 Solid Oak
1	1 1/2	30	Left Stile	3/4 Solid Oak

Assembly #6 - SP Std Upper
30 x 30 x 12 (1)



Assembly #6 - SP Std Upper

Face Frame

L. Stile = 1 1/2	L. Scribe = 1/4	R. Stile = 1 1/2	R. Scribe = 0
T. Scribe = 1	B. Scribe = 3/4		
Toe Height = 0	Toe Recess = 3		
Left End = Unfinished	Right End = Finished	Back = Unfinished	

Job

Default

Room #1 (Room 1) - Wall #1

Date: 06/12/16