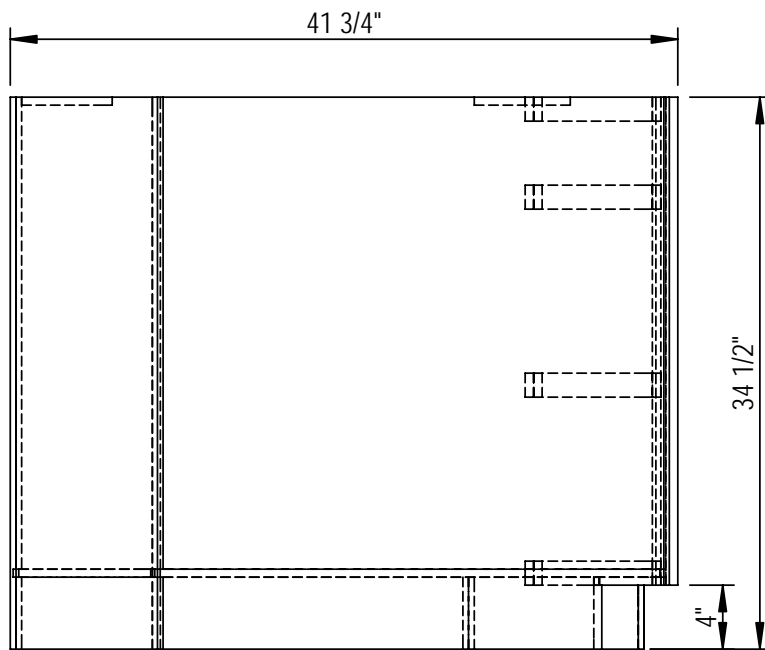
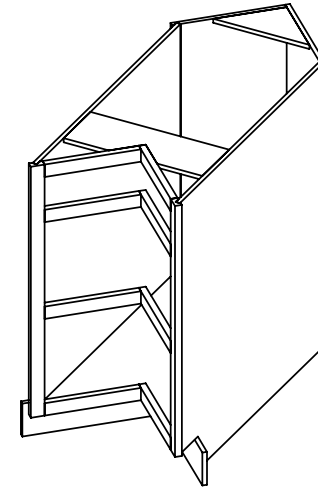
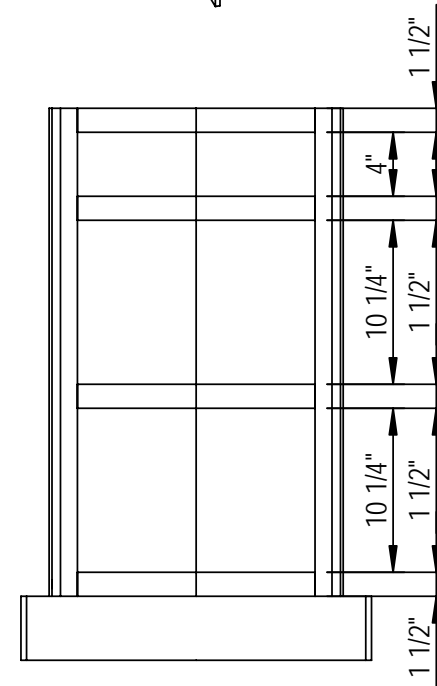


Plan view



Side elevation



Front elevation

Note: Frame config. can vary depending on desired drawer layout

Project: TANDEM 36" frame SPACE CORNER  
Construction A Overall cabinet views

Page 1/9

General Tolerance

Doc. Id.: MKT0242

Idx.: 00.aa

Scale

+/- 1/32

Drawn by: NH

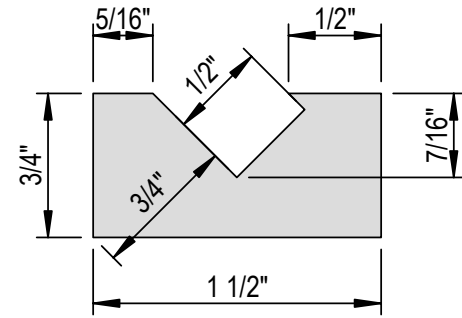
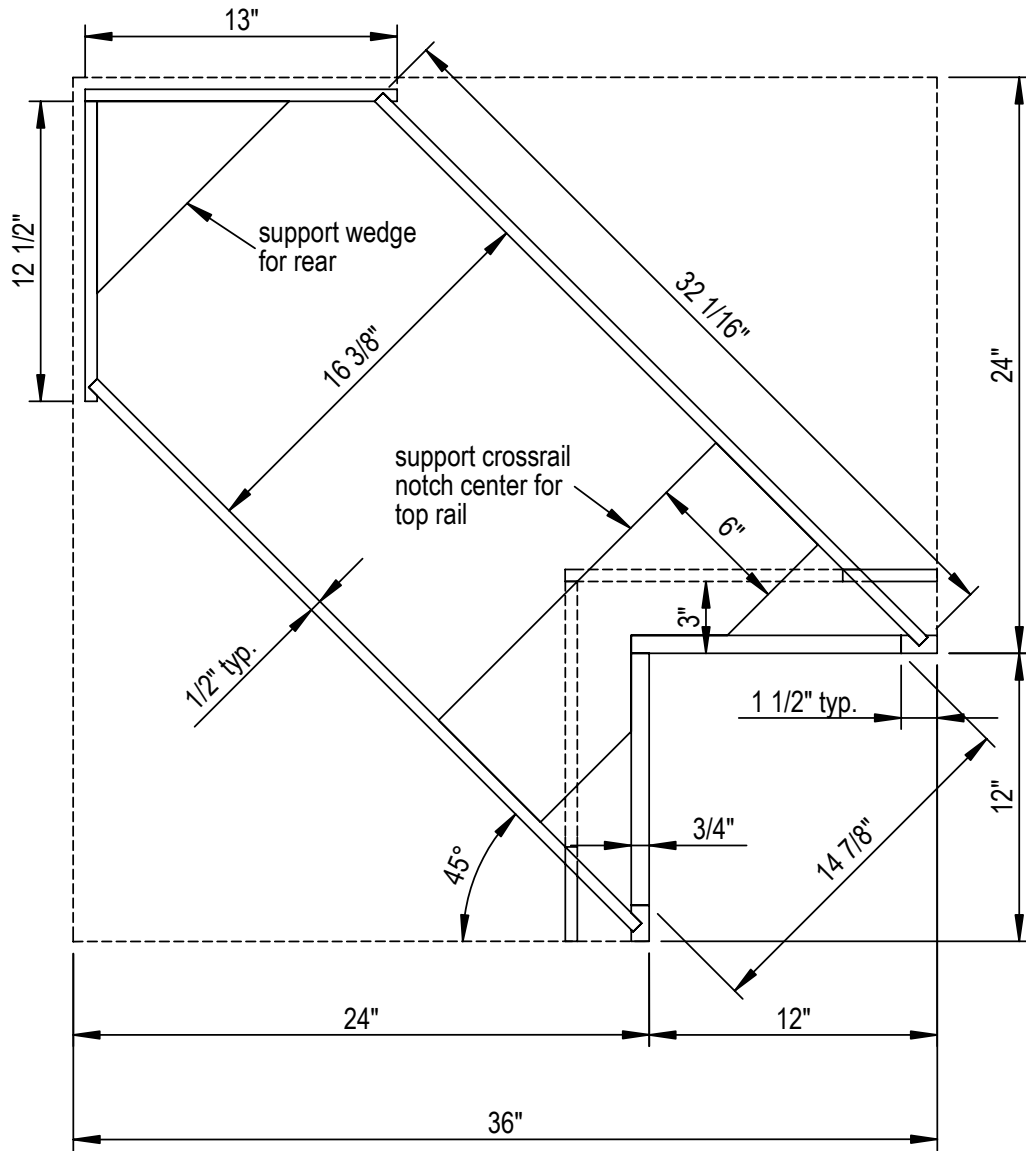
Date: 2/4/2006

1:12

The copying, distribution and utilization of this document as well as the communication of its contents to others without expressed authorization is prohibited. Offenders will be held liable for the payment of damages. All rights reserved in the event of the grant of a patent, utility model or ornamental design registration.

Blum, Inc.  
7733 Old Plank Rd.  
Stanley, NC 28164  
Phone 800-438-6788  
Fax 800-827-0799  
E-Mail: info@blum.us  
http://www.blum.us





**Face stile**

Project: TANDEM 36" frame SPACE CORNER  
Construction A Cabinet plan view

Page 2/9

General Tolerance

The copying, distribution and utilization of this document as well as the communication of its contents to others without expressed authorization is prohibited. Offenders will be held liable for the payment of damages. All rights reserved in the event of the grant of a patent, utility model or ornamental design registration.

Blum, Inc.  
7733 Old Plank Rd.  
Stanley, NC 28164  
Phone 800-438-6788  
Fax 800-827-0799  
E-Mail: info@blum.us  
http://www.blum.us



Doc. Id.: MKT0242

Idx.: 00.aa

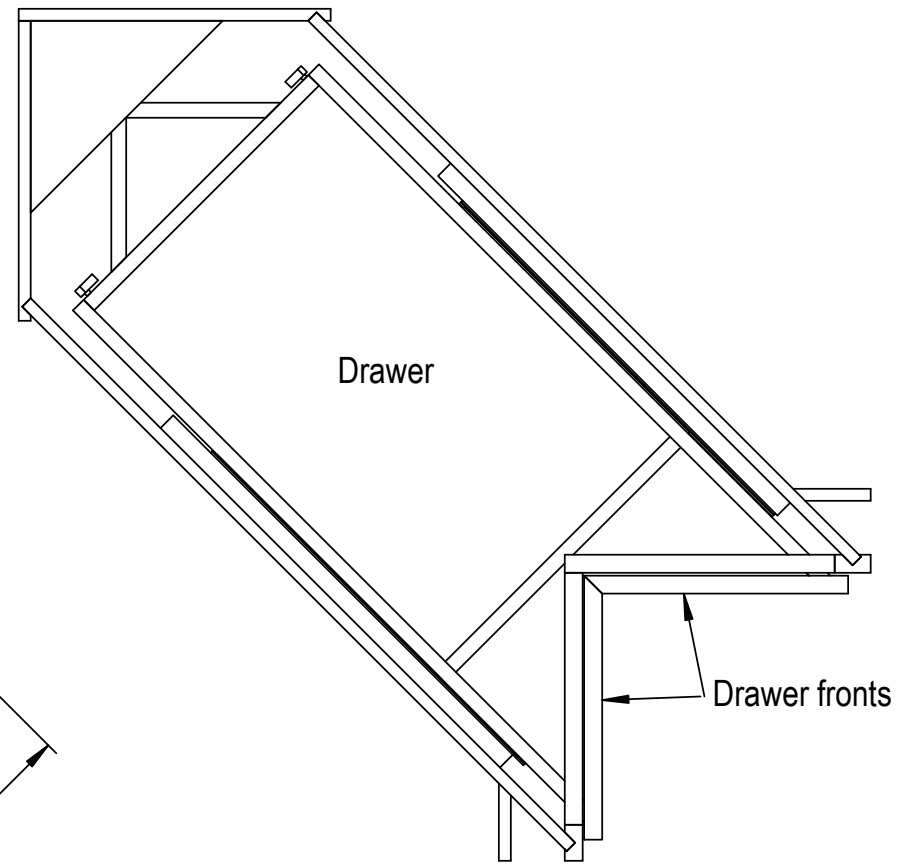
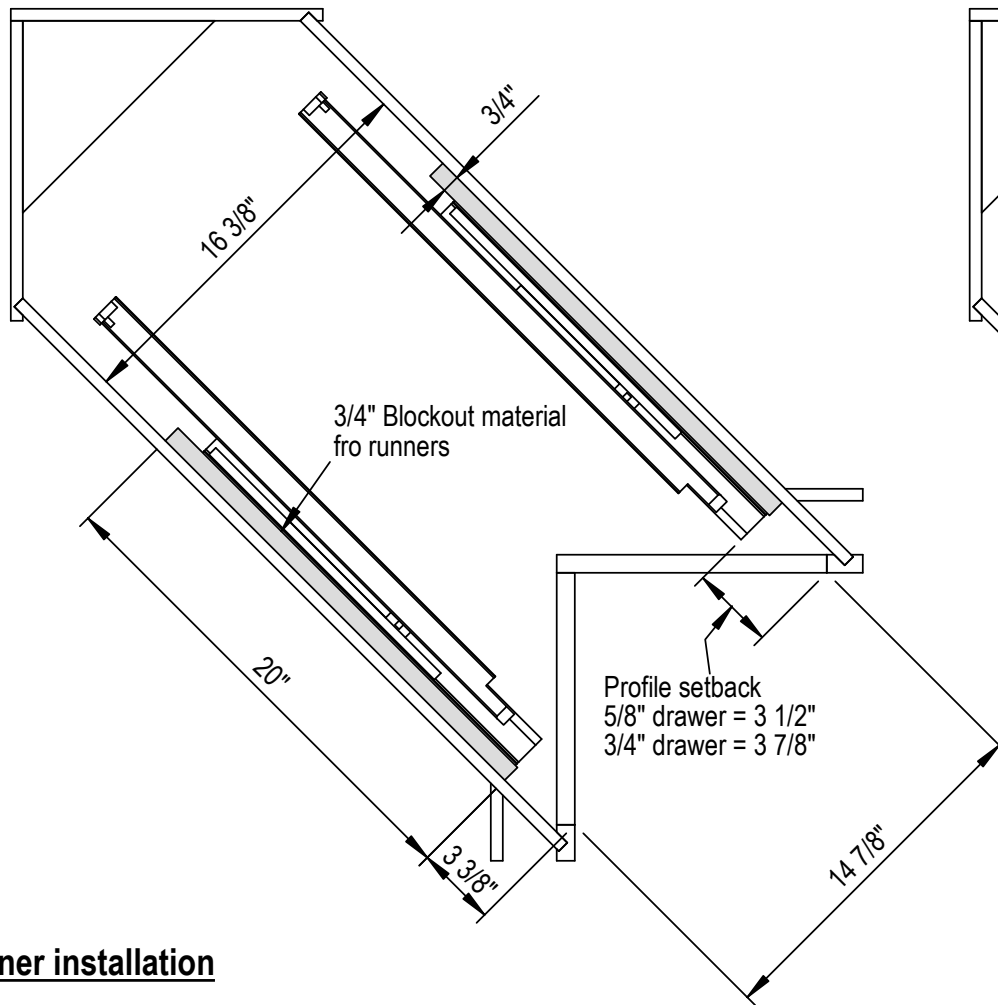
Scale

+/- 1/32

Drawn by: NH

Date: 2/4/2006

1:8



### Runner installation

### Drawer installation

TANDEM plus BLUMOTION  
27" (686mm) heavy duty full-extension  
runners

568.6860B for  $5/8''$  drawer side thk.  
568A6860B for  $3/4''$  drawer side thk.

Project: TANDEM 36" frame SPACE CORNER  
Construction A Runner installation

Page 3/9

General  
Tolerance

The copying, distribution and utilization of this document as well as the communication of its contents to others without expressed authorization is prohibited. Offenders will be held liable for the payment of damages. All rights reserved in the event of the grant of a patent, utility model or ornamental design registration.

Blum, Inc.  
7733 Old Plank Rd.  
Stanley, NC 28164  
Phone 800-438-6788  
Fax 800-827-0799  
E-Mail: info@blum.us  
http://www.blum.us



Doc. Id.: MKT0242

Idx.: 00.aa

Scale

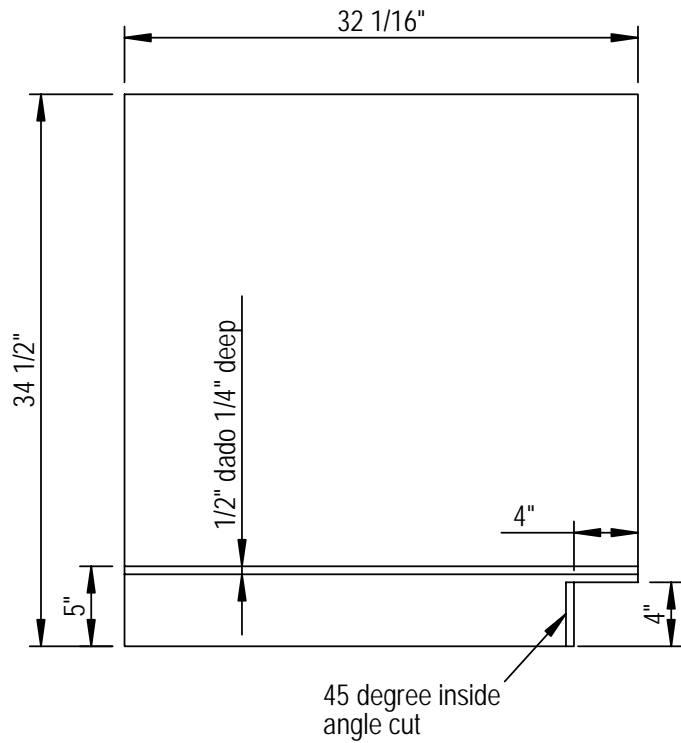
+/- 1/32

Drawn by: NH

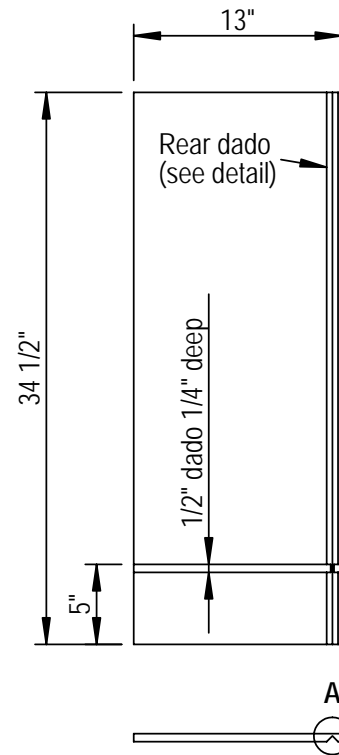
Date: 2/4/2006

1:8

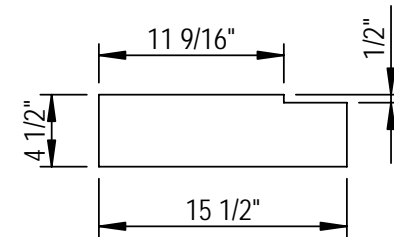
**Side panel**



**Back panel**

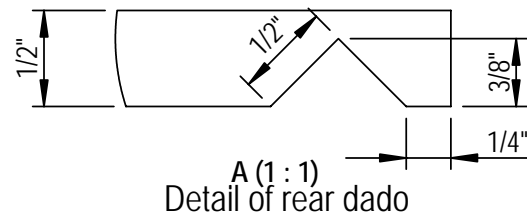


**RH toekick**



**Right side components**

1 ea. req'd  
(all panels 1/2" thk.)



Project: TANDEM 36" frame SPACE CORNER  
Construction A Cabinet panels

Page 4/9

General Tolerance

+/- 1/32

The copying, distribution and utilization of this document as well as the communication of its contents to others without expressed authorization is prohibited. Offenders will be held liable for the payment of damages. All rights reserved in the event of the grant of a patent, utility model or ornamental design registration.

Doc. Id.: MKT0242

Idx.: 00.aa

Scale

1:12

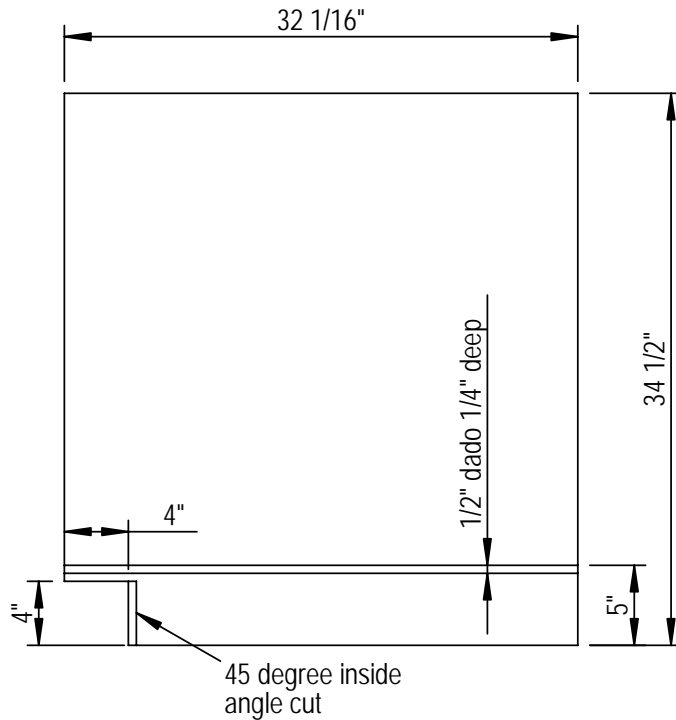
Drawn by: NH

Date: 2/4/2006

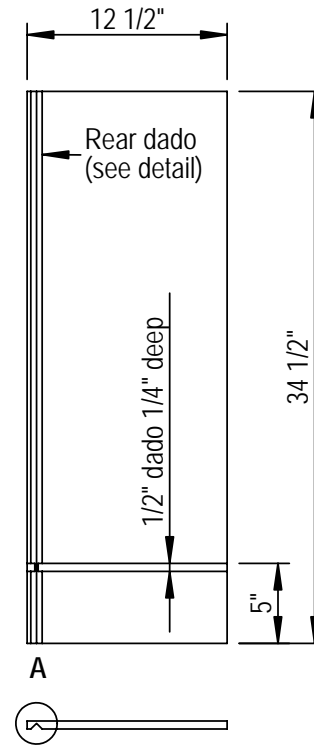
Blum, Inc.  
7733 Old Plank Rd.  
Stanley, NC 28164  
Phone 800-438-6788  
Fax 800-827-0799  
E-Mail: info@blum.us  
http://www.blum.us



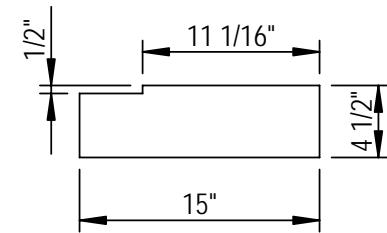
Side panel



Back panel

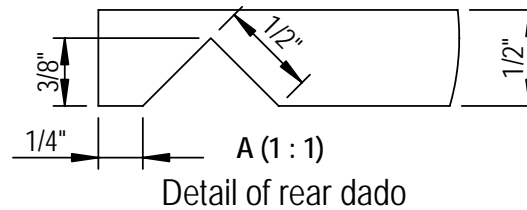


LH toekick



Left side components

1 ea. req'd  
(all panels 1/2" thk.)



Project: TANDEM 36" frame SPACE CORNER  
Construction A Cabinet panels

Page 5/9

General Tolerance

The copying, distribution and utilization of this document as well as the communication of its contents to others without expressed authorization is prohibited. Offenders will be held liable for the payment of damages. All rights reserved in the event of the grant of a patent, utility model or ornamental design registration.

Blum, Inc.  
7733 Old Plank Rd.  
Stanley, NC 28164  
Phone 800-438-6788  
Fax 800-827-0799  
E-Mail: info@blum.us  
http://www.blum.us



Doc. Id.: MKT0242

Idx.: 00.aa

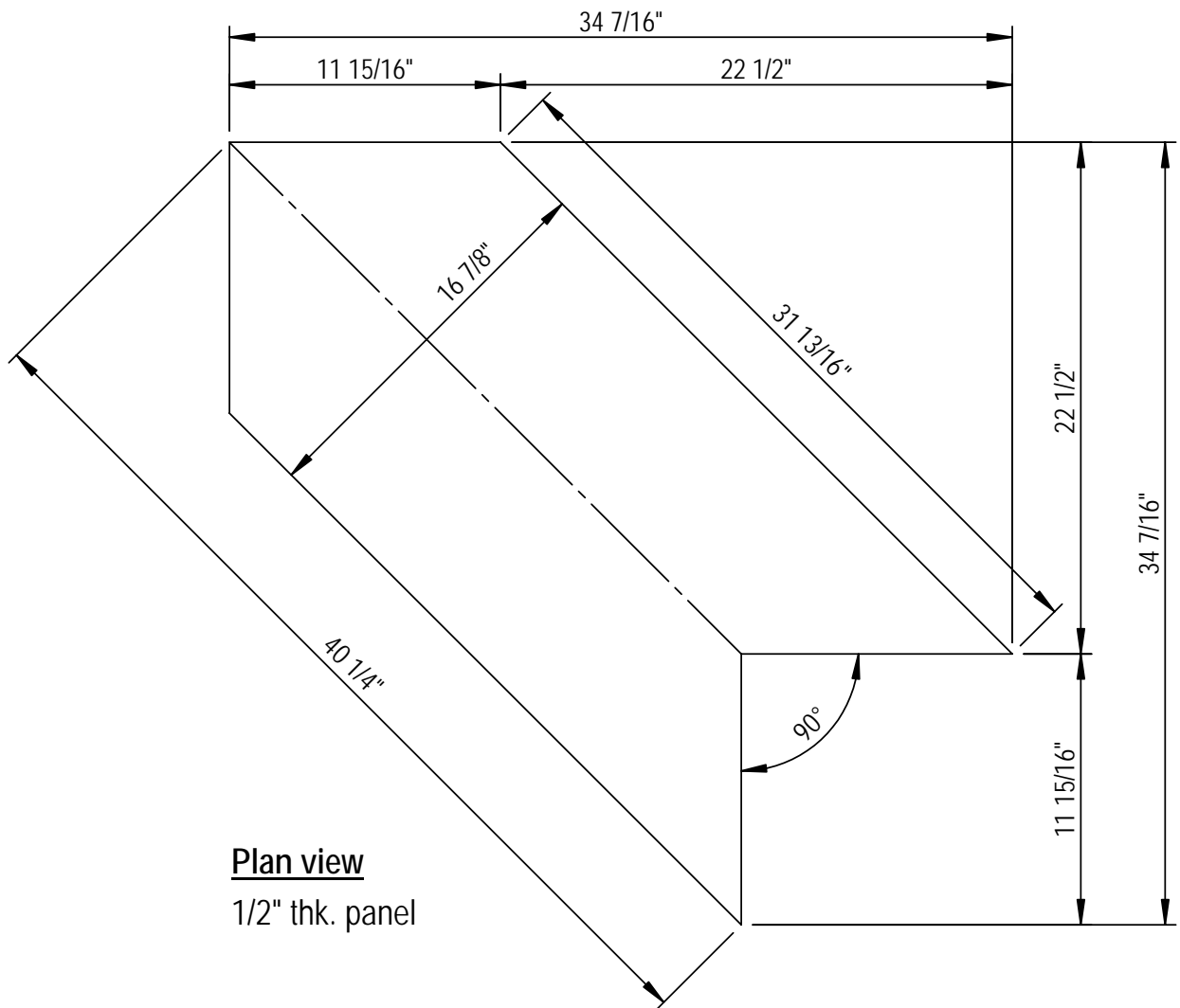
Scale

+/- 1/32

Drawn by: NH

Date: 2/4/2006

1:12



**Plan view**  
1/2" thk. panel

Project: TANDEM 36" frame SPACE CORNER  
Construction A Cabinet bottom panel

Page 6/9

General Tolerance

The copying, distribution and utilization of this document as well as the communication of its contents to others without expressed authorization is prohibited. Offenders will be held liable for the payment of damages. All rights reserved in the event of the grant of a patent, utility model or ornamental design registration.

Blum, Inc.  
7733 Old Plank Rd.  
Stanley, NC 28164  
Phone 800-438-6788  
Fax 800-827-0799  
E-Mail: info@blum.us  
http://www.blum.us



Doc. Id.: MKT0242

Idx.: 00.aa

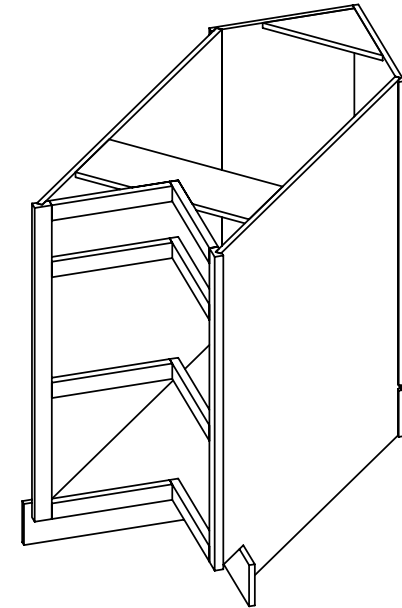
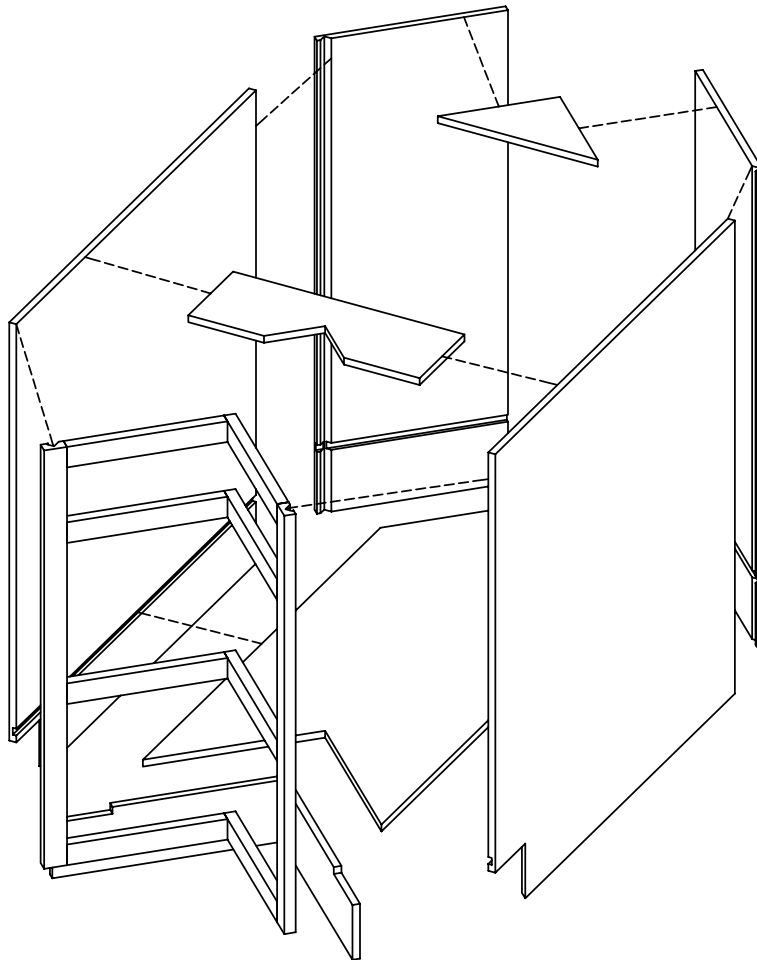
Scale

+/- 1/32

Drawn by: NH

Date: 2/4/2006

1:8



Project: TANDEM 36" frame SPACE CORNER  
Construction A Exploded cabinet view

Page 7/9

General Tolerance

The copying, distribution and utilization of this document as well as the communication of its contents to others without expressed authorization is prohibited. Offenders will be held liable for the payment of damages. All rights reserved in the event of the grant of a patent, utility model or ornamental design registration.

Blum, Inc.  
7733 Old Plank Rd.  
Stanley, NC 28164  
Phone 800-438-6788  
Fax 800-827-0799  
E-Mail: info@blum.us  
http://www.blum.us



Doc. Id.: MKT0242

Idx.: 00.aa

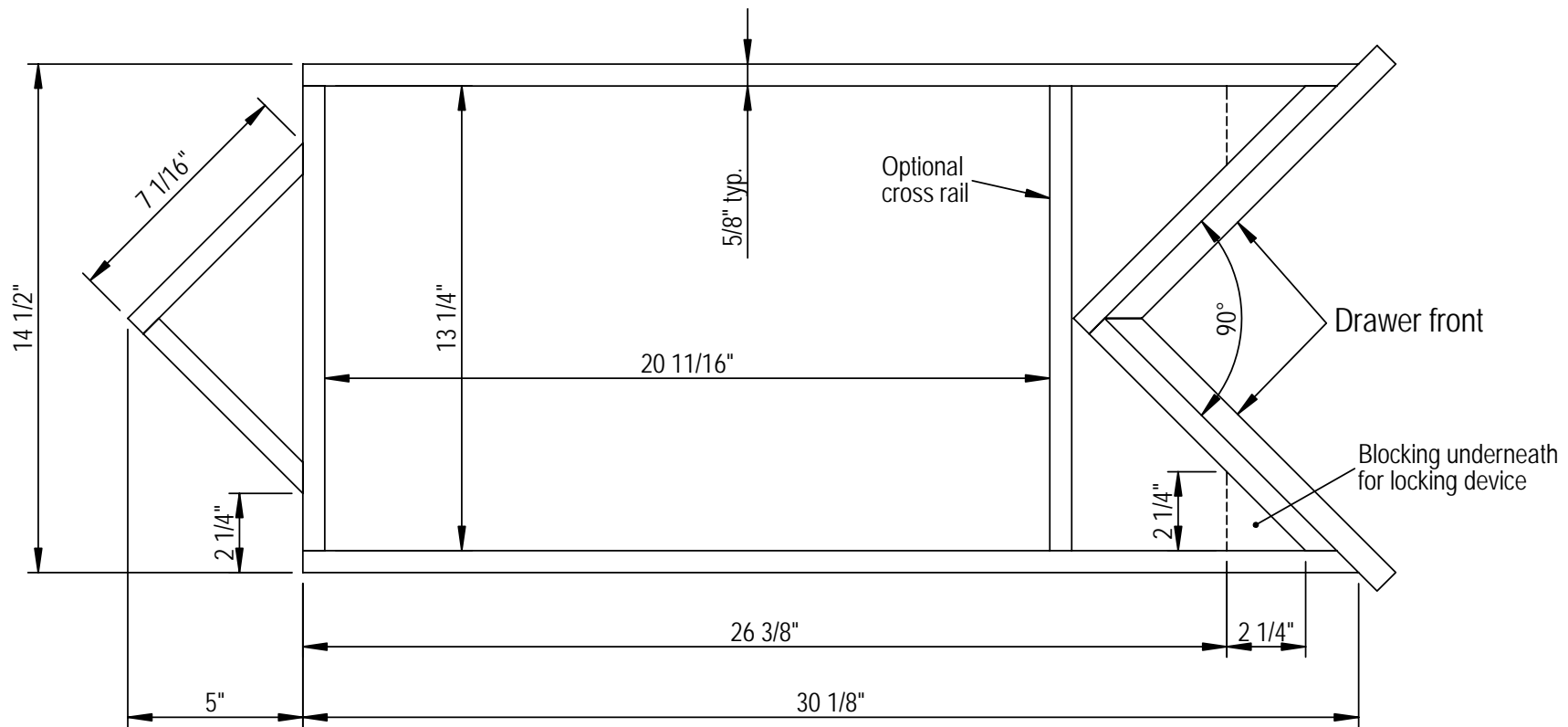
Scale

+/- 1/32

Drawn by: NH

Date: 2/4/2006

1:12



**Plan view**

For use with TANDEM 568.6860B runner

Project: TANDEM 36" frame SPACE CORNER  
Construction A 5/8" drawer

Doc. Id.: MKT0242

Idx.: 00.aa

Drawn by: NH

Date: 2/4/2006

Page 8/9

Scale  
1:5

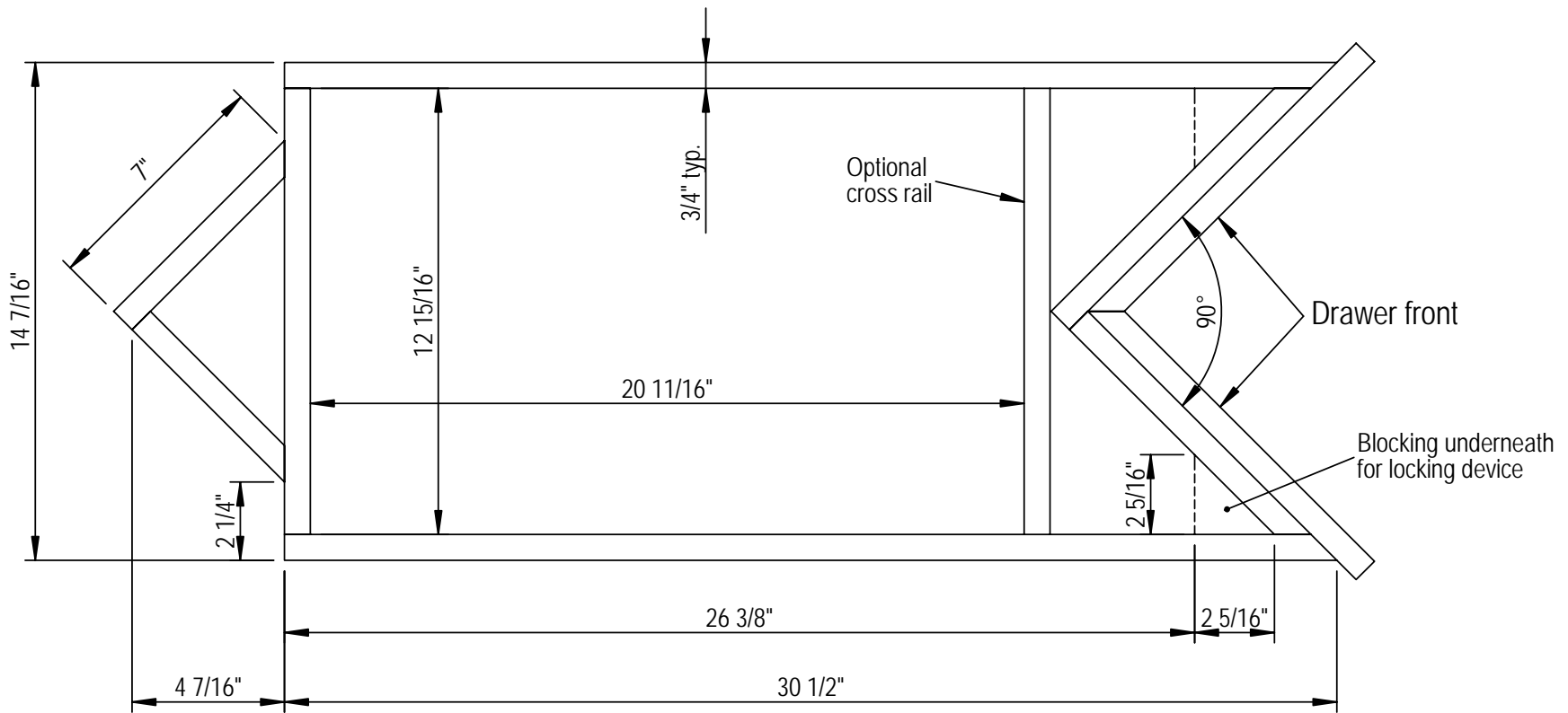
General  
Tolerance  
+/- 1/32

The copying, distribution and utilization of this document as well as the communication of its contents to others without expressed authorization is prohibited. Offenders will be held liable for the payment of damages. All rights reserved in the event of the grant of a patent, utility model or ornamental design registration.

Blum, Inc.  
7733 Old Plank Rd.  
Stanley, NC 28164  
Phone 800-438-6788  
Fax 800-827-0799  
E-Mail: info@blum.us  
http://www.blum.us







**Plan view**

For use with TANDEM 568A6860B runner

Project: TANDEM 36" frame SPACE CORNER  
Construction A 3/4" drawer

Doc. Id.: MKT0242

Drawn by: NH

Idx.: 00.aa

Date: 2/4/2006

Page 9/9

Scale

1:5

General Tolerance

+/- 1/32

The copying, distribution and utilization of this document as well as the communication of its contents to others without expressed authorization is prohibited. Offenders will be held liable for the payment of damages. All rights reserved in the event of the grant of a patent, utility model or ornamental design registration.

Blum, Inc.  
7733 Old Plank Rd.  
Stanley, NC 28164  
Phone 800-438-6788  
Fax 800-827-0799  
E-Mail: info@blum.us  
http://www.blum.us

