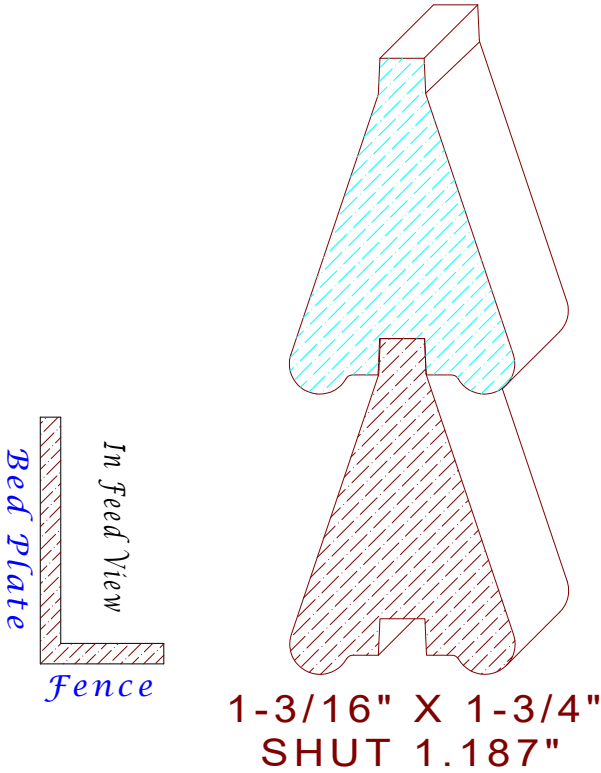
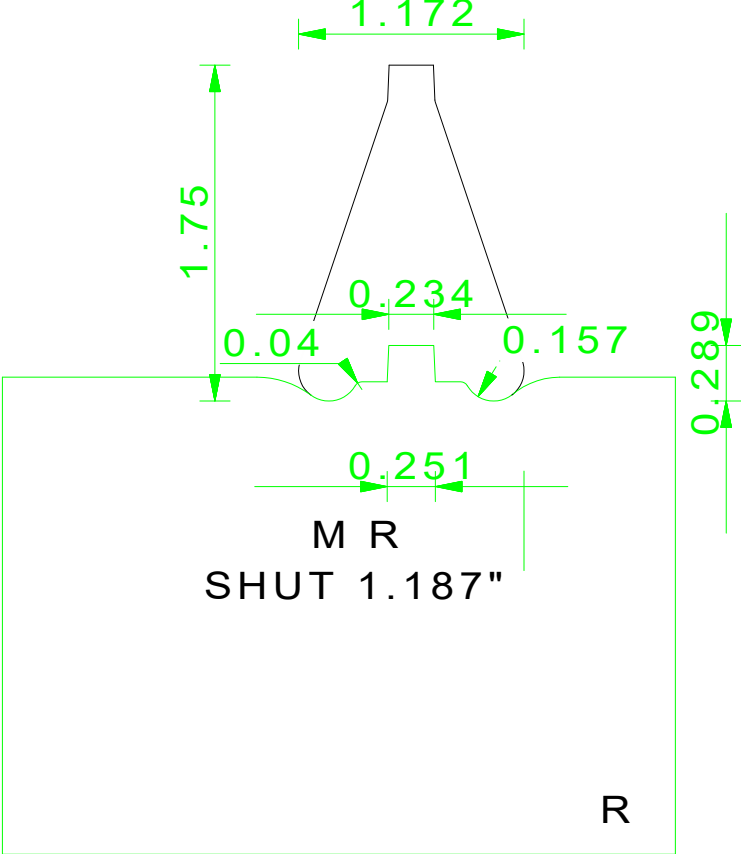


Custom Pressure Shoe Recommended



Carbide size = 60mm long (2.375") x 50mm wide (2.000")

Cut steel size @ 1.937"L X 1.750"W

PLEASE SIGN OR MAKE CORRECT CHANGES.  -----

KNIFE GRIND NEEDED ? Yes No Please Circle One Choice

Customer M R	Scale FULL	Part # SHUT 1.187"	Date 01-20-2012	Priority Overnight	FedEX Standard Overnight	2 Day	UPS Red Blue Ground
------------------------	----------------------	------------------------------	---------------------------	------------------------------	---------------------------------------	--------------	-------------------------------